



PERFORMANCE ADVANTAGE COMPANY

2023 FIRE & EMS INDUSTRY CATALOG



TOOL MOUNTING SYSTEMS
PACTOOLMOUNTS.COM

LAW ENFORCEMENT - MILITARY - LANDSCAPING - UTILITY - TOWING & RACING



**OUR COMMITMENT TO THE TEAM
APPROACH INCLUDES YOU,
OUR NUMBER ONE PRIORITY.**

**PERFORMANCE
ADVANTAGE
COMPANY**

We take pride in being YOUR FIRST CHOICE for proper, safe and efficient tool mounting!



Sales & Customer Service Team:

Tom Trzepacz

Lori Sutch

Tammy Trzepacz

Dawn Aldinger

Mike McGuire

Greg Young

Shop Staff:

Dan Snyder

Kim Smith

Eric Koeth,

Jerry Enser

Marissa Enser

Eric Adolf,

Robyn D'Amico

Jon Koslicki

Camera Shy: Dan Kruk



TRADITION - SAFETY - VALUE

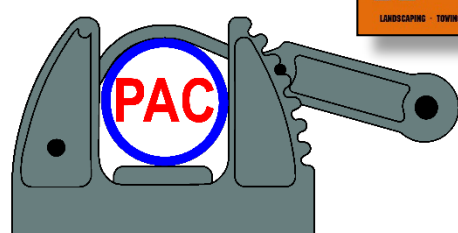
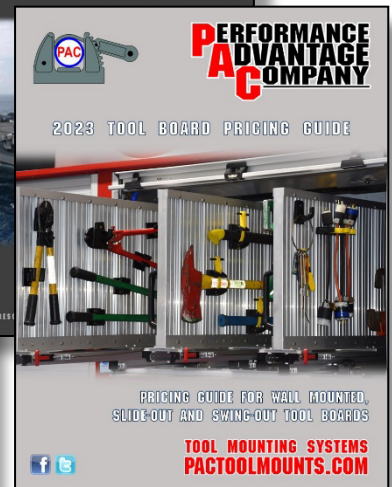
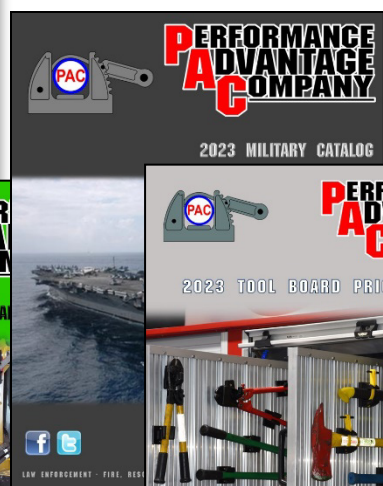
TRADITION - SAFETY - VALUE

In the past 25 years PAC has grown from the basement of company founder Dick Young to an operation with over 600 points of distribution in North America and sales in 30 countries around the globe. All this based on the concept of offering Top Quality products combined with the very best Customer Service. The cornerstone of all this is based on our outstanding staff members. They are committed to giving our customers the very best in assistance and overall customer service.

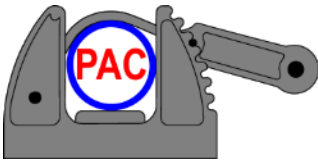
Our history of innovation and our collective experience guide PAC to create products to outlast and outperform. You can expect high quality and value when purchasing PAC products. We are highly recognized in the industries we serve for our attention to detail and overall customer service. Additionally, PAC products are tested to the highest standards and many of our products are compliant with National Fire Protection Association (NFPA) 1901 standards and MIL-S901D military shock specifications. And PAC offers a LIMITED LIFETIME WARRANTY! If any PAC product fails under normal use it is replaced, free of charge.

In recent years we have grown beyond the Fire Market. We have applied our tool mounting knowledge to customers in Law Enforcement, Towing and Tow Vehicles, Homeland Security, Public Utility and the Green Industry, too. Check us out today!!

For PAC Brackets - Contact us to request one of our Market Specific Catalogs!



PACTOOLMOUNTS.COM



To All PAC Dealers, Distributors and Customers -

Once again, we extend our gratitude to all our supporters around the world! We are here for those who rely on the exceptional quality, customer service and timeliness; the first responders and dealers and installers of PAC products.

Our staff is here to support first responders and all our partners around the world. Let us help with product selection or a custom tool board design!

Did you know? PAC is rooted in the U.S. fire industry, but our users span several additional industries in over 30 countries. Other markets include law enforcement, landscaping, and towing – you may find our various industry catalogs enlightening and we encourage you to check our website for all our literature.

We also work directly with other business (B2B). Our OEM specific solutions deliver on quality, speed to market and reduced overhead allowing these specialty manufacturers to focus on what they do best. Manufacturers are encouraged to call us and find out what PAC can do for your business!

PAC will continue to stand out in the industry by maintaining stock levels that allow us to serve our customers quickly. My Grandfather and company founder, Dick Young, had extensive experience building fire apparatus. As a manufacturer intertwined with the fire industry, PAC continues to hold - as the cornerstone of our business - the values that which our founder built this business upon. As of this edition, few product shortages exist! Please call us with any concerns on availability.

We are implementing a modest price increase, effective 01/01/2023. New price sheets are available and have been sent out; please contact us if you need one.

Finally, I am very excited to show you how PAC is growing on all levels! In addition to updating our ERP system, we have great advancements coming in terms of how we communicate via our website. Our new Marketing Director, DJ Kuenzi, is helping us on many levels. He is eager to meet and support the marketing efforts of our partner companies, enabling us to grow stronger together!

Greg Young
VP, Performance Advantage Co.

TESTING AND CERTIFICATION

A variety of PAC products are tested and certified to meet and exceed the NFPA 1901 9G impact standard. PAC's NFPA Compliant products have been Tested and certified at the Akron Rubber Development Laboratory, Akron, Ohio.

For a list of our 9G Certified Products
or a copy of PAC's Certificate of Compliance,
please contact us at 888-514-0083.



PAC REGULARLY DISPLAYS OUR PRODUCT LINES AT THE TOP INDUSTRY SHOWS! SOMETIMES WE JUST GO TO SHOWS TO MEET PEOPLE LIKE YOU. PAC PRODUCTS CAN ALSO BE SEEN AT THE BOOTHS OF OUR DEALERS AND CUSTOMERS. IF YOU WANT MORE INFORMATION ABOUT SEEING PAC IN PERSON OR BECOMING A PAC DEALER, PLEASE CALL 888-514-0083!

FIRE, RESCUE & EMS

LAW ENFORCEMENT - MILITARY - LANDSCAPING - UTILITY - TOWING & RACING



PRODUCT INDEX

Brackets & Kits - Positive and Friction Locking

Handlelok	P/N 1004	p. 6
Jumbo Lok	P/N 1070	p. 6
Fastlok Adjust. Kit - Standard	P/N K5020	p. 7
Fastlok Adjust. Kit - Long	P/N K5020L	p. 7
Adjustamount Kit - Short	P/N K5006S	p. 8
Adjustamount Kit - Standard	P/N K5006	p. 8
Adjustamount Kit - Long	P/N K5006L	p. 8
Adjustamount Kit – Short HD	P/N K5006HDS	p. 9
Adjustamount Kit – Standard HD	P/N K5006HD	p. 9
Adjustamount Kit – Long HD	P/N K5006HDL	p. 9
Super Adjust. Kit - Short	P/N K5050S	p. 10
Super Adjust. Kit - Standard	P/N K5050	p. 10
Super Adjust. Kit - Long	P/N K5050L	p. 10
Super Adjust. Kit – Short HD	P/N K5050HDS	p. 11
Super Adjust. Kit – Standard HD	P/N K5050HD	p. 11
Super Adjust. Kit – Long HD	P/N K5050HDL	p. 11
Mini Loks	P/N 1101-	p. 12
Hooklok	P/N 1001	p. 12
Toolok-HD	P/N 1003-HD	p. 13
Grip Mount	P/N 1085	p. 13
Super Flex	P/N K5103-	p. 15
Coil-Lok	P/N 1021	p. 15
Stow-N-Loks	P/N 1005 (S)	p. 16
Flexmounts HD	P/N 1002(S)HD	p. 17

Brackets - Hangers, Hooks and Stabilizing

GM Hook	P/N 1028	p. 18
Mini Hook	P/N 1110	p. 18
Loop Hook	P/N 1027	p. 19
Universal Hanger	P/N 1019	p. 19
Hookmount	P/N 1029	p. 20
Tie Down Mount Kit	P/N K3021	p. 20
Tie Down Mount – Double Shackles	P/N K3021-D	p. 20
Pole Mounts	P/N 1048-1-	p. 21
Universal Mount	P/N 1007-3	p. 21

Cylinder/Container Family

Utility Pocket	P/N 1116	p. 22
Gas & Oil Mounts	P/N 1041-	p. 22
Cylinder Mounts	P/N 1043-	p. 23
Rectangular Mounts	P/N 1046-	p. 24
Can Mounts	P/N 1048-4-	p. 24

Brackets & Kits - Tool Specific

Universal Saw Kit	P/N K5030	p. 25
Halligan Tool Mount Kit	P/N K5032	p. 25
Ironslok	P/N K5003	p. 26
Ironslok-HD	P/N K5003-HD	p. 26
Storz 4, 5 & 6" Loks	P/N 1040-	p. 27
Adapter Loks 1-1/2" - 2"	P/N 1042-	p. 28
Extinguisher Mounts	P/N K5043-	p. 29
Bolt Cutter Kit	P/N K5029-1	p. 29
Tool Hanger Kit	P/N K5009	p. 30
Sledge Hanger/Pocket Kit (8-12#)	P/N K5010-12	p. 30
Flathead Axe Hanger/Pocket Kit	P/N K5011	p. 31
Pickhead Axe Hanger/Pocket Kit	P/N K5012	p. 31
Spanner/Hydrant Wrench Mount	P/N K5016	p. 32
Vent Saw Kit	P/N K5025	p. 33

Brackets & Kits - Heavy Rescue Tool Mounting

Strut Base Mount	P/N 2076	p. 34
Strut Mount Kit	P/N K1022	p. 34
Heavy Rescue Mt. Kit Fastlok	P/N K5035FL	p. 35
Heavy Rescue Mt. Kit Jumbo Lok	P/N K5035JL	p. 35
Heavy Rescue Mt. Kit Super Adjst.	P/N K5035SA	p. 35
Spreader Base Pocket Fastlok	P/N K5026FL	p. 36
Spreader Base Pocket Jumbo Lok	P/N K5026JL	p. 36
Spreader Base Pkt. Super Adjst.	P/N K5026SA	p. 36
Ram Base Mt. Kit Fastlok	P/N K1022FL	p. 37
Ram Base Mt. Kit Jumbo Lok	P/N K1022JL	p. 37
Ram Base Mt. Kit Super Adjst.	P/N K1022SA	p. 37
Rectangular Mt. Kit Fastlok	P/N K5081FL	p. 38
Rectangular Mt. Kit Jumbo Lok	P/N K5081JL	p. 38
Rectangular Mt. Kit Super Adjst.	P/N K5081SA	p. 38
Amkus Cutter/Spreader Kit	P/N K5021	p. 39
Amkus Cutter/Combi Kit	P/N K5022	p. 39
Amkus Ram Kit	P/N K5023	p. 39
Amkus Spreader/Combi Kit	P/N K5024	p. 39

SCBA Bottle Storage

Standard Cylinder Mate	P/N CM6000	p. 40
Extended Cylinder Mate	P/N CM6060	p. 40
Cylinder Mate Cart (12 Pack)	ASSORTED	p. 41
Cylinder Mate Cart (16 Pack)	ASSORTED	p. 41

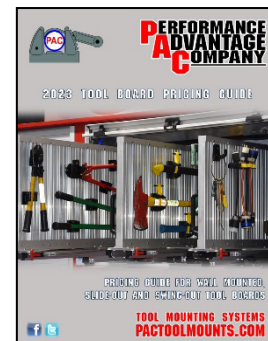
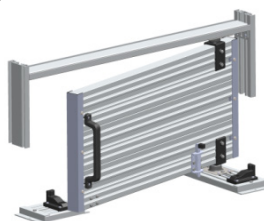
Additional Mounting Products & Accessories

Bucket Mount	P/N BKM	p. 42
ROPS Clamp Assembly	P/N K5073	p. 43
PAC Strut	P/N 2019	p. 44
PAC Strut HD	P/N 2020	p. 44
Label Plates	P/N LP002-10	p. 45
Shelf Mount	P/N PSM	p. 45
Mini Dual Corner Connector	P/N 3018	p. 46
Dual Trac Corner Connector	P/N 3027	p. 46
Cup Mount	P/N 1033	p. 46
Traclok Packs	P/N 7002-	p. 47
Channel Nuts	ASSORTED	p. 47

Aluminum Pac Trac Products

See this section, starting on page 49, for an overview of our PAC TRAC family of products.

**For more detailed information,
request our Aluminum Catalog.**



PAC offers mounting options for nearly all makes and models of Heavy Rescue Equipment. Our line extends beyond our catalog. For your specific needs with Hurst, Holmatro etc. please contact us!

HANDLELOK

PAC

STRAP COLORS BLACK YELLOW ORANGE	PRODUCT NUMBER 1004-B 1004-Y 1004-OR
MOUNTING HARDWARE (INCLUDED)	FLAT SURFACES PAC TRAC
MOUNTING HARDWARE (OPTIONAL)	REFER TO PAGE 46 – INSERTS & CHANNEL NUTS
PRODUCT WT. DIMENSIONS	0.4 lbs. 3.9" L x 1.8" W x 4.0" H
GRIP RANGE	1.75" Max

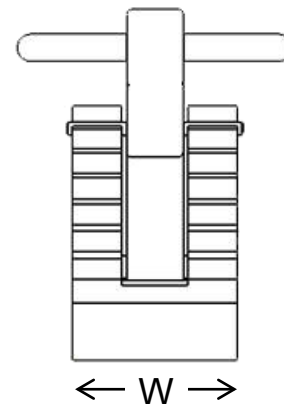
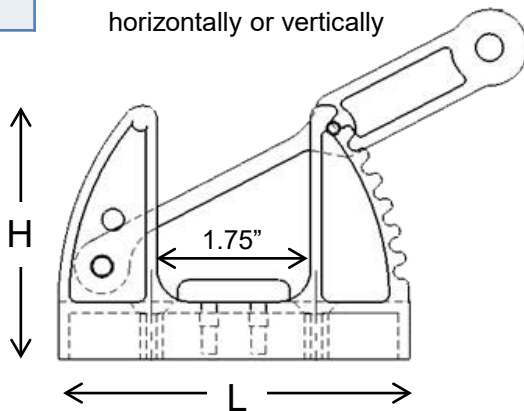
The Handlelok provides an adjustable positive locking method to secure axes, hammers, bars and many other tools and equipment. The STRETCHLOK strap allows instant release.

MSRP: \$41.95

PLEASE SPECIFY STRAP COLOR



- **NEW Slotted mounting hole allows for more mounting versatility!**
- 2 pivot positions
- Molded from high quality materials
- Soft textured pad for extra grip.
- Weather, UV resistant
- Non-conductive
- Can be mounted horizontally or vertically



JUMBO LOK

PAC

STRAP COLORS BLACK YELLOW ORANGE	PRODUCT NUMBER 1070-B 1070-Y 1070-OR
MOUNTING HARDWARE (INCLUDED)	FLAT SURFACES PAC TRAC
MOUNTING HARDWARE (OPTIONAL)	REFER TO PAGE 46 – INSERTS & CHANNEL NUTS
PRODUCT WT. DIMENSIONS	1.0 lbs. 7.3" L x 2.3" W x 4.6" H
GRIP RANGE	3.25" Max

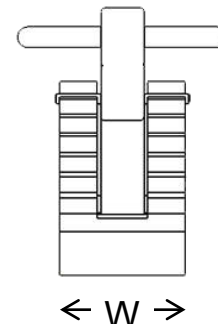
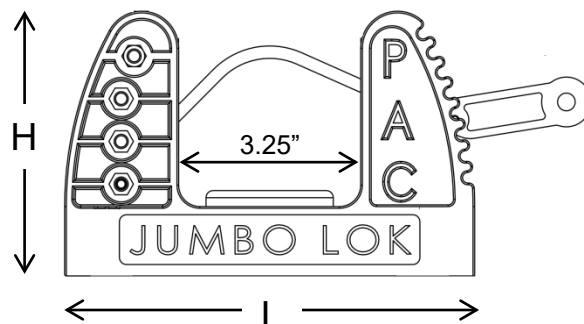
The Jumbo Lok is a large positive locking bracket with FOUR strap pivot positions providing an extensive grip range for a wide variety of tools and equipment.

MSRP: \$66.95

PLEASE SPECIFY STRAP COLOR



- **Now with 4 pivot positions!**
- Molded from high quality materials
- Soft textured pad for extra grip
- Weather, UV resistant
- Non-conductive
- Can be mounted horizontally or vertically



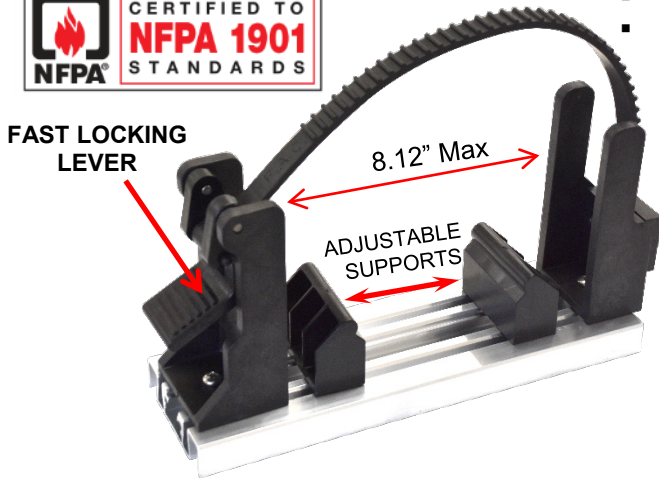
FASTLOK ADJUSTAMOUNT KIT - STANDARD

STRAP COLORS BLACK YELLOW ORANGE	PRODUCT NUMBER K5020-B K5020-Y K5020-OR
MOUNTING HARDWARE (INCLUDED)	REFER TO PAGE 46 – INSERTS & CHANNEL NUTS
PRODUCT WT. DIMENSIONS	3.0 lbs. 12" L x 3.75" W x 6.34" H
GRIP RANGE	8.12" Max

Securing larger and heavier items is now even easier with the Standard Fastlok!

- Easily and quickly secure equipment - even with gloves on.
- Track base provides fast setup and adjustment to mount a wide variety of equipment such as:
 - Fire extinguishers
 - Air cylinders
 - Hydraulic pumps
 - Rescue tools
 - Chain saws
 - Oxygen cylinders
 - And many more!
- Easily Re-adjustable with a 25" long strap.
- No metal to metal contact
- UV resistant

MSRP: \$125.95

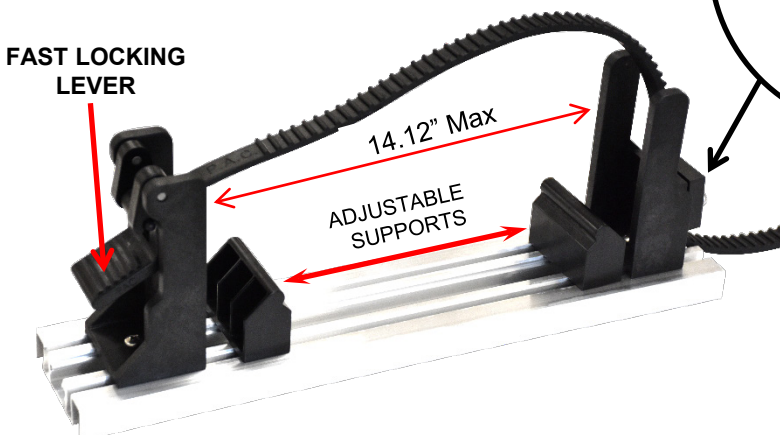


FASTLOK ADJUSTAMOUNT KIT - LONG

STRAP COLORS BLACK YELLOW ORANGE	PRODUCT NUMBER K5020L-B K5020L-Y K5020L-OR
MOUNTING HARDWARE (INCLUDED)	REFER TO PAGE 46 – INSERTS & CHANNEL NUTS
PRODUCT WT. DIMENSIONS	3.8 lbs. 18" L x 3.75" W x 6.34" H
GRIP RANGE	14.12" Max

Securing larger and heavier items is now even easier with the Long Fastlok!

MSRP: \$141.95



ADJUSTAMOUNT KIT W/PAC STRUT - SHORT



STRAP COLORS BLACK YELLOW ORANGE	PRODUCT NUMBER K5006S-B K5006S-Y K5006S-OR
MOUNTING HARDWARE (INCLUDED)	FLAT SURFACES PAC TRAC
MOUNTING HARDWARE (OPTIONAL)	REFER TO PAGE 46 – INSERTS & CHANNEL NUTS
PRODUCT WT. DIMENSIONS	1.6 lbs. 8.25" L x 1.88" W x 3.38" H
GRIP RANGE	2.8" Max

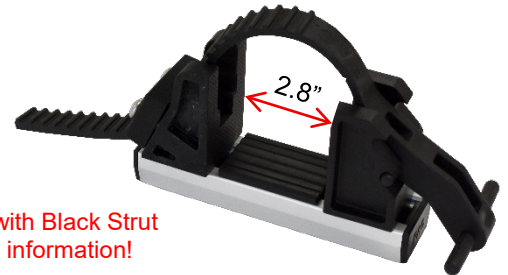
The Short Adjustamount Kit satisfies a wide range of tool mounting requirements and provide the most versatile and flexible solution for most every equipment mounting application. Commonly combined with other PAC brackets to provide complete tool mounting solutions. **INCLUDES 1006 & 8" long section of 2019 (13/16" x 1-5/8") PAC Strut.**

- Components are molded from high quality materials
- Adjustable lock strap capable to 5400 PSI tensile strength
- 9.5" usable strap length
- Can be mounted horizontally or vertically

MSRP: \$59.95



Also available with Black Strut
Call for more information!



ADJUSTAMOUNT KIT W/PAC STRUT - STANDARD



STRAP COLORS BLACK YELLOW ORANGE	PRODUCT NUMBER K5006-B K5006-Y K5006-OR
MOUNTING HARDWARE (INCLUDED)	FLAT SURFACES PAC TRAC
MOUNTING HARDWARE (OPTIONAL)	REFER TO PAGE 46 – INSERTS & CHANNEL NUTS
PRODUCT WT. DIMENSIONS	1.6 lbs. 12" L x 1.88" W x 3.4" H
GRIP RANGE	9" Max

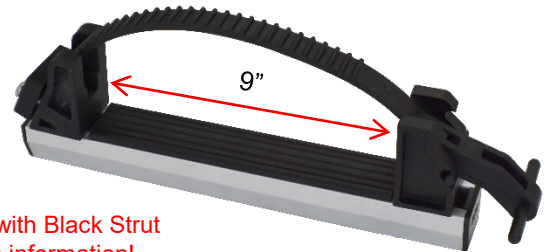
The Standard Adjustamount Kit satisfies a wide range of tool mounting requirements and provide the most versatile and flexible solution for most every equipment mounting application. Commonly combined with other PAC brackets to provide complete tool mounting solutions. **INCLUDES 1006 & 12" long section of 2019 (13/16" x 1-5/8") PAC Strut.**

- Components are molded from high quality materials
- Adjustable lock strap capable to 5400 PSI tensile strength
- 28" usable strap length
- Can be mounted horizontally or vertically

MSRP: \$68.95



Also available with Black Strut
Call for more information!



ADJUSTAMOUNT KIT W/PAC STRUT - LONG



STRAP COLORS BLACK YELLOW ORANGE	PRODUCT NUMBER K5006L-B K5006L-Y K5006L-OR
MOUNTING HARDWARE (INCLUDED)	FLAT SURFACES PAC TRAC
MOUNTING HARDWARE (OPTIONAL)	REFER TO PAGE 46 – INSERTS & CHANNEL NUTS
PRODUCT WT. DIMENSIONS	2.3 lbs. 24" L x 1.88" W x 3.4" H
GRIP RANGE	21" Max

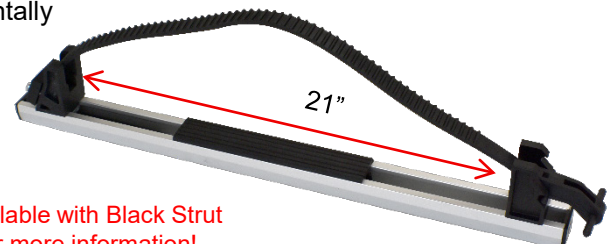
The Long Adjustamount Kit offers more tool mounting capacity than our standard Adjustamount Kit. All Adjustamounts Kits are commonly combined with other PAC brackets to provide complete tool mounting solutions. **INCLUDES 1006 & 24" long section of 2019 (13/16" x 1-5/8") PAC Strut.**

- Components are molded from high quality materials
- Adjustable lock strap capable to 5400 PSI tensile strength
- 28" usable strap length
- Can be mounted horizontally or vertically

MSRP: \$75.95



Also available with Black Strut
Call for more information!



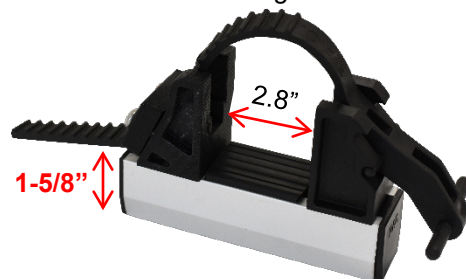
ADJUSTAMOUNT KIT W/PAC STRUT HD - SHORT

STRAP COLORS BLACK YELLOW ORANGE	PRODUCT NUMBER K5006HDS-B K5006HDS-Y K5006HDS-OR
MOUNTING HARDWARE (INCLUDED)	FLAT SURFACES PAC TRAC
MOUNTING HARDWARE (OPTIONAL)	REFER TO PAGE 46 – INSERTS & CHANNEL NUTS
PRODUCT WT. DIMENSIONS	1.6 lbs. 8.25" L x 1.88" W x 4.12" H
GRIP RANGE	2.8" Max

The Short Adjustamount Kit HD satisfies a wide range of tool mounting requirements and provide the most versatile and flexible solution for most every equipment mounting application. Commonly combined with other PAC brackets to provide complete tool mounting solutions. **INCLUDES 1006 & 8" long section of 2020 (1-5/8" x 1-5/8") PAC Strut HD.**

- Components are molded from high quality materials
- Adjustable lock strap capable to 5400 PSI tensile strength
- 9.5" usable strap length
- Can be mounted horizontally or vertically

MSRP: \$59.95



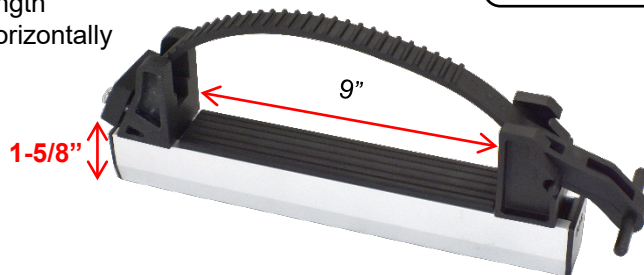
ADJUSTAMOUNT KIT W/PAC STRUT HD - STANDARD

STRAP COLORS BLACK YELLOW ORANGE	PRODUCT NUMBER K5006HD-B K5006HD-Y K5006HD-OR
MOUNTING HARDWARE (INCLUDED)	FLAT SURFACES PAC TRAC
MOUNTING HARDWARE (OPTIONAL)	REFER TO PAGE 46 – INSERTS & CHANNEL NUTS
PRODUCT WT. DIMENSIONS	1.6 lbs. 12.25" L x 1.88" W x 4.12" H
GRIP RANGE	9" Max

The Standard Adjustamount Kit HD satisfies a wide range of tool mounting requirements and provide the most versatile and flexible solution for most every equipment mounting application. Commonly combined with other PAC brackets to provide complete tool mounting solutions. **INCLUDES 1006 & 12" long section of 2020 (1-5/8" x 1-5/8") PAC Strut HD.**

- Components are molded from high quality materials
- Adjustable lock strap capable to 5400 PSI tensile strength
- 28" usable strap length
- Can be mounted horizontally or vertically

MSRP: \$68.95



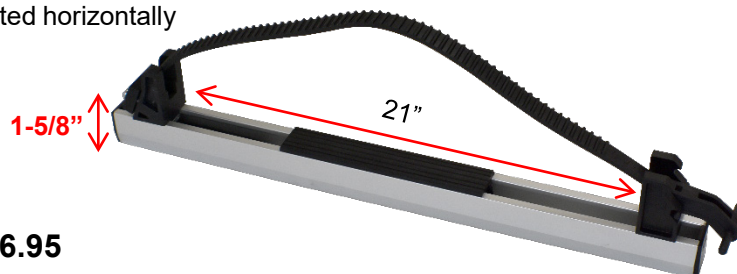
ADJUSTAMOUNT KIT W/PAC STRUT HD - LONG

STRAP COLORS BLACK YELLOW ORANGE	PRODUCT NUMBER K5006HDL-B K5006HDL-Y K5006HDL-OR
MOUNTING HARDWARE (INCLUDED)	FLAT SURFACES PAC TRAC
MOUNTING HARDWARE (OPTIONAL)	REFER TO PAGE 46 – INSERTS & CHANNEL NUTS
PRODUCT WT. DIMENSIONS	2.3 lbs. 24.25" L x 1.88" W x 4.12" H
GRIP RANGE	21" Max

The Long Adjustamount Kit HD offers more tool mounting capacity than our standard Adjustamount Kit. All Adjustamounts Kits are commonly combined with other PAC brackets to provide complete tool mounting solutions. **INCLUDES 1006 & 24" long section of 2020 (1-5/8" x 1-5/8") PAC Strut HD.**

- Components are molded from high quality materials
- Adjustable lock strap capable to 5400 PSI tensile strength
- 28" usable strap length
- Can be mounted horizontally or vertically

MSRP: \$76.95



SUPER ADJUSTAMOUNT KIT W/PAC STRUT - SHORT

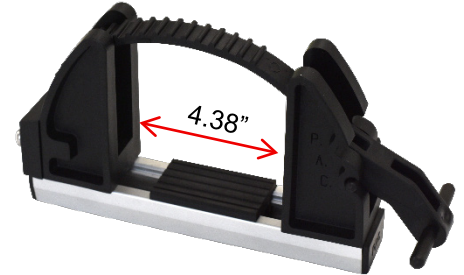


STRAP COLORS BLACK YELLOW ORANGE	PRODUCT NUMBER K5050S-B K5050S-Y K5050S-OR
MOUNTING HARDWARE (INCLUDED)	FLAT SURFACES PAC TRAC
MOUNTING HARDWARE (OPTIONAL)	REFER TO PAGE 46 – INSERTS & CHANNEL NUTS
PRODUCT WT. DIMENSIONS	1.8 lbs. 8.25" L x 1.88" W x 4.88" H
GRIP RANGE	4.38" Max

The Short Super Adjustamount Kit offers more tool mounting capacity than our Short Adjustamount Kit. Super Adjustamount Kits are commonly combined with other PAC brackets to provide complete tool mounting solutions. Super Adjustamount modules are **TALLER** than standard Adjustamount modules. **INCLUDES 1050 & 8" long section of 2019 (13/16" x 1-5/8") PAC Strut.**

- Components are molded from high quality materials
- Adjustable lock strap capable to 5400 PSI tensile strength
- 9.5" usable strap length
- Can be mounted horizontally or vertically

MSRP: \$61.95



Also available with Black Strut
Call for more information!

SUPER ADJUSTAMOUNT KIT W/PAC STRUT - STANDARD

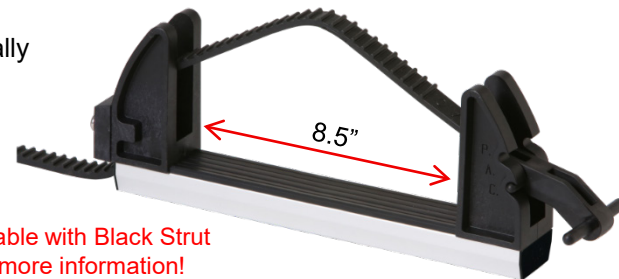


STRAP COLORS BLACK YELLOW ORANGE	PRODUCT NUMBER K5050-B K5050-Y K5050-OR
MOUNTING HARDWARE (INCLUDED)	FLAT SURFACES PAC TRAC
MOUNTING HARDWARE (OPTIONAL)	REFER TO PAGE 46 – INSERTS & CHANNEL NUTS
PRODUCT WT. DIMENSIONS	1.8 lbs. 12" L x 1.88" W x 4.88" H
GRIP RANGE	8.5" Max

The Standard Super Adjustamount Kit offers more tool mounting capacity than our Standard Adjustamount Kit. Super Adjustamount Kits are commonly combined with other PAC brackets to provide complete tool mounting solutions. Super Adjustamount modules are **TALLER** than standard Adjustamount modules. **INCLUDES 1050 & 12" long section of 2019 (13/16" x 1-5/8") PAC Strut.**

- Components are molded from high quality materials
- Adjustable lock strap capable to 5400 PSI tensile strength
- 25" usable strap length
- Can be mounted horizontally or vertically

MSRP: \$69.95



Also available with Black Strut
Call for more information!

SUPER ADJUSTAMOUNT KIT W/PAC STRUT - LONG

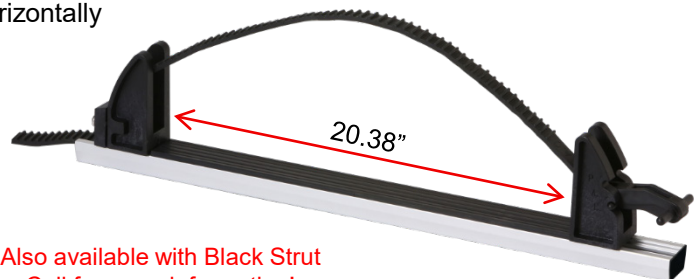


STRAP COLORS BLACK YELLOW ORANGE	PRODUCT NUMBER K5050L-B K5050L-Y K5050L-OR
MOUNTING HARDWARE (INCLUDED)	FLAT SURFACES PAC TRAC
MOUNTING HARDWARE (OPTIONAL)	REFER TO PAGE 46 – INSERTS & CHANNEL NUTS
PRODUCT WT. DIMENSIONS	2.4 lbs. 24" L x 1.88" W x 4.88" H
GRIP RANGE	20.38" Max

The Long Super Adjustamount Kit offers more tool mounting capacity than our Long Adjustamount Kit. **INCLUDES 1050 & 24" long section of 2019 (13/16" x 1-5/8") PAC Strut.**

- Components are molded from high quality materials
- Adjustable lock strap capable to 5400 PSI tensile strength
- 28" usable strap length
- Can be mounted horizontally or vertically

MSRP: \$77.95



Also available with Black Strut
Call for more information!

SUPER ADJUSTAMOUNT KIT W/PAC STRUT HD - SHORT

STRAP COLORS BLACK YELLOW ORANGE	PRODUCT NUMBER K5050HDS-B K5050HDS-Y K5050HDS-OR
MOUNTING HARDWARE (INCLUDED)	FLAT SURFACES PAC TRAC
MOUNTING HARDWARE (OPTIONAL)	REFER TO PAGE 46 – INSERTS & CHANNEL NUTS
PRODUCT WT. DIMENSIONS	1.8 lbs. 8.25" L x 1.88" W x 5.66" H
GRIP RANGE	4.38" Max

The Short Super Adjustamount Kit HD offers more tool mounting capacity than our Short Adjustamount Kit HD. Super Adjustamount Kits are commonly combined with other PAC brackets to provide complete tool mounting solutions. Super Adjustamount modules are **TALLER** than standard Adjustamount modules. **INCLUDES 1050 & 8" long section of 2020 (1-5/8" x 1-5/8) PAC Strut HD.**

- Components are molded from high quality materials
- Adjustable lock strap capable to 5400 PSI tensile strength
- 9.5" usable strap length
- Can be mounted horizontally or vertically

MSRP: \$68.95



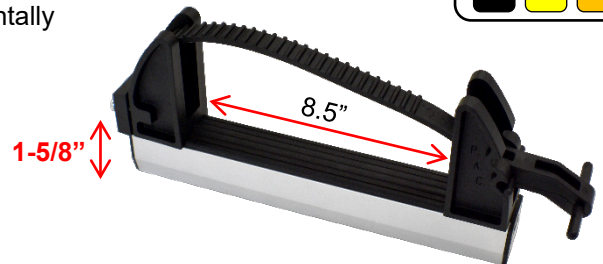
SUPER ADJUSTAMOUNT KIT W/PAC STRUT HD - STANDARD

STRAP COLORS BLACK YELLOW ORANGE	PRODUCT NUMBER K5050HD-B K5050HD-Y K5050HD-OR
MOUNTING HARDWARE (INCLUDED)	FLAT SURFACES PAC TRAC
MOUNTING HARDWARE (OPTIONAL)	REFER TO PAGE 46 – INSERTS & CHANNEL NUTS
PRODUCT WT. DIMENSIONS	1.8 lbs. 12.25" L x 1.88" W x 5.64" H
GRIP RANGE	8.5" Max

The Standard Super Adjustamount Kit HD offers more tool mounting capacity than our Standard Adjustamount Kit HD. Super Adjustamount Kits are commonly combined with other PAC brackets to provide complete tool mounting solutions. Super Adjustamount modules are **TALLER** than standard Adjustamount modules. **INCLUDES 1050 & 12" long section of 2020 (1-5/8" x 1-5/8") PAC Strut channel.**

- Components are molded from high quality materials
- Adjustable lock strap capable to 5400 PSI tensile strength
- 9.5" usable strap length
- Can be mounted horizontally or vertically

MSRP: \$74.95



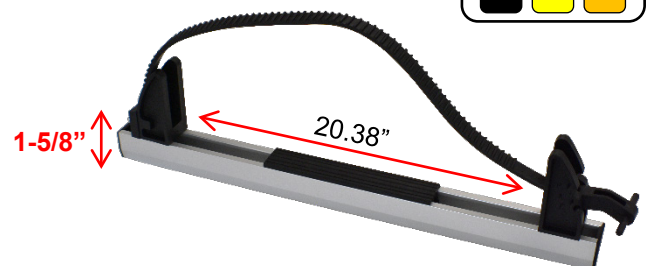
SUPER ADJUSTAMOUNT KIT W/PAC STRUT HD - LONG

STRAP COLORS BLACK YELLOW ORANGE	PRODUCT NUMBER K5050HDL-B K5050HDL-Y K5050HDL-OR
MOUNTING HARDWARE (INCLUDED)	FLAT SURFACES PAC TRAC
MOUNTING HARDWARE (OPTIONAL)	REFER TO PAGE 46 – INSERTS & CHANNEL NUTS
PRODUCT WT. DIMENSIONS	2.4 lbs. 24" L x 1.88" W x 5.64" H
GRIP RANGE	20.38" Max

The Long Super Adjustamount Kit HD offers more tool mounting capacity than our Long Adjustamount Kit HD. **INCLUDES 1050 & 24" long section of 2020 (1-5/8" x 1-5/8") PAC Strut HD.**

- Components are molded from high quality materials
- Adjustable lock strap capable to 5400 PSI tensile strength
- 28" usable strap length
- Can be mounted horizontally or vertically

MSRP: \$88.95



MINI LOKS



BASE COLOR BLACK	PRODUCT NUMBER 1101 (Small) 1102 (Large)
MOUNTING HARDWARE (INCLUDED)	FLAT SURFACES PAC TRAC
MOUNTING HARDWARE (OPTIONAL)	N/A
PRODUCT WT.	.7oz/each (1101) 1.1oz/each (1102)
DIMENSIONS	1.5" x 1.5" x 1.56" (1101) 1.5" x 2.13" x 2.07"
GRIP RANGE	1101: 3/8" – 3/4" 1102: 3/4" – 1 1/8"

SOLD IN PAIRS – The Mini Lok is a friction locking bracket perfect for flashlights, rods, cords, small hand tools, etc.

- Works great with PAC Strut!
- Molded from high quality materials
- Weather, UV resistant
- Non-conductive
- Can be mounted horizontally or vertically



P/N 1101 (Small)
MSRP: \$13.95/pair



P/N 1102 (Large)
MSRP: \$15.95/pair



HOOKLOK

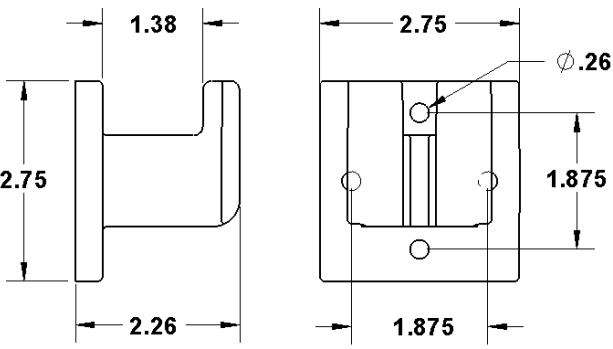


BASE COLOR BLACK	PRODUCT NUMBER 1001
MOUNTING HARDWARE (INCLUDED)	FLAT SURFACES PAC TRAC
MOUNTING HARDWARE (OPTIONAL)	REFER TO PAGE 46 – INSERTS & CHANNEL NUTS
PRODUCT WT.	0.4 lbs. / PAIR
DIMENSIONS	2.75" L x 2.75" W x 2.26" H
GRIP RANGE	1" to 1-1/4" (25.4mm-31.8mm)

SOLD IN PAIRS - The Hooklok bracket is a versatile and easy to use friction lock product providing secure mounting for a wide variety of tools and equipment.

MSRP: \$34.95/pair

- **NEW: Larger mounting base for bi-directional mounting**
- Hook feature provides additional support when mounted vertically
- Rugged injection molded components made from high quality materials
- Weather, UV resistant
- Non-conductive
- Can be mounted horizontally or vertically

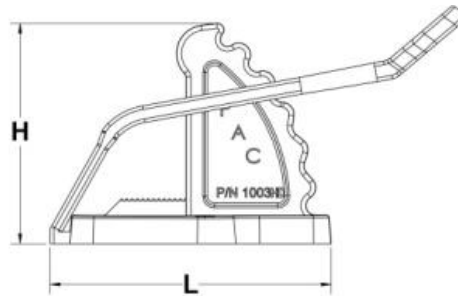
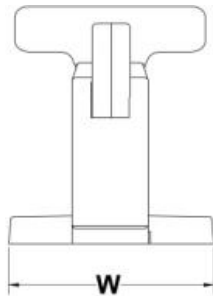


STRAP COLORS BLACK YELLOW ORANGE	PRODUCT NUMBER 1003-HD-B 1003-HD-Y 1003-HD-OR
MOUNTING HARDWARE (INCLUDED)	FLAT SURFACES PAC TRAC
MOUNTING HARDWARE (OPTIONAL)	N/A
PRODUCT WT. DIMENSIONS	0.2 lbs. 3.7" L x 2.7" W x 3.0" H
GRIP RANGE	1/8" to 1-1/2" (3.2mm-38.1mm)

The cost effective Toolok bracket is a versatile and easy to use product providing secure mounting for a wide variety of tools and equipment.

- Wider mounting base for increased stability
- Strength enhanced base material for more durability
- Thicker walled locking strap for more strength
- Molded from high quality materials
- High performance elastomer GRIPILOK is rated to 5400psi
- Weather, UV resistant
- Non-conductive
- Can be mounted horizontally or vertically

MSRP: \$31.95

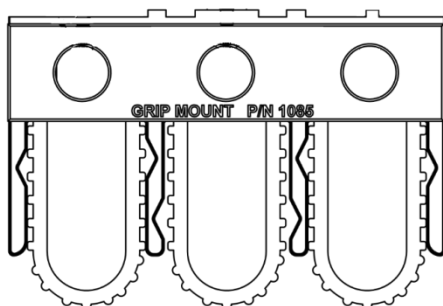


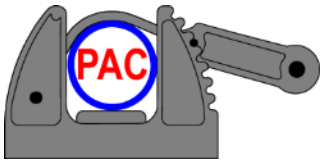
STRAP COLORS BLACK YELLOW ORANGE	PRODUCT NUMBER 1085-B 1085-Y 1085-OR
MOUNTING HARDWARE (INCLUDED)	FLAT SURFACES PAC TRAC
MOUNTING HARDWARE (OPTIONAL)	REFER TO PAGE 46 – INSERTS & CHANNEL NUTS
PRODUCT WT. DIMENSIONS	2.4 lbs. 24" L x 1.88" W x 4.88" H
GRIP RANGE	1" to 24" (25mm-610mm)

The Grip Mount is the ideal storage method for cord ends, pigtails, and small hand tools.

- Simple, fast operation
- Six flexible grip locating positions
- Three screwdriver hanging positions
- Small, compact and lightweight
- Non-metallic
- High strength materials
- Holds up to 3/4" diameter

MSRP: \$52.95





FIRE APPARATUS INSTALLATIONS

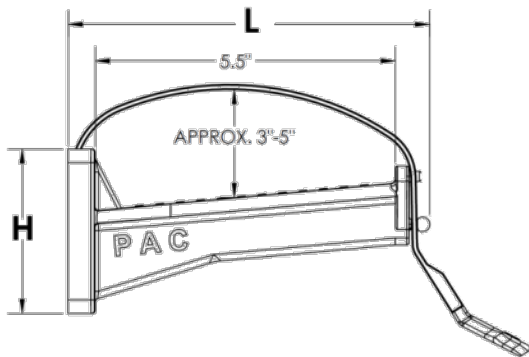
PERFORMANCE ADVANTAGE COMPANY



STRAP COLORS BLACK YELLOW ORANGE	PRODUCT NUMBER 1021-B 1021-Y 1021-OR
MOUNTING HARDWARE (INCLUDED)	FLAT SURFACES PAC TRAC
MOUNTING HARDWARE (OPTIONAL)	REFER TO PAGE 46 – INSERTS & CHANNEL NUTS
PRODUCT WT. DIMENSIONS	0.3 lbs. 6.6" L x 2.5" W x 3.0" H
LOAD CAPACITY	60LBS MAX

The Coil-Lok is a versatile hanger bracket which adds the security of an adjustable locking strap. Ropes, cords, chains, even hanging tools can be quickly mounted and strapped in place. A strap retainer block is included to provide an unobstructed path to hang equipment.

- Molded from high quality materials
- Adjustable lock strap capable to 5400 psi tensile strength



MSRP: \$41.95



STRAP COLORS BLACK YELLOW BLACK YELLOW	PRODUCT NUMBER K5103-B (3" pair) K5103-Y (3" pair) K5104-B (4" pair) K5104-Y (4" pair)
MOUNTING HARDWARE (INCLUDED)	FLAT SURFACES PAC TRAC
MOUNTING HARDWARE (OPTIONAL)	REFER TO PAGE 46 – INSERTS & CHANNEL NUTS
LOAD CAPACITY	Max 10lbs

The Super Flex brackets are designed to provide a secure grip-like mount for large cylindrical items. The 3" brackets are ideal for rams, struts, and 3lb extinguishers. The 4" brackets work well for oxygen bottles, rams, struts, and 5lb extinguishers. The Super Flex brackets are space saving with a small footprint with an accessible lock strap for easy use. The adjustable lock strap provides additional security.

- Molded from high quality materials
- Weather, UV resistant
- Non-conductive
- Can be mounted horizontally or vertically
- Easy push in and hold design with lock strap
- 3" bracket holds 2.5" – 3" diameter cylindrical items
- 4" bracket holds 3.5" – 4" diameter cylindrical items



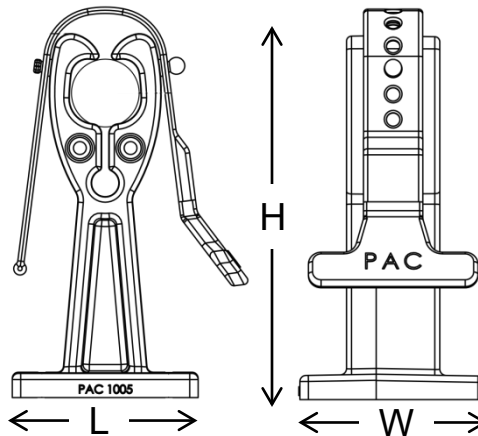
STOW-N-LOK (TALL)



STRAP COLORS BLACK YELLOW ORANGE	PRODUCT NUMBER 1005-B 1005-Y 1005-OR
MOUNTING HARDWARE (INCLUDED)	FLAT SURFACES PACTRAC
MOUNTING HARDWARE (OPTIONAL)	REFER TO PAGE 46 – INSERTS & CHANNEL NUTS
PRODUCT WT. DIMENSIONS	0.8 lbs. 2.8" L x 2.8" W x 5.3" H
GRIP RANGE	1" to 1-1/2" (25.4mm-38.1mm)

Combining a friction lock action with the security of a positive locking strap, the flexible Y-shaped bracket is designed to provide a secure grip-like mount for poles, nozzles and a wide variety of other tools and equipment. The bracket can be used with or without the strap. The strap is easily adjusted for various work-holding conditions and sizes.

- Accommodates rakes and other large-head tools
- Rugged injection molded components made from high quality materials
- Weather, UV resistant
- Non-conductive
- Can be mounted horizontally or vertically



MSRP: \$47.95



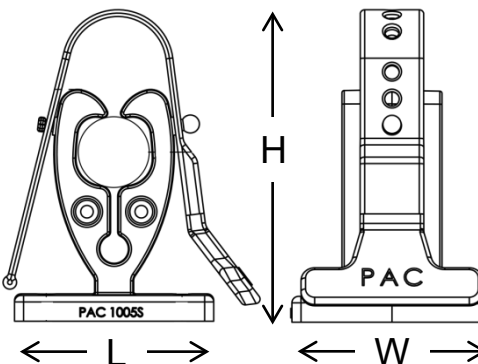
STOW-N-LOK (SHORT)



STRAP COLORS BLACK YELLOW ORANGE	PRODUCT NUMBER 1005S-B 1005S-Y 1005S-OR
MOUNTING HARDWARE (INCLUDED)	FLAT SURFACES PACTRAC
MOUNTING HARDWARE (OPTIONAL)	REFER TO PAGE 46 – INSERTS & CHANNEL NUTS
PRODUCT WT. DIMENSIONS	0.6 lbs. 2.8" L x 2.8" W x 3.1" H
GRIP RANGE	1" to 1-1/2" (25.4mm-38.1mm)

Combining a friction lock action with the security of a positive locking strap, the flexible Y-shaped bracket is designed to provide a secure grip-like mount for poles, nozzles and a wide variety of other tools and equipment. The bracket can be used with or without the strap. The strap is easily adjusted for various work-holding conditions and sizes.

- Rugged injection molded components made from high quality materials
- Weather, UV resistant
- Non-conductive
- Can be mounted horizontally or vertically



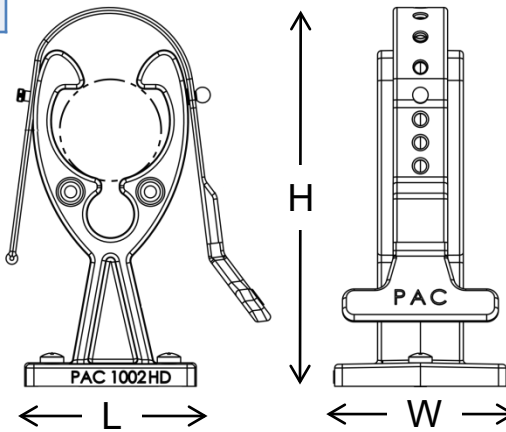
MSRP: \$45.95



STRAP COLORS BLACK YELLOW ORANGE	PRODUCT NUMBER 1002-HD-B 1002-HD-Y 1002-HD-OR
MOUNTING HARDWARE (INCLUDED)	FLAT SURFACES PACTRAC
MOUNTING HARDWARE (OPTIONAL)	REFER TO PAGE 46 – INSERTS & CHANNEL NUTS
PRODUCT WT.	0.4 lbs.
DIMENSIONS	2.75" L x 2.75" W x 5.36" H
GRIP RANGE	1-1/2" – 2 1/2"

The Flexmount Tall HD is a flexible Y-shaped bracket designed to provide a secure grip-like mount for poles, nozzles and a wide variety of other tools and equipment. The tall size accommodates tools with larger heads or handles. Adjustable lock strap provides additional security.

- Rugged injection molded components made from high quality materials
- Weather, UV resistant
- Non-conductive
- Can be mounted horizontally or vertically
- Easy push in and hold design with locking strap

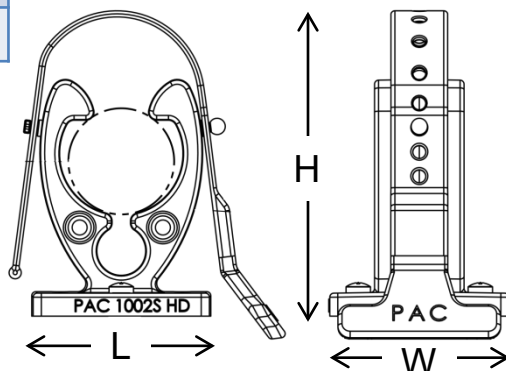


MSRP: \$51.95

STRAP COLORS BLACK YELLOW ORANGE	PRODUCT NUMBER 1002S-HD-B 1002S-HD-Y 1002S-HD-OR
MOUNTING HARDWARE (INCLUDED)	FLAT SURFACES PACTRAC
MOUNTING HARDWARE (OPTIONAL)	REFER TO PAGE 46 – INSERTS & CHANNEL NUTS
PRODUCT WT.	0.4 lbs.
DIMENSIONS	2.75" L x 2.75" W x 3.61" H
GRIP RANGE	1-1/2" – 2 1/2"

The Flexmount Short HD is a flexible Y-shaped bracket designed to provide a secure grip-like mount for poles, nozzles and a wide variety of other tools and equipment. The short version saves compartment depth. Adjustable lock strap provides additional security.

- Rugged injection molded components made from high quality materials
- Short size for poles
- Weather, UV resistant
- Non-conductive
- Can be mounted horizontally or vertically
- Easy push in and hold design with locking strap



MSRP: \$47.95

GM HOOK



BASE COLOR BLACK GREEN	PRODUCT NUMBER 1028 1028G
MOUNTING HARDWARE (INCLUDED)	DOUBLE SIDED TAPE
MOUNTING HARDWARE (OPTIONAL)	N/A
PRODUCT WT. DIMENSIONS	0.1 lbs. 1.5" L x 2.5" W x 4.0" H

The GM Hook is a quick and secure way to mount or hang lightweight equipment which have a latch, hook or loop for mounting. Ideal for keys, helmets, masks and much more.

MSRP: \$14.95



- Integrated latch to retain item
- Molded from high strength material
- Multiple uses
- Attaches with permanent double-sided tape
- No drilling required
- No mounting hardware needed



MINI HOOK

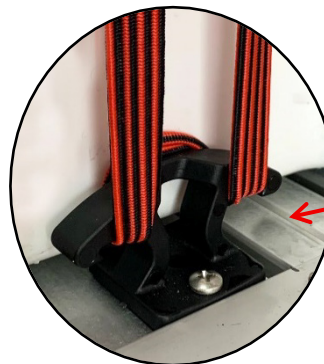


BASE COLOR BLACK	PRODUCT NUMBER 1110
MOUNTING HARDWARE (INCLUDED)	FLAT SURFACES PAC TRAC
MOUNTING HARDWARE (OPTIONAL)	REFER TO PAGE 46 – INSERTS & CHANNEL NUTS
PRODUCT WT. DIMENSIONS	.7 oz / each 2.8" L x 1.5" W x 1.4" H

SOLD IN PAIRS – The Mini Hook is perfect for hanging lightweight items such as small bags and accessories.

- Rugged injection molded components made from high quality materials
- Weather, UV resistant
- Non-conductive
- Can be mounted horizontally or vertically
- Stainless steel fasteners provided
- Mounts to PAC tool boards, PAC Strut and other flat surfaces.

MSRP: \$20.95/pair



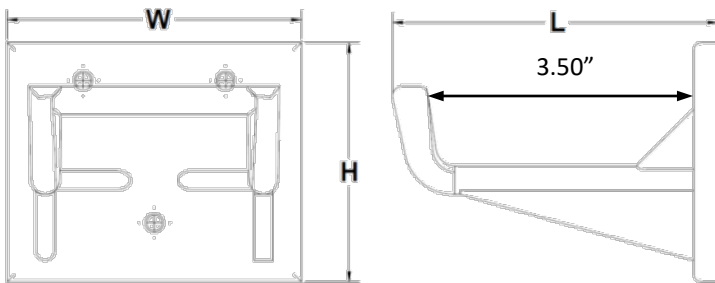
(Photos Courtesy of BK Kustomz)

BASE COLOR BLACK GREEN	PRODUCT NUMBER 1027 1027G
MOUNTING HARDWARE (INCLUDED)	FLAT SURFACES PAC TRAC
MOUNTING HARDWARE (OPTIONAL)	N/A
PRODUCT WT. DIMENSIONS	0.3 lbs. 4.3" L x 3.8" W x 3.0" H

The Loop Hook is a unique and efficient way to mount or hang equipment that utilize locking straps.

- Strong and versatile
- Molded from high strength material
- Impact resistant
- Multiple uses

MSRP: \$18.95

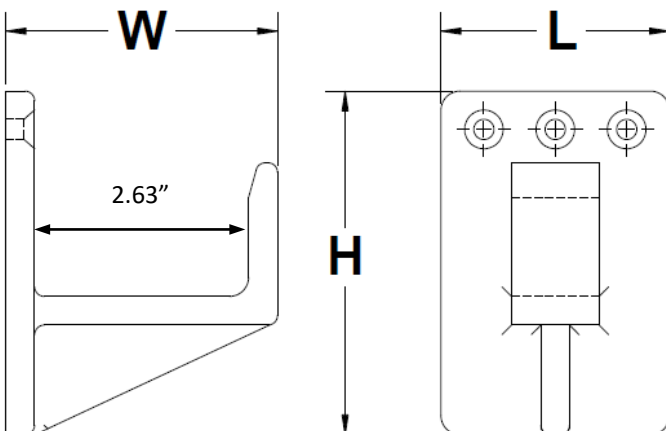


BASE COLOR BLACK	PRODUCT NUMBER 1019
MOUNTING HARDWARE (INCLUDED)	FLAT SURFACES PAC TRAC
MOUNTING HARDWARE (OPTIONAL)	REFER TO PAGE 46 – INSERTS & CHANNEL NUTS
PRODUCT WT. DIMENSIONS	0.4 lbs. 2.9" L x 3.5" W x 4.5" H

The Universal Hanger is designed for hanging various items such as cords, ropes, chains and tools.

- Can be used alone or in multiples
- Easy to use
- Molded from high quality materials
- Weather, UV resistant
- Non-conductive

MSRP: \$20.95



HOOKMOUNT

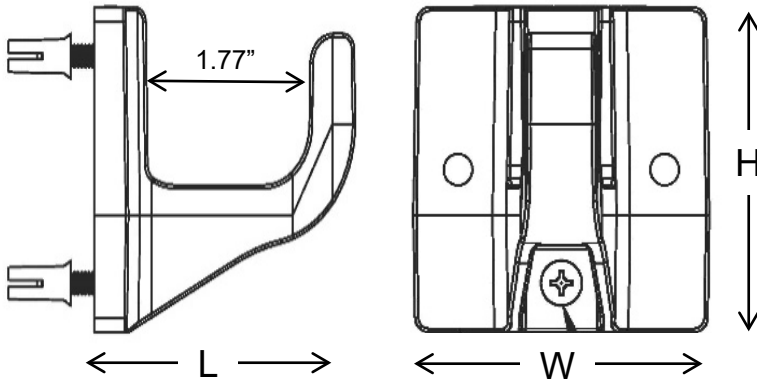


BASE COLOR BLACK	PRODUCT NUMBER 1029
MOUNTING HARDWARE (INCLUDED)	FLAT SURFACES PAC TRAC
MOUNTING HARDWARE (OPTIONAL)	REFER TO PAGE 46 – INSERTS & CHANNEL NUTS
PRODUCT WT. DIMENSIONS	0.3 lbs. 2.8" L x 2.0" W x 3.5" H

Originally designed for power tools with tubular handles, the Hook Mount provides a strong and secure hanging mount for a variety of other tools and equipment.

- Molded from high quality materials
- Easy to use
- Weather, UV resistant.
- Impact resistant
- Non-conductive

MSRP: \$18.95



TIE DOWN MOUNT KIT



P/N K3021
MSRP: \$82.95

The Tie Down Mount is a general purpose mounting bracket. The latching points can be positioned anywhere along PAC Strut providing attachments for straps, cords, etc.

- Great for securing large items
- Comes with stainless steel hardware
- Molded from high quality materials
- Easy to use
- Weather, UV resistant.

*Tie Down Mount (P/N K3021) shown holding hydraulic pump with PAC Strut (P/N 2019) and Channel Cushion (P/N 8006).

Accessories NOT included. See pgs. 43 & 44 for PAC Strut and Channel Cushion.



TIE DOWN MOUNT WITH DOUBLE SHACKLE (P/N K3021-D)
MSRP: \$53.95

PRODUCT NUMBER	BASE COLOR	MOUNTING HARDWARE (INCLUDED)	PRODUCT WT. DIMENSIONS
K3021	BLACK	PAC STRUT, MINI DUAL, DUAL TRAC	.7 lbs 4.18" L x 2.25" W x 1.18" H
K3021-D	BLACK	PAC STRUT, MINI DUAL, DUAL TRAC	.5 lbs 5.37" L x 2.25" W x 1.18" H

Can be used as a hanging anchor point for various items.

The Pole Mounts are designed to support and mount poles and long handled tools when paired with other PAC brackets such as the Handle Lok, Stow-N-Lok, and Flex Mount HD.

- Molded from high quality materials
- Weather, UV resistant
- Impact resistant
- Non-conductive
- SOLD INDIVIDUALLY



**Pole Rest Mount
(P/N 1048-1)
MSRP: \$50.95**



**Pole Guide Mount
(P/N 1048-2)
MSRP: \$47.95**

PRODUCT NUMBER	BASE COLOR	MOUNTING HARDWARE (INCLUDED)	MOUNTING HARDWARE (OPTIONAL)	PRODUCT WT. DIMENSIONS
1048-1	BLACK	FLAT SURFACES PAC TRAC	REFER TO PAGE 46 – INSERTS & CHANNEL NUTS	.3 lbs 6.88" L x 3.5" W x 4.22" H
1048-2	BLACK	FLAT SURFACES PAC TRAC	REFER TO PAGE 46 – INSERTS & CHANNEL NUTS	.3 lbs 6.88" L x 3.5" W x 4.22" H

BASE COLOR BLACK	PRODUCT NUMBER 1007-3
MOUNTING HARDWARE (INCLUDED)	FLAT SURFACES PAC TRAC
MOUNTING HARDWARE (OPTIONAL)	REFER TO PAGE 46 – INSERTS & CHANNEL NUTS
PRODUCT WT. DIMENSIONS	0.2 lbs. 2.0" L x 1.75" W x 2.37" H

Universal Mounts can be used as guides, bumpers or arranged in three for locating round equipment such as extinguishers and rams. Universal Mounts are a great companion with Super Adjustamount Kits, P/N K5050.

- Molded from high quality material
- Simple and flexible mounting
- Weather, UV resistant
- Non-conductive
- Sold individually



MSRP: \$16.95



Use 3 for framing cylinders

UTILITY POCKET



BASE COLOR BLACK	PRODUCT NUMBER 1116
MOUNTING HARDWARE (INCLUDED)	DOUBLE SIDED TAPE
MOUNTING HARDWARE (OPTIONAL)	N/A
PRODUCT WT. DIMENSIONS	4.5 oz 7.75" L x 3.88" H x 1.37" W

The Utility Pocket holds small miscellaneous hand items.

- Wall/flat surface mounted with double sided tape
- Non-metallic
- Chemical resistant material (Kydex)
- Lightweight and durable
- Flame retardant

MSRP: \$21.95



GAS & OIL MOUNTS



The Gas and Oil Mount is a simple storage mount providing a drop-in pocket for many items. The Gas and Oil Mount (P/N 1041) holds one quart size round container and one quart size rectangular oil container. The Dual Mount (P/N 1041-1) holds two quart size round containers and one quart size rectangular oil container.

- Chemical resistant material (Kydex)
- Lightweight and space saving
- High impact strength

1041
MSRP: \$96.95



1041-1
MSRP: \$117.95



PRODUCT NUMBER	BASE COLOR	MOUNTING HARDWARE (INCLUDED)	MOUNTING HARDWARE (OPTIONAL)	PRODUCT WT. DIMENSIONS
1041	BLACK	FLAT SURFACES PAC TRAC	REFER TO PAGE 46 – INSERTS & CHANNEL NUTS	.5 lbs 6.59" L x 5" W x 4" H
1041-1	BLACK	FLAT SURFACES PAC TRAC	REFER TO PAGE 46 – INSERTS & CHANNEL NUTS	.7 lbs 10.17" L x 5" W x 4" H

The Cylinder Mount is a simple storage mount providing a drop-in pocket for many cylindrical items. The 2-1/2" Cylinder Mount (P/N 1043-3) and 4-1/2" Cylinder Mount (P/N 1045-3) are a perfect fit for aerosol cans and other containers. The 3-1/2" Cylinder Mount (P/N 1044-2 Med or 1044-3 Tall) holds 1 quart metal fuel cans and fire extinguishers.

- Wall mounted
- PAC Trac compatible
- Non-metallic
- Chemical resistant material (Kydex)
- Lightweight and durable
- Flame retardant

PRODUCT NUMBER	SIZE	BASE COLOR	MOUNTING HARDWARE (INCLUDED)	MOUNTING HARDWARE (OPTIONAL)	PRODUCT WT. DIMENSIONS
1043-3	2.5"	BLACK	FLAT SURFACES PAC TRAC	REFER TO PAGE 46 – INSERTS & CHANNEL NUTS	0.33 LBS. 4.62" L x 2.8" W x 5.25" H
1044-2	3.5"	BLACK	FLAT SURFACES PAC TRAC	REFER TO PAGE 46 – INSERTS & CHANNEL NUTS	0.5 LBS. 5.4" L x 3.75" W x 5" H
1044-3	3.5"	BLACK	FLAT SURFACES PAC TRAC	REFER TO PAGE 46 – INSERTS & CHANNEL NUTS	0.6 LBS 3.4" L x 3.75" W x 6.75" H
1045-3	4.5"	BLACK	FLAT SURFACES PAC TRAC	REFER TO PAGE 46 – INSERTS & CHANNEL NUTS	0.8 LBS 6.56" L x 4.66" W x 8.87" H
1048-9	8-12oz Regular Bottles	Black	FLAT SURFACES PAC TRAC	REFER TO PAGE 46 – INSERTS & CHANNEL NUTS	0.16 LBS 6.88" L x 2.38" W x 4.22" H
1045-2	4.5"	BLACK	FLAT SURFACES PAC TRAC	REFER TO PAGE 46 – INSERTS & CHANNEL NUTS	0.8 LBS 6.56" L x 4.66" W x 8.87" H



1043-3
MSRP: \$35.95
Perfect for Aerosol Cans



1048-9
MSRP: \$41.95
Perfect for small bottles of hand sanitizer



1044-3
MSRP: \$45.95
Perfect for 3lb Extinguishers



1044-2
MSRP: \$45.95
Perfect for Tool Fuels



1045-3
MSRP: \$51.95
Perfect for 5lb Extinguishers and O2 Bottles



1045-2
MSRP: \$45.95
Perfect for large bottles of hand sanitizer

RECTANGULAR MOUNTS



The Rectangular Mount is a simple storage mount providing a drop-in pocket for many rectangular items. The quart size Rectangular Mount (P/N 1046-1) is a perfect fit for small oil containers. The gallon size Rectangular Mount (P/N 1047-3) holds large gas cans.

- Wall mounted
- PAC Trac compatible
- Non-metallic
- Chemical resistant material (Kydex)
- Lightweight and durable
- Flame retardant



1046-1
MSRP: \$53.95
Quart Size



1047-3
MSRP: \$67.95
Gallon Size

PRODUCT NUMBER	SIZE	BASE COLOR	MOUNTING HARDWARE (INCLUDED)	MOUNTING HARDWARE (OPTIONAL)	PRODUCT WT. DIMENSIONS
1046-1	4.5"	BLACK	FLAT SURFACES PAC TRAC	REFER TO PAGE 46 – INSERTS & CHANNEL NUTS	0.31 LBS. 6.7" L x 2.56" W x 4.75" H
1047-3	6.75"	BLACK	FLAT SURFACES PAC TRAC	REFER TO PAGE 46 – INSERTS & CHANNEL NUTS	0.61 LBS. 8.64" L x 4.44" W x 6.25" H

CAN MOUNTS



The Aerosol Can Mounts are simple storage mounts providing a drop-in pocket for many items. The Triple Aerosol Can Mount holds 3 aerosol cans and is a perfect fit for numerous aerosol can products. The Triple Quart Can Mount holds 3 quart size cans and is perfect for quart size fuel and oil cans.

- Chemical resistant material
- Lightweight and space saving
- High impact strength



Triple Aerosol Can Mount
P/N 1048-4
MSRP: \$82.95



Triple Quart Can Mount
P/N 1048-5
MSRP: \$86.95

PRODUCT NUMBER	BASE COLOR	MOUNTING HARDWARE (INCLUDED)	MOUNTING HARDWARE (OPTIONAL)	PRODUCT WT. DIMENSIONS
1048-4	BLACK	FLAT SURFACES PAC TRAC	REFER TO PAGE 46 – INSERTS & CHANNEL NUTS	1 lb 12" L x 6.88" W x 4.22" H
1048-5	BLACK	FLAT SURFACES PAC TRAC	REFER TO PAGE 46 – INSERTS & CHANNEL NUTS	1 lb 12.75" L x 6.88" H x 4.22" W

STRAP COLOR BLACK YELLOW ORANGE	PRODUCT NUMBER K5030-B K5030-Y K5030-OR
MOUNTING HARDWARE (INCLUDED)	FLAT SURFACES PAC TRAC
MOUNTING HARDWARE (OPTIONAL)	REFER TO PAGE 46 – INSERTS & CHANNEL NUTS
PRODUCT WT.	2.8 lbs.

The Universal Saw Kit is the perfect kit for the K12 Rescue Saw and other large Rescue Saws. Quick, one hand release lever and 4 Universal Mounts, secure your top performing saw perfectly!

- Molded from high quality materials
- Easy to use
- Weather, UV resistant
- Impact resistant
- Fast action instant release
- Non-conductive

MSRP: \$158.95



PLEASE SPECIFY STRAP COLOR
B **Y** **OR**



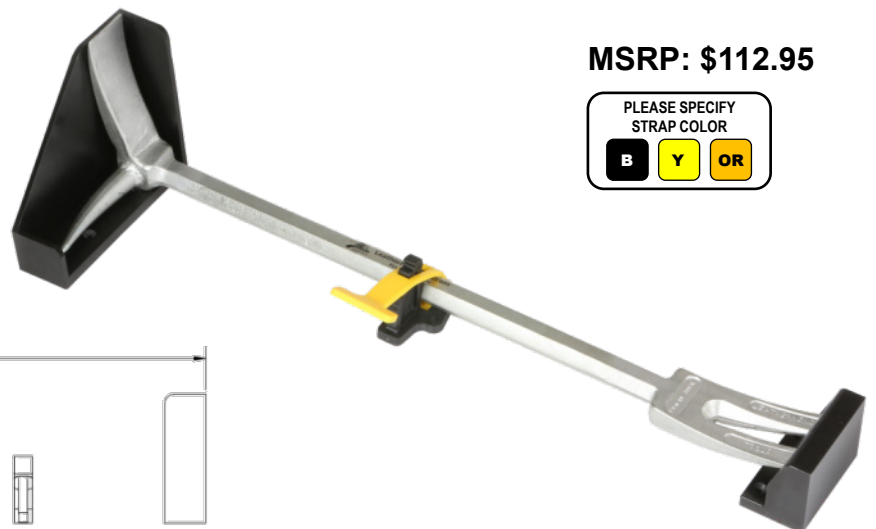
Includes:
4 Universal Mounts

STRAP COLOR BLACK YELLOW ORANGE	PRODUCT NUMBER K5032-B K5032-Y K5032-OR
MOUNTING HARDWARE (INCLUDED)	FLAT SURFACES PAC TRAC
MOUNTING HARDWARE (OPTIONAL)	N/A
PRODUCT WT.	2.7 lbs.
DIMENSIONS	Var. L x 9.5" W x 7.0" H

The Halligan Tool Mounting Kit is a safe, secure and dependable storage solution in any position or orientation. The Claw End and Point End Holders are combined with a Toolok bracket (P/N 1003-HD) to provide a complete tool mounting solution for a wide variety of Halligan type tools.

- Molded from high quality materials
- Easy to use
- Weather, UV resistant
- Impact resistant
- Fast action instant release
- Non-conductive

MSRP: \$112.95



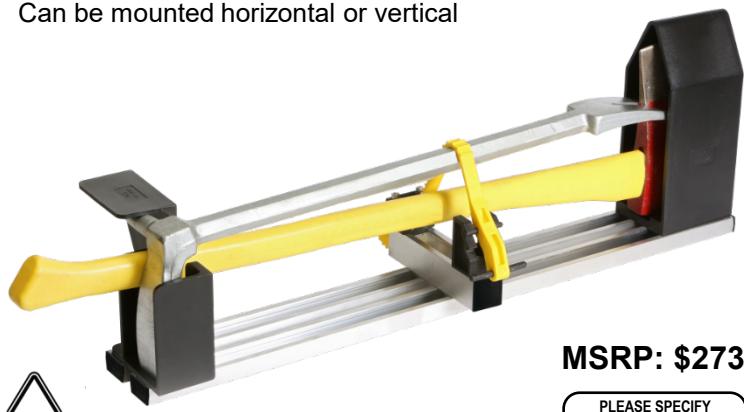
PLEASE SPECIFY STRAP COLOR
B **Y** **OR**



STRAP COLOR BLACK YELLOW ORANGE	PRODUCT NUMBER K5003-B K5003-Y K5003-OR
MOUNTING HARDWARE (INCLUDED)	FLAT SURFACES PAC TRAC
MOUNTING HARDWARE (OPTIONAL)	N/A
PRODUCT WT. DIMENSIONS	9.3 lbs. 33.0"L x 8.0"W x 11.5"H

The Ironslok bracket is designed for a set of irons which is a 30" Halligan tool and a 36" flathead axe. Positive locking with high strength lock strap. **FOR LARGER TOOLS, LIKE THE PIG, SEE THE NEW K5003-HD!**

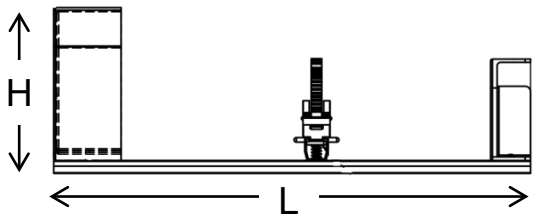
- Ironslok components are molded from high quality materials
- Durable and secure
- Anodized aluminum for corrosion resistance, durability, and easy to clean
- Can be mounted horizontal or vertical



MSRP: \$273.95

PLEASE SPECIFY STRAP COLOR

B **Y** **OR**

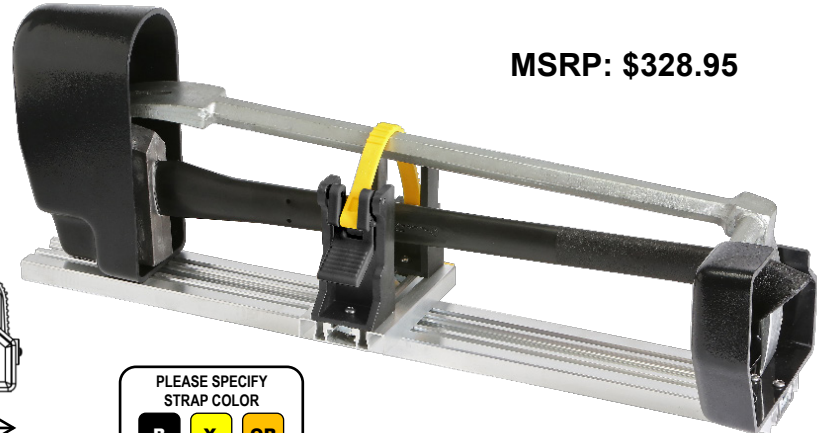


STRAP COLOR BLACK YELLOW ORANGE	PRODUCT NUMBER K5003-HD-B K5003-HD-Y K5003-HD-OR
MOUNTING HARDWARE (INCLUDED)	FLAT SURFACES PAC TRAC
MOUNTING HARDWARE (OPTIONAL)	N/A
PRODUCT WT. DIMENSIONS	9.6 lbs. 33.0"L x 10.0"W x 12.2"H

The Ironslok-HD Bracket Kit is designed for larger irons, including the PIG Axe and the FIRE MAUL! Positive locking with high strength lock strap.

- Ironslok components are molded from high quality materials
- Durable and secure
- Can be mounted horizontal or vertical

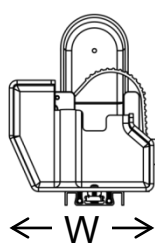
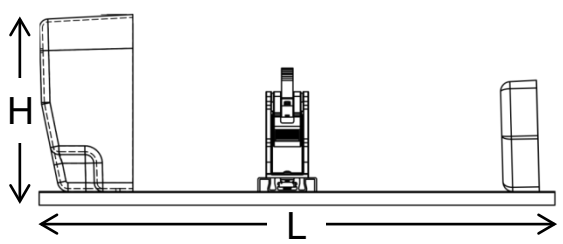
"The Ironslok helped us solve both the problems of accessibility and safety by giving us a secure way of mounting a set of "irons" directly next to a jump seat in the cab of ladder 7.... I would recommend PAC's Ironslok mounting system to other fire companies looking for a safe, effective and secure way to mount their "irons". **Capt. Matt Hoare, Buffalo Fire Dept. Ladder 7**



MSRP: \$328.95

PLEASE SPECIFY STRAP COLOR

B **Y** **OR**



Storz Loks provide a safe secure way to store Storz hose couplings. Easy twist-on storage. New 6" size for larger Municipal Fire Departments as well as the Oil and Gas industry!

- Mounts in any position
- Weather, UV resistant
- Impact resistant
- Non-conductive

PRODUCT NUMBER	SIZE	BASE COLOR	MOUNTING HARDWARE (INCLUDED)	MOUNTING HARDWARE (OPTIONAL)	PRODUCT WT. DIMENSIONS
1040-4	4"	BLACK	FLAT SURFACES PAC TRAC	REFER TO PAGE 46 – INSERTS & CHANNEL NUTS	0.4 LBS. 5.6" L x 1.4" W x 4.5" H
1040-5	5"	BLACK	FLAT SURFACES PAC TRAC	REFER TO PAGE 46 – INSERTS & CHANNEL NUTS	0.6 LBS. 7.0" L x 1.5" W x 5.8" H
1040-6	6"	BLACK	FLAT SURFACES PAC TRAC	REFER TO PAGE 46 – INSERTS & CHANNEL NUTS	0.8 LBS 6.9" L x 1.5" W x 7.0" H



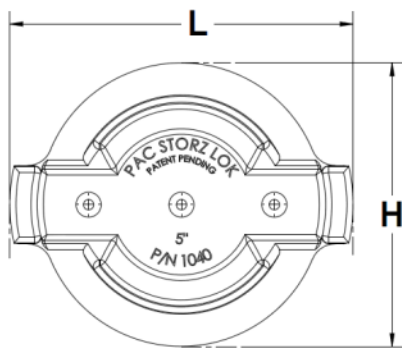
1040-4 (4" diameter)
MSRP: \$45.95



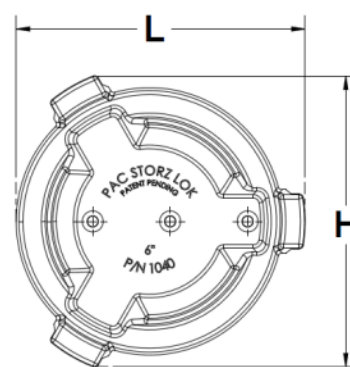
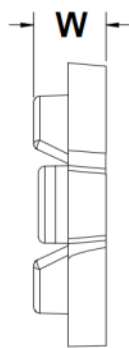
1040-5 (5" diameter)
MSRP: \$52.95



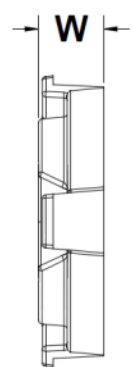
1040-6 (6" diameter)
MSRP: \$78.95



1040-4 & 1040-5



1040-6



PAC Adapter Loks keep your adapters organized and ready to use. Your adapters easily slide on and are retained by the locking feature. Simply depress the highly visible lock to remove the adapters!

- Molded from high quality materials
- Accepts both double male and female adapters
- Weather, UV resistant
- Impact resistant
- Non-conductive



PRODUCT NUMBER	SIZE	BASE COLOR	MOUNTING HARDWARE (INCLUDED)	MOUNTING HARDWARE (OPTIONAL)	PRODUCT WT. DIMENSIONS
1042-1	1.5"	BLACK	FLAT SURFACES PAC TRAC	REFER TO PAGE 46 – INSERTS & CHANNEL NUTS	0.3 LBS 4.6" L x 2.8" W x 2.6" H
1042-1D	1.5" Double	BLACK	FLAT SURFACES PAC TRAC	REFER TO PAGE 46 – INSERTS & CHANNEL NUTS	0.4 LBS 7.3" L x 2.8" W x 5.2" H
1042-2	2.5"	BLACK	FLAT SURFACES PAC TRAC	REFER TO PAGE 46 – INSERTS & CHANNEL NUTS	0.5 LBS 5.3" L x 3.63" W x 3.2" H
1042-D	2.5" DOUBLE	BLACK	FLAT SURFACES PAC TRAC	REFER TO PAGE 46 – INSERTS & CHANNEL NUTS	0.6 LBS 8.5" L x 3.63" W x 6.5" H



1042-1
MSRP: \$47.95



1042-1D
Call For Pricing



1042-2
MSRP: \$53.95



1042-D
MSRP: \$68.95

EXTINGUISHER MOUNT KITS



STRAP COLORS BLACK YELLOW	PRODUCT NUMBER K5043-B (3lb Extinguisher Mount) K5043-Y (3lb Extinguisher Mount)
BLACK YELLOW	K5044-B (Oxygen/5lb Extinguisher Mt) K5044-Y (Oxygen/5lb Extinguisher Mt)
MOUNTING HARDWARE (INCLUDED)	FLAT SURFACES PAC TRAC
MOUNTING HARDWARE (OPTIONAL)	REFER TO PAGE 46 – INSERTS & CHANNEL NUTS
PRODUCT WT.	1.4lbs (K5043 & K5044)
LOAD CAPACITY	3.3lbs (K5043) 5.6lbs (K5044)

The 3lb Extinguisher Mount is designed to provide a secure mount for small 3lb extinguishers or any extinguisher up to 3.5" in diameter. The Oxygen Bottle/5lb Extinguisher Mount is designed to provide a secure mount for D style oxygen bottles, 5lb extinguishers, or any other cylindrical item up to 4.5" in diameter. A self contained bracket with adjustable lock straps for easy use.



K5044 →
Oxygen Bottle/
5lb Extinguisher Mount
MSRP: \$136.95



← **K5043**
3lb Extinguisher
Mount Kit
MSRP: \$121.95

- Molded from high quality materials
- Weather, UV resistant
- Non-conductive
- Can be mounted horizontally or vertically
- Easy push in and hold design with lock strap
- K5043 fits extinguishers from 3'-3.5" diameter
- K5044 fits oxygen bottles or extinguishers from 4"-4.5" diameter



BOLT CUTTER KIT

BASE COLOR BLACK	PRODUCT NUMBER K5029-1
MOUNTING HARDWARE (INCLUDED)	FLAT SURFACES PAC TRAC
MOUNTING HARDWARE (OPTIONAL)	REFER TO PAGE 46 – INSERTS & CHANNEL NUTS
PRODUCT WT.	0.6 lbs.

Finally, a complete PAC solution to mount your bolt cutters! Our Bolt Cutter Kit is versatile. You can mount your tool horizontally, or vertically. Hardware is included for mounting to our aluminum extrusions or to your flat surfaces.

- Molded from high quality materials

MSRP: \$51.95

Also Holds Wire Cutters!



TOOL HANGER KIT



STRAP COLORS BLACK YELLOW ORANGE	PRODUCT NUMBER K5009-B K5009-Y K5009-OR
MOUNTING HARDWARE (INCLUDED)	FLAT SURFACES PAC TRAC
MOUNTING HARDWARE (OPTIONAL)	REFER TO PAGE 46 – INSERTS & CHANNEL NUTS
PRODUCT WT. DIMENSIONS	1.1 lbs. (Kit) 6.0" L x 3.6" W x 4.4" H

The Tool Hanger Kit is designed to be a simple hanger solution for shovels, brooms and many other T-shaped equipment. The Tool Hanger Kit includes Tool Hanger Bracket P/N 1009 and the Handlelok Bracket P/N 1004

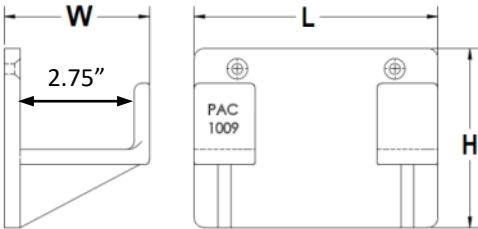
- Rugged injection molded components made from high quality materials
- Easy to use
- Weather, UV resistant
- Non-conductive



PLEASE SPECIFY STRAP COLOR

B **Y** **OR**

MSRP: \$80.95



8-12# SLEDGE HANGER POCKET/KIT



STRAP COLOR BLACK YELLOW ORANGE	PRODUCT NUMBER K5010-12-B K5010-12-Y K5010-12-OR
MOUNTING HARDWARE (INCLUDED)	FLAT SURFACES PAC TRAC
MOUNTING HARDWARE (OPTIONAL)	REFER TO PAGE 46 – INSERTS & CHANNEL NUTS
PRODUCT WT.	1.5 lbs.

The Sledge Hanger/Pocket Kit is designed to hold a 8-12lb. sledge hammer, hanging OR supported as a pocket. The Sledge Hanger Kit includes both the Sledge Hanger Pocket bracket (P/N 1010-12) and the Handlelok bracket (P/N 1004).

- Molded from high quality materials
- Easy to use
- Weather, UV resistant
- Non-conductive
- Mounts several ways

MSRP: \$90.95

PLEASE SPECIFY STRAP COLOR

B **Y** **OR**



STRAP COLOR BLACK YELLOW ORANGE	PRODUCT NUMBER K5011-B K5011-Y K5011-OR
MOUNTING HARDWARE (INCLUDED)	FLAT SURFACES PAC TRAC
MOUNTING HARDWARE (OPTIONAL)	REFER TO PAGE 46 – INSERTS & CHANNEL NUTS
PRODUCT WT.	1.8 lbs.

The Flathead Axe Hanger/Pocket Kit is designed to hold a Flathead Axe hanging OR supported as a pocket. The Flathead Axe Hanger/Pocket Kit includes the Flathead Axe Hanger/Pocket bracket (P/N 1011) and the Handlelok bracket (P/N 1004).

- Molded from high quality materials
- Easy to use
- Weather, UV resistant
- Non-conductive
- Mounts several ways

MSRP: \$115.95

PLEASE SPECIFY STRAP COLOR

B **Y** **OR**



STRAP COLOR BLACK YELLOW ORANGE	PRODUCT NUMBER K5012-B K5012-Y K5012-OR
MOUNTING HARDWARE (INCLUDED)	FLAT SURFACES PAC TRAC
MOUNTING HARDWARE (OPTIONAL)	REFER TO PAGE 46 – INSERTS & CHANNEL NUTS
PRODUCT WT.	2.2 lbs.

The Pickhead Axe Hanger/Pocket Kit is designed to hold a 6lb Pickhead Axe hanging OR supported as a pocket. The Pickhead Axe Hanger/Pocket Kit includes the Pickhead Axe Hanger/Pocket bracket (P/N 1012) and the Handlelok bracket (P/N 1004).

- Molded from high quality materials
- Easy to use
- Weather, UV resistant
- Non-conductive
- Mounts several ways

MSRP: \$142.95

PLEASE SPECIFY STRAP COLOR

B **Y** **OR**



SPANNER/HYDRANT WRENCH MOUNT

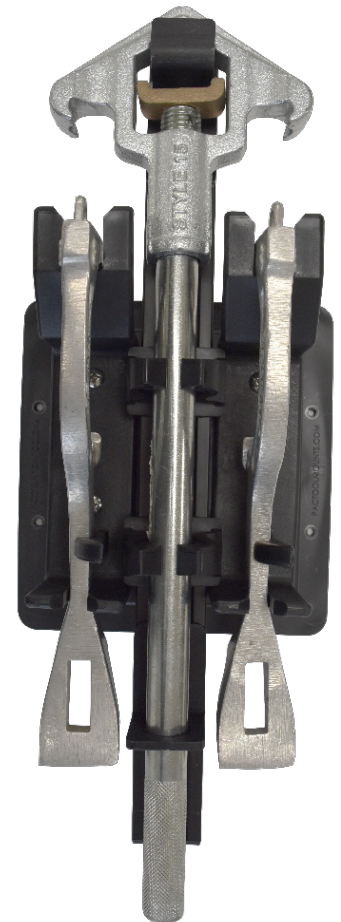
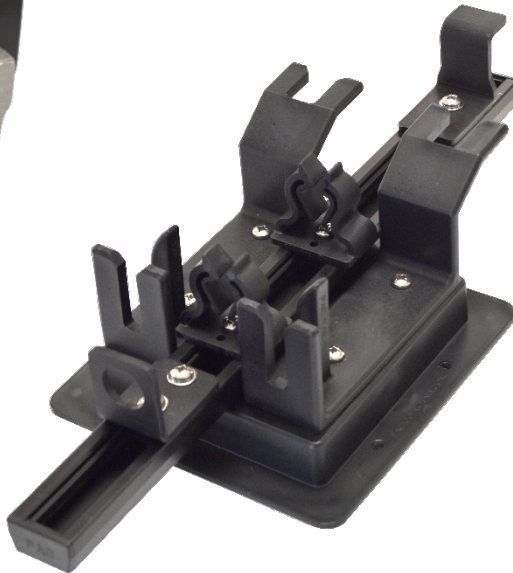
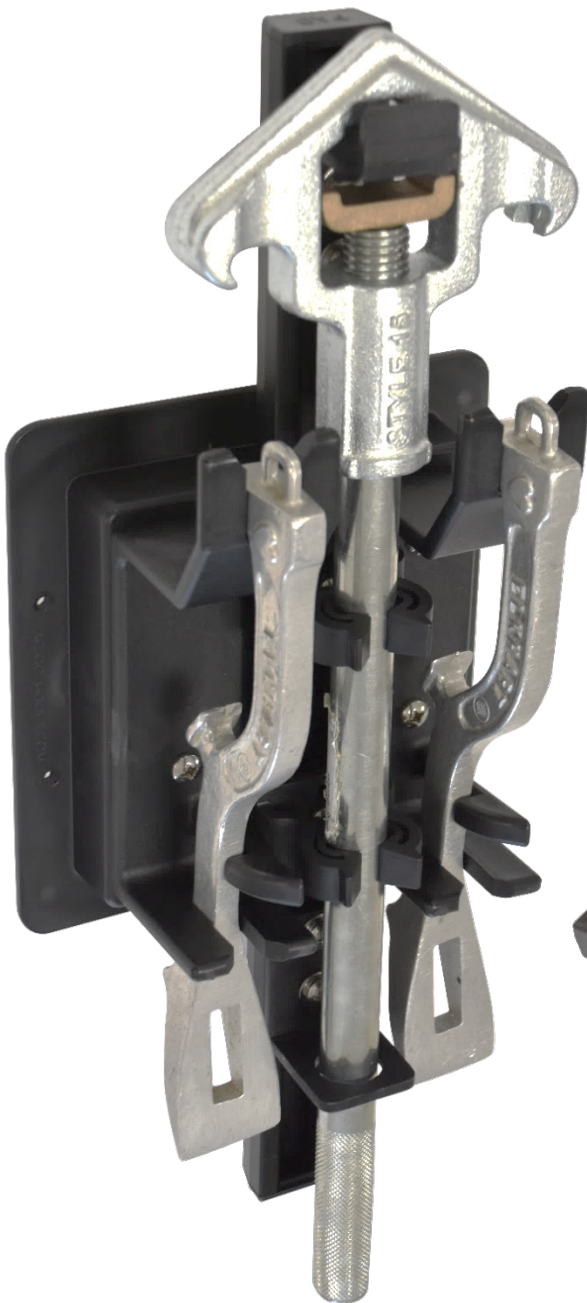


BASE COLOR BLACK	PRODUCT NUMBER K5016
MOUNTING HARDWARE (INCLUDED)	FLAT SURFACES PAC TRAC
MOUNTING HARDWARE (OPTIONAL)	REFER TO PAGE 46 – INSERTS & CHANNEL NUTS
PRODUCT WT. DIMENSIONS	2 lbs 7.75" L x 4.31" W x 18.25" H

MSRP: \$146.95

The Spanner/Hydrant Wrench Mount secures spanner and hydrant wrenches in a compact space. The bracket is compatible with most brands, models, and materials of spanner wrenches. The spanner wrenches simply hook over and snap in place. The hydrant wrench requires the handle to be placed through the ring mount first, then the head is placed over the hook and snapped into the Mini Loks to secure. The bracket will hold hydrant wrenches with a handle diameter up to 7/8" and a weight up to 5lbs. All the components of the bracket can be adjusted to suit the users preference.

- Durable and secure
- Can be mounted horizontal or vertical
- Rugged injection molded components made from high quality materials
- Weather, UV resistant
- Non-conductive mounting surface
- Stainless Steel Hardware included.
- Adjustable components for hydrant wrench
- Certified 9G shock test using standard tools
- Accommodates standard hydrant wrench handle lengths from 12"-16" long

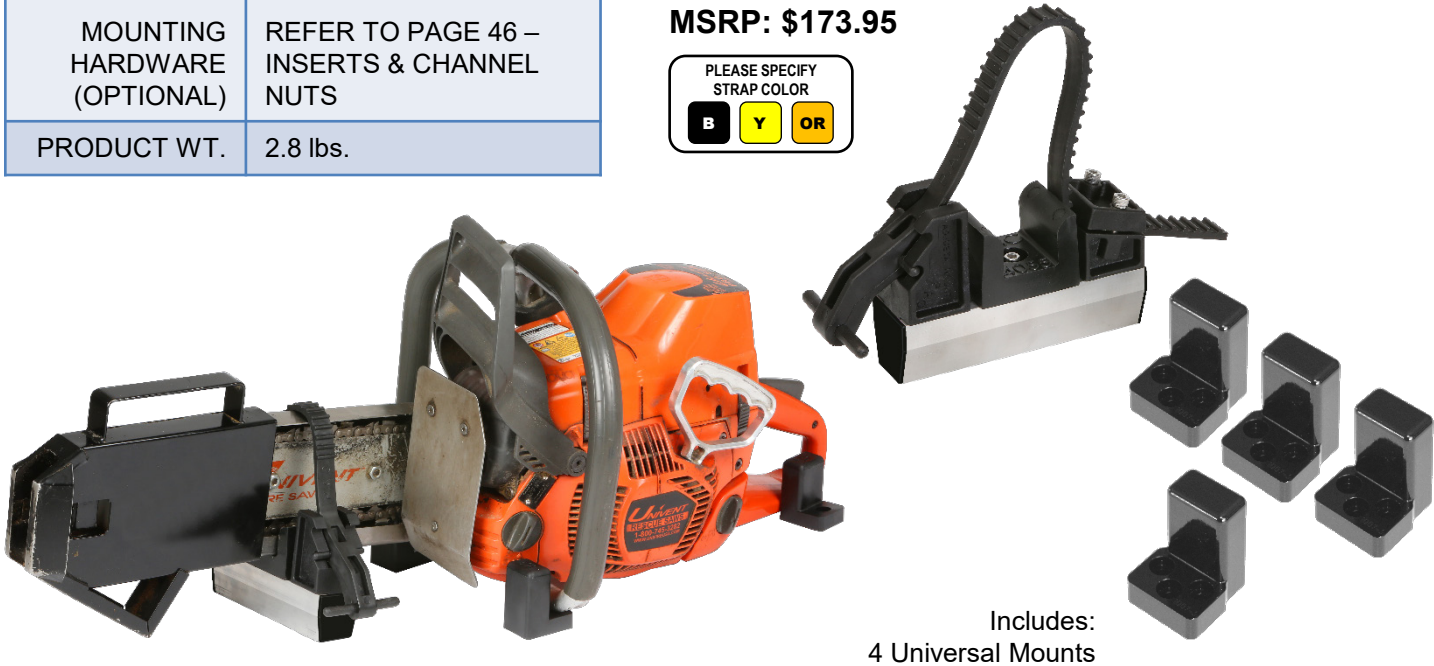


STRAP COLOR BLACK YELLOW ORANGE	PRODUCT NUMBER K5025-B K5025-Y K5025-OR
MOUNTING HARDWARE (INCLUDED)	FLAT SURFACES PAC TRAC
MOUNTING HARDWARE (OPTIONAL)	REFER TO PAGE 46 – INSERTS & CHANNEL NUTS
PRODUCT WT.	2.8 lbs.

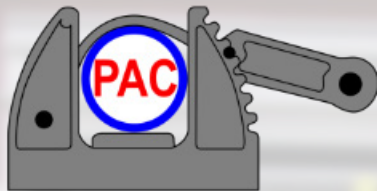
The Vent Saw Kit secures Vent Saws with a strap over the bar cover and with 4 Universal Mounts. This kit can also be used for many other saw mounting applications.

- Molded from high quality materials
- High strength locking strap retains the saw bar and provides quick release
- Anodized aluminum for corrosion resistance, durability, and easy to clean
- Weather, UV resistant and non-conductive

MSRP: \$173.95



Includes:
4 Universal Mounts



LIMITED LIFETIME WARRANTY

SUBJECT TO PACS INSPECTION AND EVALUATION, ANY PART THAT FAILS UNDER NORMAL SERVICE WILL BE REPLACED AT NO CHARGE. EXCEPT FOR THE PAC WARRANTY, WE DISCLAIM LIABILITY FOR INCIDENTAL AND CONSEQUENTIAL DAMAGES DUE TO PRODUCT MODIFICATIONS FROM ORIGINAL STATE OR USAGE OUTSIDE INTENDED APPLICATION. PRODUCT AVAILABILITY MAY IMPACT REPLACEMENT TIMES.

STRUT BASE MOUNT

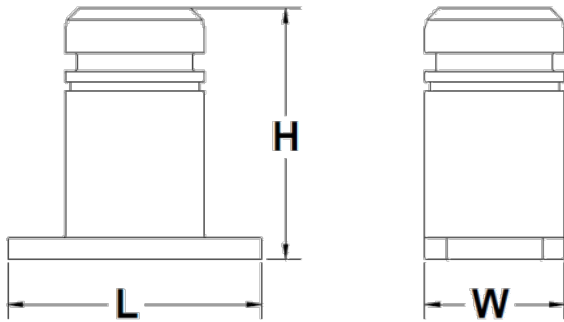


BASE COLOR BLACK	PRODUCT NUMBER 2076
MOUNTING HARDWARE (INCLUDED)	FLAT SURFACES PAC TRAC
MOUNTING HARDWARE (OPTIONAL)	REFER TO PAGE 46 – INSERTS & CHANNEL NUTS
PRODUCT WT. DIMENSIONS	0.5 lbs. 4.5" L x 2.4" W x 4.4" H

The Strut Base Mount provides a secured mounting base to hold most Paratech struts and base mounts. The Strut Base Mount can also be used for many other mounting solutions.

- Molded from high quality materials
- Weather, UV resistant
- Non-conductive

MSRP: \$32.95



STRUT MOUNT KIT



BASE COLOR BLACK	PRODUCT NUMBER K1022
MOUNTING HARDWARE (INCLUDED)	FLAT SURFACES PAC TRAC
MOUNTING HARDWARE (OPTIONAL)	REFER TO PAGE 46 – INSERTS & CHANNEL NUTS
PRODUCT WT.	4.9 lbs.

The Strut Mount Kit provides a secured mounting system to hold most struts.

- Molded from high quality materials
- Weather, UV resistant
- Non-conductive

MSRP: \$203.95



HEAVY RESCUE TOOL MT. KIT W/FASTLOK

STRAP COLOR BLACK YELLOW ORANGE	PRODUCT NUMBER K5035FL-B K5035FL-Y K5035FL-OR
MOUNTING HARDWARE (INCLUDED)	FLAT SURFACES PAC TRAC
MOUNTING HARDWARE (OPTIONAL)	REFER TO PAGE 46 – INSERTS & CHANNEL NUTS
PRODUCT WT.	4.5 lbs.

The Heavy Rescue Tool Mounting Kit with 1020 Fastlok supports, locates and secures most all rescue tools including Cutters, Spreaders and Combi tools. Works great with the eDraulic tools. Your tools can be mounted vertically, horizontally or angled.

- Heavy duty construction
- Multiple mounting positions
- Mounts most Heavy Rescue tools, even electric tools
- Anodized aluminum for corrosion resistance, durability, and easy to clean
- Weather, UV resistant
- Non-conductive

PLEASE SPECIFY STRAP COLOR
B **Y** **OR**



MSRP: \$252.95

HEAVY RESCUE TOOL MT. KIT W/JUMBO LOK

STRAP COLOR BLACK YELLOW ORANGE	PRODUCT NUMBER K5035JL-B K5035JL-Y K5035JL-OR
MOUNTING HARDWARE (INCLUDED)	FLAT SURFACES PAC TRAC
MOUNTING HARDWARE (OPTIONAL)	REFER TO PAGE 46 – INSERTS & CHANNEL NUTS
PRODUCT WT.	2.5 lbs.

The Heavy Rescue Tool Mounting Kit with 1070 Jumbo Lok supports, locates and secures most all rescue tools including Cutters, Spreaders and Combi tools. Your tools can be mounted vertically, horizontally or angled.

- Heavy duty construction
- Multiple mounting positions
- Mounts most Heavy Rescue tools
- Weather, UV resistant
- Non-conductive

MSRP: \$182.95

PLEASE SPECIFY STRAP COLOR
B **Y** **OR**



HEAVY RESCUE TOOL MT. KIT W/SUPER ADJUSTAMOUNT

STRAP COLOR BLACK YELLOW ORANGE	PRODUCT NUMBER K5035SA-B K5035SA-Y K5035SA-OR
MOUNTING HARDWARE (INCLUDED)	FLAT SURFACES PAC TRAC
MOUNTING HARDWARE (OPTIONAL)	REFER TO PAGE 46 – INSERTS & CHANNEL NUTS
PRODUCT WT.	4.1 lbs.

The Heavy Rescue Tool Mounting Kit with K5050 Super Adjustamount Kit supports, locates and secures most all rescue tools including Cutters, Spreaders and Combi tools. Your tools can be mounted vertically, horizontally or angled.

- Heavy duty construction
- Multiple mounting positions
- Mounts most Heavy Rescue tools
- Anodized aluminum for corrosion resistance, durability, and easy to clean
- Weather, UV resistant
- Non-conductive

MSRP: \$208.95

PLEASE SPECIFY STRAP COLOR
B **Y** **OR**



SPREADER BASE POCKET KIT W/FASTLOK



BASE COLOR BLACK YELLOW ORANGE	PRODUCT NUMBER K5026FL-B K5026FL-Y K5026FL-OR
MOUNTING HARDWARE (INCLUDED)	FLAT SURFACES PAC TRAC
MOUNTING HARDWARE (OPTIONAL)	REFER TO PAGE 46 – INSERTS & CHANNEL NUTS
PRODUCT WT.	4.1 lbs.

The Spreader Base Pocket with K5020 Fastlok Adjustamount Kit is designed to locate and support heavy duty rescue tools such as spreaders and combination tools.

- Can be used to mount tool laying down or standing up
- Molded form high quality materials
- Anodized aluminum for corrosion resistance, durability, and easy to clean
- Weather, UV resistant
- Impact resistant
- Non-conductive



MSRP: \$157.95



SPREADER BASE POCKET KIT W/JUMBO LOK



STRAP COLOR BLACK YELLOW ORANGE	PRODUCT NUMBER K5026JL-B K5026JL-Y K5026JL-OR
MOUNTING HARDWARE (INCLUDED)	FLAT SURFACES PAC TRAC
MOUNTING HARDWARE (OPTIONAL)	REFER TO PAGE 46 – INSERTS & CHANNEL NUTS
PRODUCT WT.	2.5 lbs.

The Spreader Base Pocket with 1070 Jumbo Lok is designed to locate and support heavy duty rescue tools such as spreaders and combination tools.

- Can be used to mount tool laying down or standing up
- Molded form high quality materials
- Weather, UV resistant
- Impact resistant
- Non-conductive

MSRP: \$104.95



SPREADER BASE POCKET KIT W/SUPER ADJUSTAMOUNT



STRAP COLOR BLACK YELLOW ORANGE	PRODUCT NUMBER K5026SA-B K5026SA-Y K5026SA-OR
MOUNTING HARDWARE (INCLUDED)	FLAT SURFACES PAC TRAC
MOUNTING HARDWARE (OPTIONAL)	REFER TO PAGE 46 – INSERTS & CHANNEL NUTS
PRODUCT WT.	3.2 lbs.

The Spreader Base Pocket with K5050 Super Adjustamount Kit is designed to locate and support heavy duty rescue tools such as spreaders and combination tools.

- Can be used to mount tool laying down or standing up
- Molded form high quality materials
- Anodized aluminum for corrosion resistance, durability, and easy to clean
- Weather, UV resistant
- Impact resistant
- Non-conductive



MSRP: \$104.95



BASE COLOR BLACK YELLOW ORANGE	PRODUCT NUMBER K1022FL-B K1022FL-Y K1022FL-OR
MOUNTING HARDWARE (INCLUDED)	FLAT SURFACES PAC TRAC
MOUNTING HARDWARE (OPTIONAL)	REFER TO PAGE 46 – INSERTS & CHANNEL NUTS
PRODUCT WT.	4.2 LBS.

The PAC Ram Base Mount Kit with K5020 Fastlok Adjustamount is a versatile 2 sided mount. Use one side to support and locate hydraulic rams and struts from most manufacturers. Use the other side to support and locate jacks, struts and more!

- Heavy duty construction
- Mounts most Ram brands, even electric tools
- Anodized aluminum for corrosion resistance, durability, and easy to clean
- Weather, UV resistant
- Non-conductive



MSRP: \$204.95



BASE COLOR BLACK YELLOW ORANGE	PRODUCT NUMBER K1022JL-B K1022JL-Y K1022JL-OR
MOUNTING HARDWARE (INCLUDED)	FLAT SURFACES PAC TRAC
MOUNTING HARDWARE (OPTIONAL)	REFER TO PAGE 46 – INSERTS & CHANNEL NUTS
PRODUCT WT.	2.5 lbs.

The PAC Ram Base Mount Kit with 1070 Jumbo Lok is a versatile 2 sided mount. Use one side to support and locate hydraulic rams and struts from most manufacturers. Use the other side to support and locate jacks, struts and more!

- Heavy duty construction
- Mounts most Ram brands, even electric tools
- Weather, UV resistant
- Non-conductive

MSRP: \$136.95



BASE COLOR BLACK YELLOW ORANGE	PRODUCT NUMBER K1022SA-B K1022SA-Y K1022SA-OR
MOUNTING HARDWARE (INCLUDED)	FLAT SURFACES PAC TRAC
MOUNTING HARDWARE (OPTIONAL)	REFER TO PAGE 46 – INSERTS & CHANNEL NUTS
PRODUCT WT.	3.1 lbs.

The PAC Ram Base Mount Kit with K5050 Super Adjustamount is a versatile 2 sided mount. Use one side to support and locate hydraulic rams and struts from most manufacturers. Use the other side to support and locate jacks, struts and more!

- Heavy duty construction
- Mounts most Ram brands, even electric tools
- Anodized aluminum for corrosion resistance, durability, and easy to clean
- Weather, UV resistant
- Non-conductive



MSRP: \$165.95



RECTANGULAR BASE POCKET KIT W/FASTLOK



BASE COLOR BLACK YELLOW ORANGE	PRODUCT NUMBER K5081FL-B K5081FL-Y K5081FL-OR
MOUNTING HARDWARE (INCLUDED)	FLAT SURFACES PAC TRAC
MOUNTING HARDWARE (OPTIONAL)	REFER TO PAGE 46 – INSERTS & CHANNEL NUTS
PRODUCT WT.	4 lbs

The Rectangular Base Mounting Kit combines the speed of the K5020 Fastlok with the durability and versatility of the 1081 Heavy Rescue Base. Tools can be mounted vertically, horizontally or angled.

- Heavy duty construction
- Multiple mounting positions
- Mounts most Heavy Rescue tools, even electric tools
- Weather, UV resistant
- Non-conductive
- Includes Stainless Steel fasteners
- Mounts to PAC tool boards and other flat surfaces
- Straps available in Yellow, Black and Orange



PLEASE SPECIFY STRAP COLOR

B **Y** **OR**

MSRP: \$191.95

RECTANGULAR BASE POCKET KIT W/JUMBO LOK



STRAP COLOR BLACK YELLOW ORANGE	PRODUCT NUMBER K5081JL-B K5081JL-Y K5081JL-OR
MOUNTING HARDWARE (INCLUDED)	FLAT SURFACES PAC TRAC
MOUNTING HARDWARE (OPTIONAL)	REFER TO PAGE 46 – INSERTS & CHANNEL NUTS
PRODUCT WT.	2.4 lbs

The Rectangular Base Mounting Kit combines the speed of the K5070 Jumbo Lok with the durability and versatility of the 1081 Heavy Rescue Base. Tools can be mounted vertically, horizontally or angled.

- Heavy duty construction
- Multiple mounting positions
- Mounts most Heavy Rescue tools, even electric tools
- Weather, UV resistant
- Non-conductive
- Includes Stainless Steel fasteners
- Mounts to PAC tool boards and other flat surfaces
- Straps available in Yellow, Black and Orange



PLEASE SPECIFY STRAP COLOR

B **Y** **OR**

MSRP: \$125.95

RECTANGULAR BASE POCKET KIT W/SUPER ADJUSTAMOUNT



STRAP COLOR BLACK YELLOW ORANGE	PRODUCT NUMBER K5081SA-B K5081SA-Y K5081SA-OR
MOUNTING HARDWARE (INCLUDED)	FLAT SURFACES PAC TRAC
MOUNTING HARDWARE (OPTIONAL)	REFER TO PAGE 46 – INSERTS & CHANNEL NUTS
PRODUCT WT.	3.1 lbs

Rectangular Base Mounting Kit with K5050 Super Adjustamount Kit is designed to locate and support heavy duty rescue tools such as spreaders and combination tools.

- Can be used to mount tool laying down or standing up
- Molded from high quality materials
- Anodized aluminum for corrosion resistance, durability, and easy to clean
- Weather, UV resistant
- Impact resistant
- Non-conductive



PLEASE SPECIFY STRAP COLOR

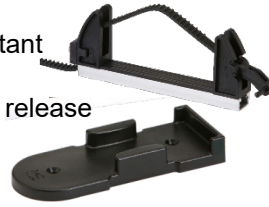
B **Y** **OR**

MSRP: \$141.95

STRAP COLOR BLACK YELLOW ORANGE	PRODUCT NUMBER K5021-B K5021-Y K5021-OR
MOUNTING HARDWARE (INCLUDED)	FLAT SURFACES PAC TRAC
MOUNTING HARDWARE (OPTIONAL)	REFER TO PAGE 46 – INSERTS & CHANNEL NUTS
PRODUCT WT.	2.5 lbs.

The Amkus Cutter/Spreader Kit is designed specifically for Amkus hydraulic spreaders and cutters with the “hourglass” shaped base. Tools are secured in a vertical position for easy loading and removal.

- Made for Amkus Spreaders (AMK-24, AMK-22) and Amkus Cutters (AMK-21, AMK-21A)
- Molded from high quality materials
- Easy to use
- Weather, UV resistant
- Impact resistant
- Fast action instant release
- Non-conductive



SPECIFICALLY DESIGNED FOR:
AMKUS
RESCUE SYSTEMS



HOURLASS SHAPED BASE

PLEASE SPECIFY STRAP COLOR
B Y OR

MSRP: \$157.95

STRAP COLOR BLACK YELLOW ORANGE	PRODUCT NUMBER K5022-B K5022-Y K5022-OR
MOUNTING HARDWARE (INCLUDED)	FLAT SURFACES PAC TRAC
MOUNTING HARDWARE (OPTIONAL)	REFER TO PAGE 46 – INSERTS & CHANNEL NUTS
PRODUCT WT.	2.9 lbs.

The Amkus Cutter/Combi Kit is designed for Amkus hydraulic cutters and combi tools with the rectangular shaped base. Tools are secured in a vertical position for easy loading and removal.

- Made for Amkus Cutters (AMK-25, AMK-25E) and Amkus Combi Tools (AMK-25C, AMK-C15)
- Molded from high quality materials
- Easy to use
- Weather, UV resistant
- Impact resistant
- Fast action instant release
- Non-conductive



SPECIFICALLY DESIGNED FOR:
AMKUS
RESCUE SYSTEMS



RECTANGULAR SHAPED BASE

PLEASE SPECIFY STRAP COLOR
B Y OR

MSRP: \$163.95

STRAP COLOR BLACK YELLOW ORANGE	PRODUCT NUMBER K5023-B K5023-Y K5023-OR
MOUNTING HARDWARE (INCLUDED)	FLAT SURFACES PAC TRAC
MOUNTING HARDWARE (OPTIONAL)	REFER TO PAGE 46 – INSERTS & CHANNEL NUTS
PRODUCT WT.	2.9 lbs.

The Amkus Ram Mount Kit is designed for Amkus hydraulic Rams. Tools are secured in a vertical position for easy loading and removal.

- Molded from high quality materials
- Easy to use
- Weather, UV resistant
- Impact resistant
- Fast action instant release
- Non-conductive



SPECIFICALLY DESIGNED FOR:
AMKUS
RESCUE SYSTEMS



PLEASE SPECIFY STRAP COLOR
B Y OR

MSRP: \$168.95

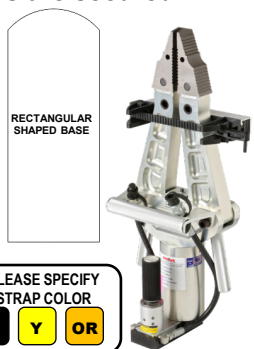
STRAP COLOR BLACK YELLOW ORANGE	PRODUCT NUMBER K5024-B K5024-Y K5024-OR
MOUNTING HARDWARE (INCLUDED)	FLAT SURFACES PAC TRAC
MOUNTING HARDWARE (OPTIONAL)	REFER TO PAGE 46 – INSERTS & CHANNEL NUTS
PRODUCT WT.	3.1 lbs.

The Amkus Spreader/Combi Kit HD is designed for Amkus hydraulic spreaders and combi tools with a rectangular base.. Tools are secured in a vertical position for easy loading and removal.

- Made for Amkus Spreader (AMK-30CRT) and Amkus Combi Tool (AMK-C15)
- Comes with taller strut for the greater wall offset
- Molded from high quality materials
- Easy to use
- Weather, UV resistant
- Impact resistant
- Fast action instant release
- Non-conductive



SPECIFICALLY DESIGNED FOR:
AMKUS
RESCUE SYSTEMS



RECTANGULAR SHAPED BASE

PLEASE SPECIFY STRAP COLOR
B Y OR

MSRP: \$166.95

STANDARD CYLINDER MATE

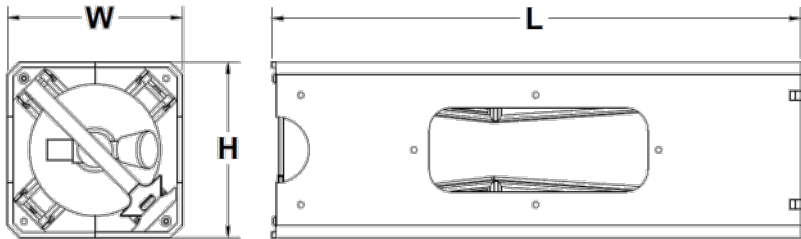


STRAP COLOR YELLOW	PRODUCT NUMBER CM6000
MOUNTING HARDWARE (INCLUDED)	REFER TO PAGE 46 – INSERTS & CHANNEL NUTS
PRODUCT WT. DIMENSIONS	10 lbs 24.5" L x 8" W x 8" H

The Standard Cylinder Mate securely stores and protects SCBA cylinders. The Cylinder Mate self-centers the air cylinder producing safe and secure storage from impact in any direction.

- Holds bottles up to 23 1/8" in length
- Molded from high quality materials
- High strength locking strap retains the air cylinder with a simple to use latching and removal process
- Weather, UV resistant
- Non-conductive
- Matching mounting holes allow individual Cylinder Mates to form storage units
- Pressure can be read while contained
- Empty cylinders can be safely stored and removed when installed backwards

MSRP: \$233.95



EXTENDED CYLINDER MATE

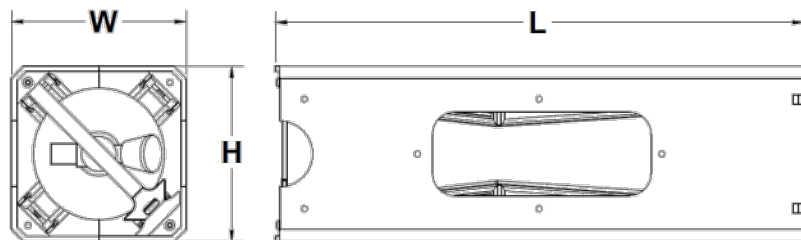


STRAP COLOR RED	PRODUCT NUMBER CM6060
MOUNTING HARDWARE (INCLUDED)	REFER TO PAGE 46 – INSERTS & CHANNEL NUTS
PRODUCT WT. DIMENSIONS	10.7 lbs. 26.5"L x 8.0"W x 8.0"H

The Extended Cylinder Mate securely stores and protects SCBA cylinders. The Cylinder Mate self-centers the air cylinder producing safe and secure storage from impact in any direction.

- Holds bottles up to 25" in length
- Molded from high quality materials
- High strength locking strap retains the air cylinder with a simple to use latching and removal process
- Weather, UV resistant
- Non-conductive
- Matching mounting holes allow individual Cylinder Mates to form storage units
- Pressure can be read while contained
- Empty cylinders can be safely stored and removed when installed backwards

MSRP: \$283.95



STRAP COLOR YELLOW RED	PRODUCT NUMBER CM6000-12 CM6060-12
WHEEL DIAMETER	8"
PRODUCT WT.	155 lbs. (CM6000-12) 166 lbs (CM6060-12)
DIMENSIONS CM6000-12 CM6060-12	24.5" L x 24" W x 45" H 26.5" L x 24" W x 45" H

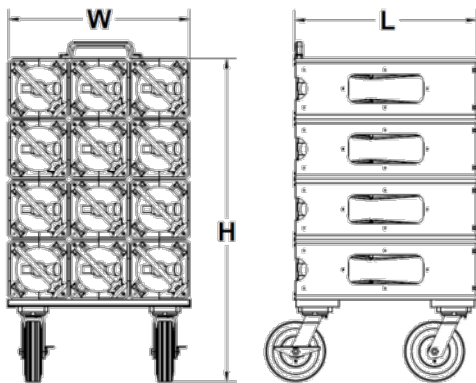
The Cylinder Mate Mobile Storage Units are assembled from individual Cylinder Mates. Standard units of 12 & 16 are available. Mobile units allow air cylinders to be moved or relocated easily for transfer or filling.

- Heavy duty pneumatic wheels with locks on front wheels
- Up to 300lb capacity
- Pull handle for easy control
- P/N CM6000-12
- P/N CM6060-12
- Empty cylinders can be safely stored and removed when installed backwards with new design



MSRP: \$2,107.95 (CM6000-12)

MSRP: \$2,301.95 (CM6060-12)



CM6000-12 shown

STRAP COLOR YELLOW RED	PRODUCT NUMBER CM6000-16 CM6060-16
WHEEL DIAMETER	8"
PRODUCT WT.	201 lbs. (CM6000-16) 214 lbs (CM6060-16)
DIMENSIONS CM6000-16 CM6060-16	24.5" L x 32" W x 45" H 26.5" L x 32" W x 45" H

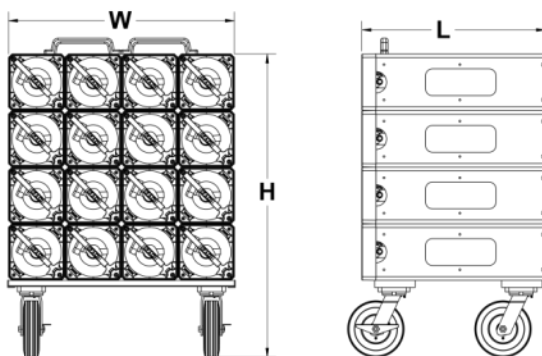
The Cylinder Mate Mobile Storage Units are assembled from individual Cylinder Mates. Standard units of 12 & 16 are available. Mobile units allow air cylinders to be moved or relocated easily for transfer or filling.

- Heavy duty pneumatic wheels with locks on front wheels
- Up to 300lb capacity
- 2 Pull handles for easy control
- P/N CM6000-16 (30-45 min cylinders)
- P/N CM6060-16 (60 min cylinders)
- Empty cylinders can be safely stored and removed when installed backwards with new design



MSRP: \$2,715.95 (CM6000-16)

MSRP: \$2,974.95 (CM6060-16)



CM6060-16 shown

BASE COLOR Black	PRODUCT NUMBER BKM
MOUNTING HARDWARE (INCLUDED)	FLAT SURFACES PAC TRAC
MOUNTING HARDWARE (OPTIONAL)	REFER TO PAGE 46 – INSERTS & CHANNEL NUTS
PRODUCT WT. DIMENSIONS	.4 lbs 1-7/8" W x 2-3/4" H x 11-1/4" D

The Bucket Mount provides a way to hang buckets or traffic safety cones, on a wall instead of taking up floor space.

- Easy to use wall mounted bucket storage
- Buckets drop through and are supported by wire loop
- Fits most buckets 3.5-5 gallon in size and most heights
- Made from strong durable materials
- Folds down and out of the way when bucket is removed
- Compact attachment point
- Compatible with PAC Trac aluminum boards
- Compatible with ROPS brackets for use on roll bars

Introductory Price: \$36.95

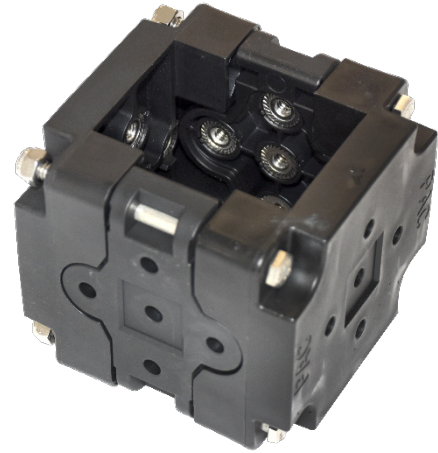


**2x2 TUBING
INSTALLATION**






**P/N K5073
MSRP: \$115.95**

**2x3 TUBING
INSTALLATION**



- Fits most small tractors and mowers with 2"x2" & 2"x3" ROPS
- Easy to install - No drilling
- Utilize the roll bar for convenient storage of tools and safety equipment, such as fire extinguishers and lighting
- Provides secure mounting points for accessories and equipment
- Compatible with PAC made brackets – PAC is the industry leader in tool and equipment mounting for mobile applications
- All parts are made from durable materials
- The clamps can be positioned anywhere along the roll bar, both vertically and horizontally, and with the roll bar in any position
- **ROPS clamps provide a direct mount to the following PAC brackets:**
 - **Handle Lok, Flex Mount, Stow-N-Lok** – These brackets provide secure mounting for rakes, brooms, shovels, pitch forks, flashlights, and most hand tools
 - **Mini Hook** – Provides a clip on feature for bungees, carabiners, or bags
 - **PAC Strut** – Adds additional attachment rail for lights, hangers, signage, and many other accessories
 - **Extinguisher Mount Kit** – Attaches directly to the ROPS clamp

MTG. HARDWARE			QTY
	P/N 2097	1/4-20 x 2-3/4" S.S. Hex Head Screw	4 <small>FOR 2 X 2 TUBE</small>
	P/N 2109	1/4-20 x 3-1/2" S.S. Hex Head Screw	4 <small>FOR 2 X 3 TUBE</small>
	P/N 2069LN	1/4-20 S.S. Hex Nut	4

PAC STRUT



FINISH CLEAR BLACK	PRODUCT NUMBER 2019 2019-B
THICKNESS	.078"
PRODUCT WT. DIMENSIONS	.45 lbs/ft 1-5/8" W x 13/16" H

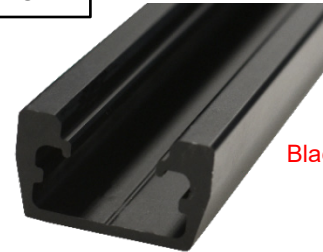
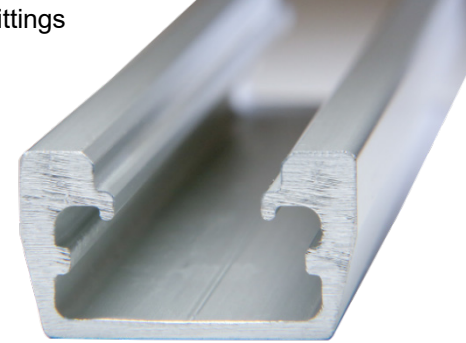
Commonly used to mount various tools and other systems, PAC Strut is a support system which can be supplied in various lengths. PAC supplies this product in Aluminum for easy installation and corrosion resistance.

- Beautiful clear hard anodized finish
- Guide groove in the base for easy centering when drilling mounting holes
- Compatibility with industry standard fittings
- Shallow channel
- Corrosion resistant
- Plain back
- Available by the inch up to 120" max

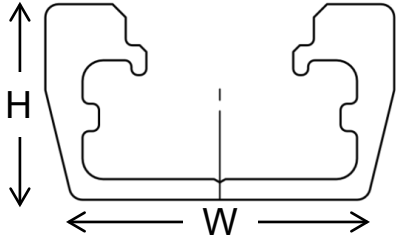
MSRP: \$0.68 / INCH

**USE WITH CHANNEL
NUTS 7018, 7053, 7054**

REFER TO PAGE 46 –
INSERTS & CHANNEL NUTS

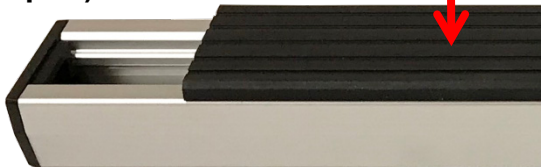


Black Strut Also Available!
P/N: 2019-B
MSRP: \$0.68/inch



Channel Cushion
Sold Separately
(P/N 1006-3, \$7.34/each)

PAC End Caps
Sold Separately
(2019EC-2, \$7.95/pair)



PAC STRUT HD



MATERIAL ALUMINUM	PRODUCT NUMBER 2020
THICKNESS	.109"
PRODUCT WT. DIMENSIONS	.76 lbs/ft 1-5/8" W x 1-5/8" H

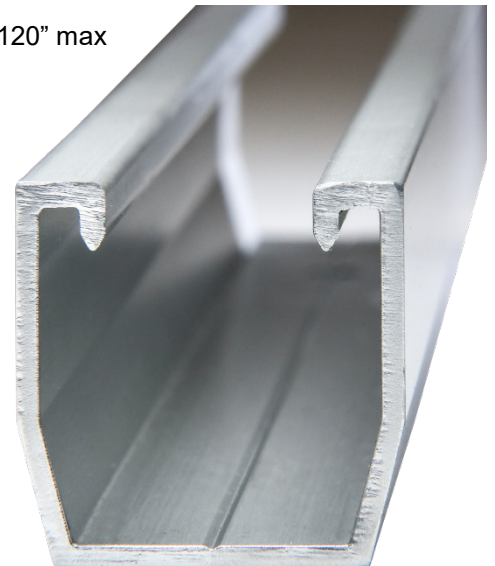
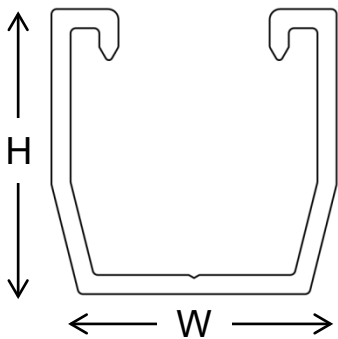
PAC Strut HD is also a commonly used PAC Strut framing channel. PAC supplies this product in Aluminum for easy installation and corrosion resistance.

- Beautiful clear hard anodized finish
- Deep channel
- Corrosion resistant
- Plain back
- Available by the inch up to 120" max

MSRP: \$0.89 / INCH

**USE WITH STEEL CHANNEL
NUTS 7052**

REFER TO PAGE 46 –
INSERTS & CHANNEL NUTS



PAC End Caps Available
Sold Separately
(2020EC-2, \$7.95/pair)



BASE COLOR BLACK	PRODUCT NUMBER LP002-10
MOUNTING HARDWARE (INCLUDED)	REFER TO PAGE 46 – INSERTS & CHANNEL NUTS
PRODUCT WT. DIMENSIONS	1 oz. 3 5/8" L x 1 1/8" W x 1/16" H

Label Plates are available in packs of 10. Each package comes with 10 white labels to make labeling your tools easy.

- Durable reusable material
- Accepts self stick labels (2 1/2" x 1")
- Chemical resistant
- High impact strength
- Mounting screws for PAC Trac available

MSRP: \$15.95

With PAC Trac Hardware (P/N LP002PT-10): \$21.95



BASE COLOR ALUMINUM	PRODUCT NUMBER PSM
DIMENSIONS	6.13" W x 6.63" H x 30" L MAX

The Shelf Mount provides a horizontal mounting surface of PAC DUAL TRAC P/N 7020 or MINI DUAL TRAC P/N 7050 which are compatible with many PAC brackets and hardware. The Shelf Mount provides a rest for mounting heavy rescue tool pockets and other support and locating brackets. The Shelf Mount makes a great add-on to PAC Vertical Slide out tool boards.

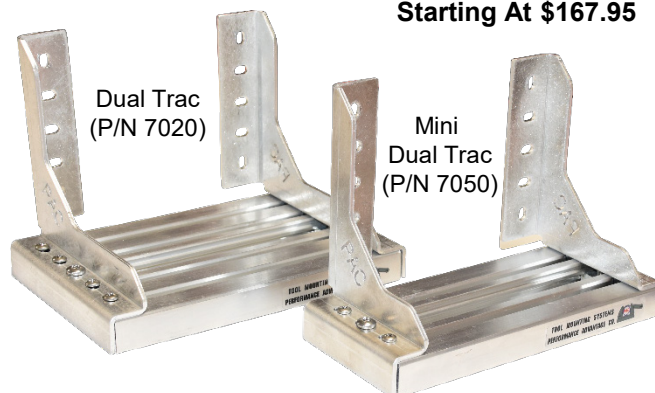


PMS72-2
With 1022
RAM Base
(Not Included)

**Contact PAC
for your perfect
custom shelf!**

- All aluminum construction
- Shelf is compatible with many PAC brackets
- Up to 30" wide
- Heavy duty capacity (up to 50 lbs)
- Mounting hardware included
- Compatible with PAC pockets, adapter mounts and supports.
- Compatible with PAC tool boards

Starting At \$167.95



Dual Trac
(P/N 7020)

Mini
Dual Trac
(P/N 7050)

PMS75-2
with 026
Spreader Pocket
(Not Included)



MINI DUAL CORNER CONNECTOR



MATERIAL ALUMINUM	PRODUCT NUMBER 3018
MOUNTING HARDWARE (INCLUDED)	PAC TRAC
MOUNTING HARDWARE (OPTIONAL)	REFER TO PAGE 46 – INSERTS & CHANNEL NUTS
PRODUCT WT. DIMENSIONS	.11 lbs. 2.8" L x 1.5" W x 1.5" H

The Mini Dual Corner Connector quickly connects corners, sides and bottom sections of PAC extrusions.

- Works best with Mini Dual Trac
- 1/8" thick anodized aluminum for corrosion resistance
- Sold In Pairs



MSRP: \$32.95/Pair

DUAL TRAC CORNER CONNECTOR



MATERIAL ALUMINUM	PRODUCT NUMBER 3027
MOUNTING HARDWARE (INCLUDED)	PAC TRAC
MOUNTING HARDWARE (OPTIONAL)	REFER TO PAGE 46 – INSERTS & CHANNEL NUTS
PRODUCT WT. DIMENSIONS	.27lbs 5.75" L x 2" W x 2" H

The Dual TRAC Corner Connector quickly connects corners, sides and bottom sections of larger PAC extrusions.

- Works best with Dual TRAC and Double Dual Trac
- 1/8" thick anodized aluminum for corrosion resistance
- Sold In Pairs



MSRP: \$42.95/Pair

CUP MOUNT




BASE COLOR BLACK	PRODUCT NUMBER 1033
MOUNTING HARDWARE (INCLUDED)	FLAT SURFACES
MOUNTING HARDWARE (OPTIONAL)	REFER TO PAGE 46 – INSERTS & CHANNEL NUTS
PRODUCT WT. DIMENSIONS	.05 lbs. 4" W x 15/32"

A protective base which also provides easy positioning and locating, under many different types of equipment including SCBA Cylinders, Rams, Jacks, Saws and Hydraulic Pumps. Installs easily without tools. Cup Mounts are a logical companion to Fastlok Adjustamount, Jumbo Lok and other PAC brackets.



MSRP: \$14.95 EACH









MSRP: \$55.95 (4 PACK, K5033)

IMAGE	PRODUCT NUMBER	INCLUDES	THREAD SIZE	MATERIAL	USED FOR	MSRP
	7002	(40) INSERTS & ASST. SCREWS	10-24	PAC NYLON	ALL PAC	\$10.49
	7016-100	(100) INSERTS ONLY	10-24	PAC NYLON	ALL PAC	\$12.59

PAC's Traclok Inserts hold brackets to our entire PAC TRAC family of extrusions. These inserts expand and lock in the tracks when the included screws are tightened. Traclok Inserts are tough and durable. Loosen the screws and the Traclok Inserts can be moved or removed.

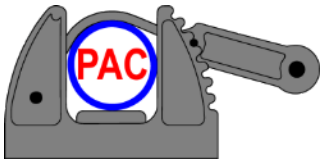
- Works with entire PAC TRAC family
- Durable, non-corrosive
- Installs easily
- Remove, reuse and reposition easily



IMAGE	PRODUCT NUMBER	THREAD SIZE	MATERIAL	USED FOR	MSRP
	3023	10-24	PAC NYLON	DUAL TRAC(S) & PAC STRUT 2019	\$0.93
	3024	1/4-20	PAC NYLON	DUAL TRAC(S) & PAC STRUT 2019	\$0.93
	2104	1/4-20	STEEL / NYLON	DUAL TRAC(S) & PAC STRUT 2019	\$2.72
	2023	1/4-20	GALVANIZED STEEL	DUAL TRAC(S) & PAC STRUT 2019	\$5.24
	2010	1/4-20	GALVANIZED STEEL	UNISTRUT P4000 & PAC STRUT 7062	\$3.24
	2018	1/4-20	GALVANIZED STEEL	UNISTRUT P1000 & PAC STRUT HD	\$3.14
	3014	1/4-20	STAINLESS STEEL	DUAL TRAC(S) & PAC STRUT 2019	CALL
	3022	1/4-20	STAINLESS STEEL	UNISTRUT P4000	CALL

These Channel Nuts hold brackets to our PAC TRAC and DUAL TRAC extrusions. Also included are channel nuts specifically for Unistrut channels. These inserts lock in the tracks when the screw is tightened. Loosen the screws and the Channel Nuts can be moved or removed.

- Durable, non-corrosive
- Installs easily
- Remove, reuse, reposition easily



**PERFORMANCE
ADVANTAGE
COMPANY**

TRADE SHOWS



**FDIC 2022 –
THREE GENERATIONS OF YOUNGS**



OHIO TACTICAL CONFERENCE 2022



FDIC 2022



HARRISBURG 2022



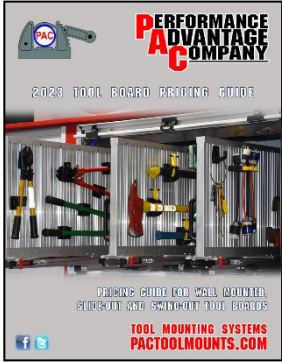
NYS CHIEF OF POLICE 2022



NEW ENGLAND FIRE CHIEFS 2022



POLICE AND SECURITY EXPO 2022



The PAC TRAC Family of products are designed to provide a unique and versatile mounting surface for tools and equipment.

PAC TRAC boards have special grooves or channels which allow the assembly of tool boards and the mounting of brackets and equipment.

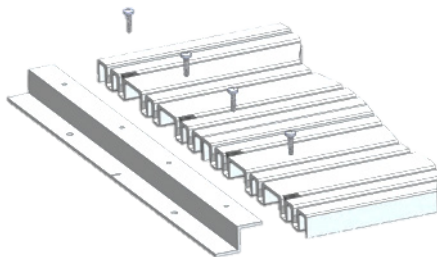
PAC TRAC boards are extruded from 6063-T5 aluminum and available in standard lengths of 50", 70" and 120". Boards are available in width increments of 3-3/4", 5-3/4" and 8-5/8".

The Pac Trac family of extrusion is NFPA 1901 Impact G Force & MIL Grade B certified as a mounting structure for testing tool brackets.



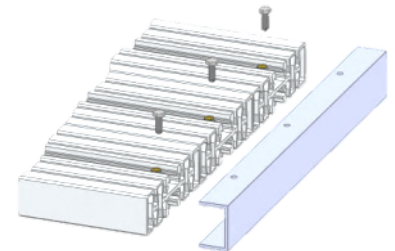
ASSEMBLY METHODS

Assemble tool boards with **Z-Mount** (P/N 7001 and 7001D)

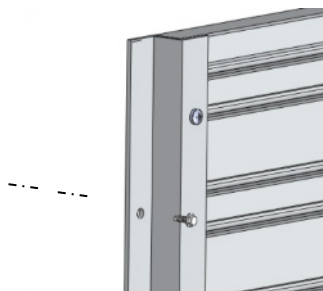


Z & U Channel Kits come in pairs **AND** include hardware. Choose your board type and the number of sections. There is a corresponding frame kit to make your custom tool board assembly simple!

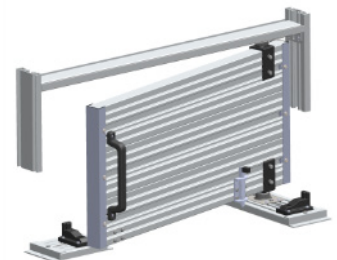
Assemble double sided tool boards with **U-Channel** (P/N 7009)



ATTACHMENT METHODS

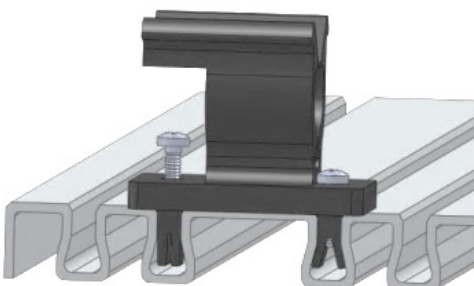


SCREW MOUNTING WITH Z-MOUNT



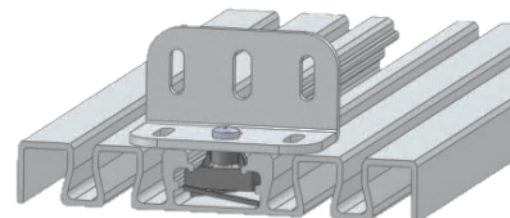
TOOLBOARD ASSEMBLIES

BRACKET MOUNTING METHODS



Trac Lok Inserts (P/N 7016)

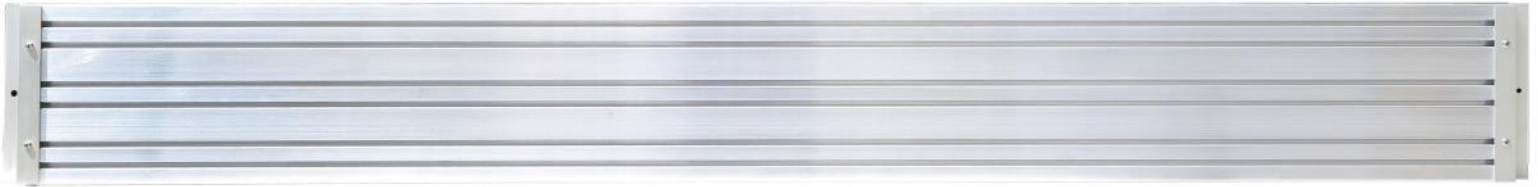
PAC brackets can be installed without drilling holes. Brackets can be relocated, removed or re-oriented easily. Brackets are attached to PAC TRAC products with PAC Trac Lok inserts or optional PAC channel nuts*. For heavy duty applications use optional Steel Uni-Strut channel nuts*.



Channel Nuts (P/N 3023 & P/N 3024)

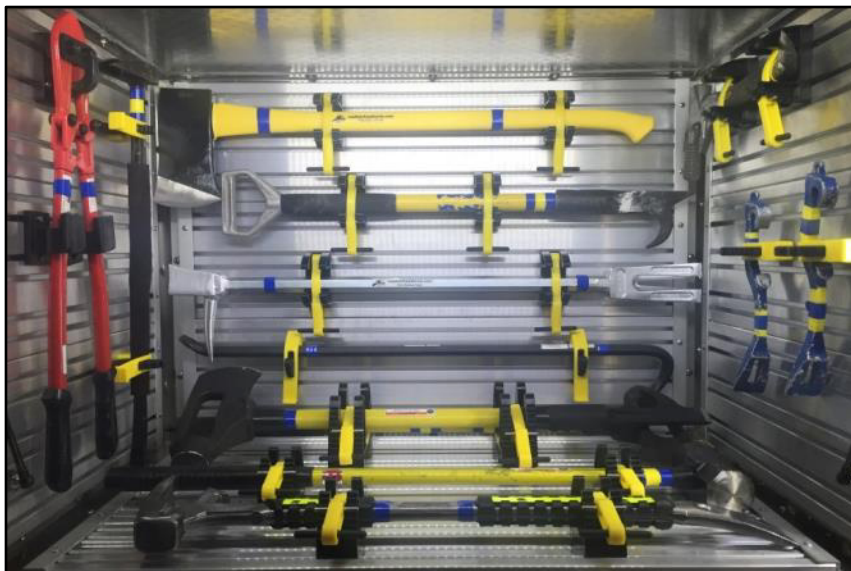
* Mini(7050), Dual(7020) & Double Dual Trac (7040) only

PAC Trac tool boards provide quick, secure installation of brackets, all without drilling holes. Uses lab tested special high strength fasteners to cleanly and effectively mount your tools. PAC Trac's permitted uses include horizontal or vertical slide-out tool boards, swing out tool boards and adjustable self-supporting shelving among other items.



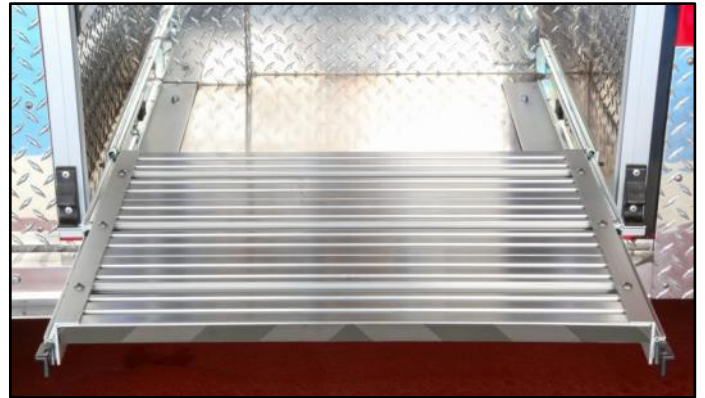
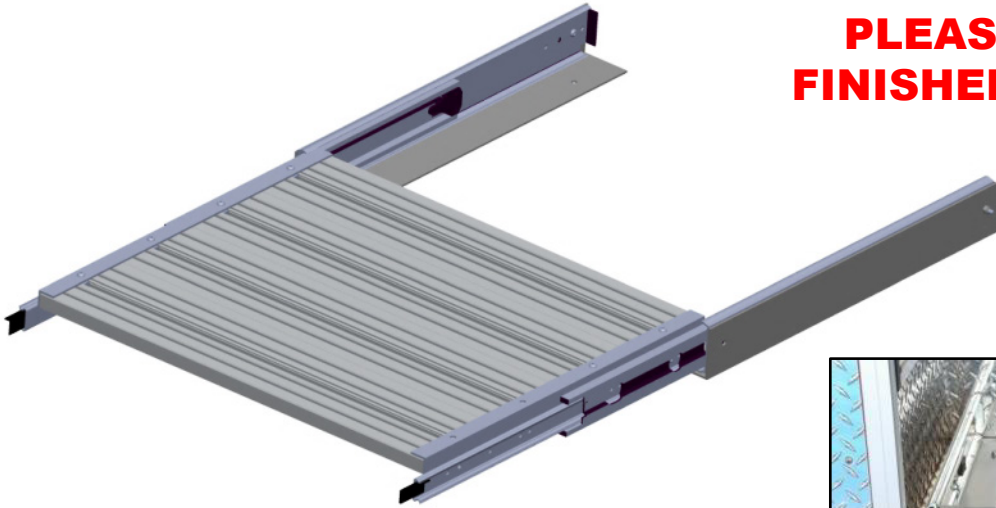
Call our specialists
to configure your custom
tool mounting board.
(1-888-514-0083)

**PLEASE SPECIFY DESIRED
FINISHED SIZES WITH ORDER!!**



A low profile, full extension slide out tool board that provides easy access to tools and equipment. Locks in and out. Ready for bracket mounting. Board material not included. Available in 2 versions for standard or shallow compartments.

PLEASE SPECIFY DESIRED FINISHED SIZES WITH ORDER!!



HD VERTICAL SLIDE OUT TOOL BOARDS

A full extension slide out double sided tool board, that provides easy access to tools and equipment. Locks in and out. Ready for bracket mounting. Board material not included. Available in 2 versions for standard or shallow compartments. (Please specify left or right hand side of the compartment when ordering.)



DOUBLE SIDED

**PLEASE SPECIFY
DESIRED FINISHED
SIZES WITH ORDER!!**



**PLEASE SPECIFY DESIRED
FINISHED SIZES WITH ORDER!!**



SINGLE SIDED

Available in right
and left side slides

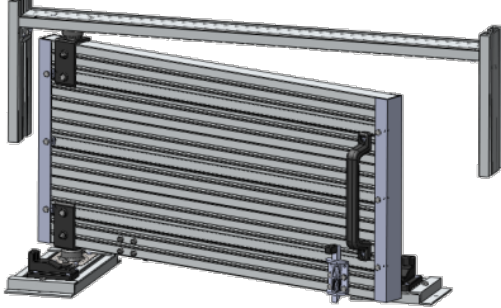


SWING OUT TOOL BOARDS

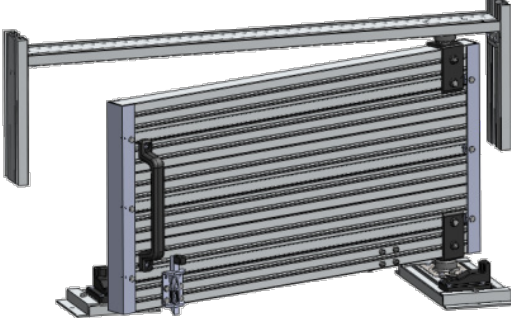


Swing out tool boards are a great way to double your mounting space. Brackets and equipment can be mounted to both sides of the tool board. Multiple configurations create the most efficient use of space and allow better accessibility. Latch closed and open for security.

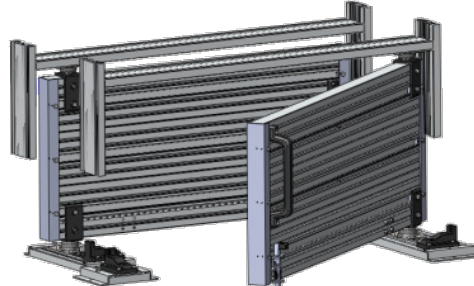
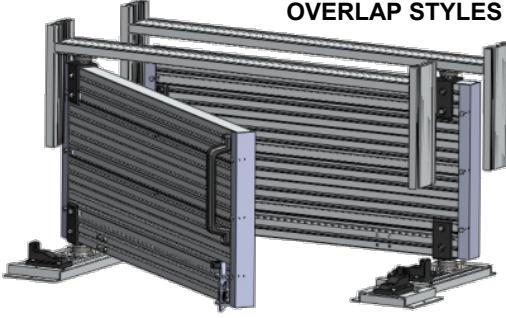
LEFT HAND



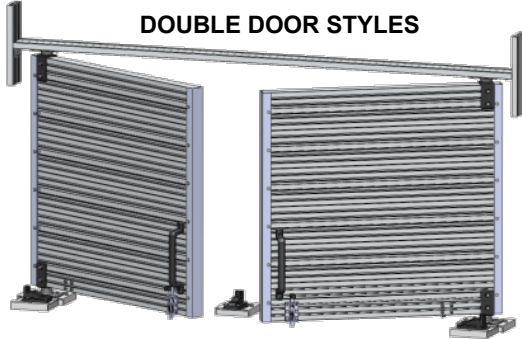
RIGHT HAND



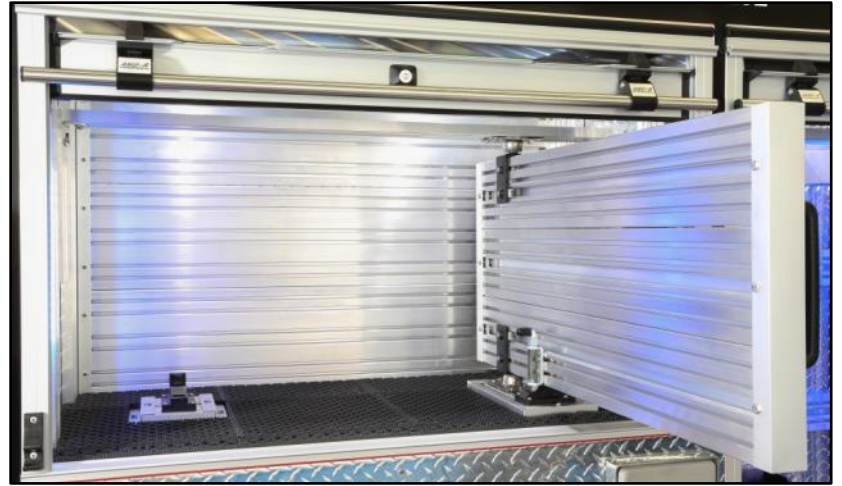
OVERLAP STYLES



DOUBLE DOOR STYLES

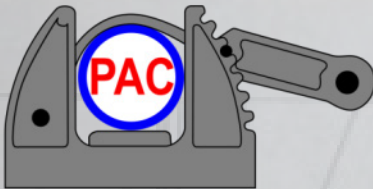
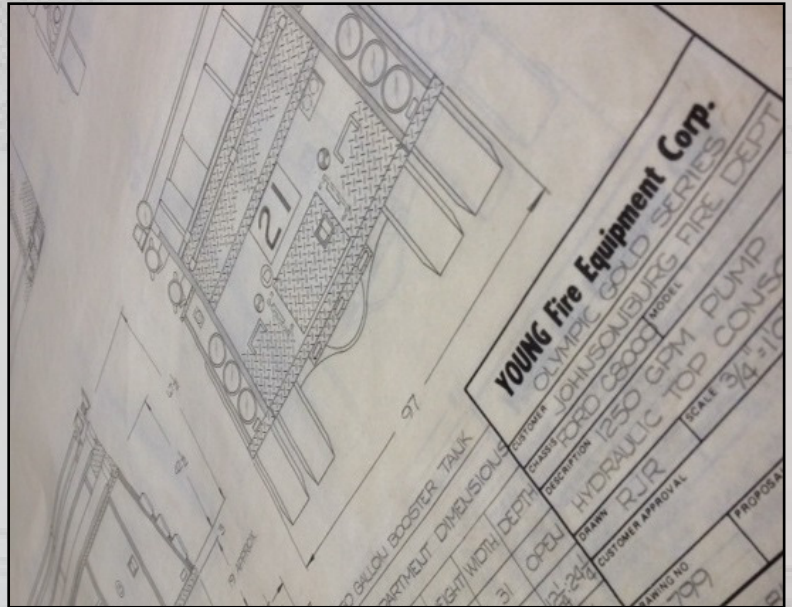


PLEASE SPECIFY DESIRED FINISHED SIZES WITH ORDER!!





PAC was founded on the experience of Dick Young, former President of Young Fire Equipment. His experience and innovation in the Fire Truck market is what makes PAC Tool Mounts superior. Our knowledgeable team has lifetimes of experience in the Industry. Our passion shows in our proven designs.



Our building houses the Greater Lancaster Fire Fighting Museum. We are dedicated to preserving the Fire History of Lancaster, NY. The newest exhibits feature two companies from Lancaster, NY; fire fighting innovators - Young Fire Equipment and Scott Aviation!

Jerry would be glad to give a tour!

Email Jerry@pactoolmounts.com.

The museum also sponsors the hugely popular Lancaster Christmas Fire Truck parade.

TOOL MOUNTING SYSTEMS
PACTOOLMOUNTS.COM

TRADITION - SAFETY - VALUE

**PERFORMANCE
ADVANTAGE
PAC COMPANY**



CONTACT US TODAY!

**TAKE ADVANTAGE OF OUR
INDUSTRY LEADING
TOOL MOUNTING SOLUTIONS
& CUSTOMER SERVICE!!**

**WEB: WWW.PACTOOLMOUNTS.COM
EMAIL: INFO@PACTOOLMOUNTS.COM**

OUR CUSTOMER SERVICE TEAM

GREG YOUNG GREG@PACTOOLMOUNTS.COM	VP SALES & OPERATIONS
TAMMY TRZEPACZ TAMMY@PACTOOLMOUNTS.COM	INTERNATIONAL SALES TECHNICAL SUPPORT
TOM TRZEPACZ TOM@PACTOOLMOUNTS.COM	FIRE / UTILITY / TOWING / LANDSCAPING TECHNICAL SUPPORT AND PRODUCT TRAINING
MIKE MCGUIRE MIKE@PACTOOLMOUNTS.COM	FIRE / LAW ENFORCEMENT / MILITARY SALES TECHNICAL SUPPORT

**>>>> SEND PURCHASE ORDERS TO ORDERS@PACTOOLMOUNTS.COM <<<<
(PLEASE SPECIFY DESIRED FINISHED SIZES WITH ORDER!!)**

**PERFORMANCE ADVANTAGE COMPANY
10 WEST MAIN STREET
LANCASTER, NY 14086
PHONE TOLL FREE: 1-888-514-0083
FAX TOLL FREE: 1-877-741-9206**

