



PRODUCT DATA SHEET



P/N: LE5050 SUPER ADJUSTAMOUNT KIT - STANDARD

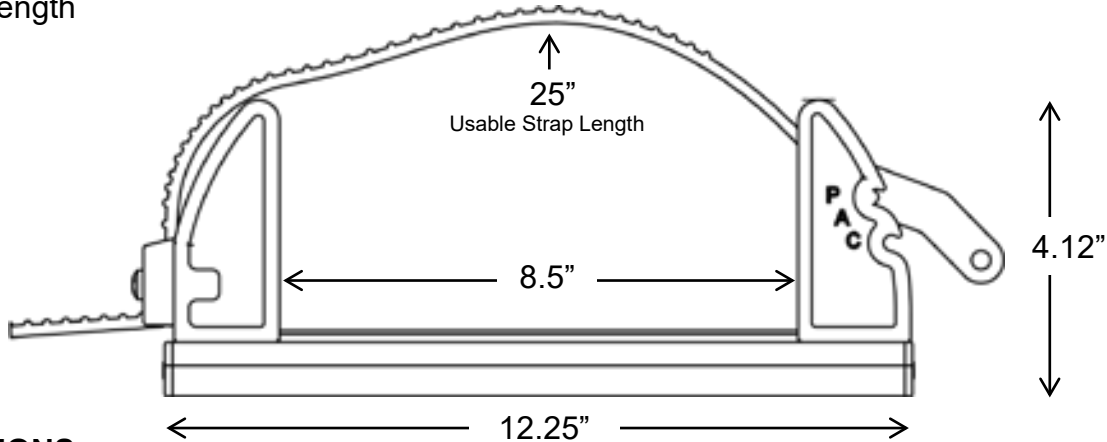
The Standard Super Adjustamount Kit offers more tool mounting capacity than our Standard Adjustamount Kit. Super Adjustamount Kits are commonly combined with other PAC brackets to provide complete tool mounting solutions. Super Adjustamount modules are TALLER than standard Adjustamount modules. Includes 1050 & 12" long section of 2019 (13/16" x 1-5/8") PAC Strut.

TYPICAL SPECIFICATION

Mounting bracket Super Adjustamount Kit Standard PAC PN K5050 shall include an adjustable strap to secure equipment. Components shall be made from tough, corrosion free material. Hardware shall be stainless steel. Users shall be protected from conductivity.

FEATURES

- Components are molded from high quality materials
- Adjustable lock strap capable to 5400 PSI tensile strength
- 25" usable strap length
- Can be mounted horizontally or vertically



SPECIFICATIONS

P/N	WT.	MAX LOAD	GRIP RANGE	FLAME TOXICITY CHEMICAL
LE5050	1.8 lbs	N/A	Up to 4-3/8"	GOOD

Dimensions 12" L x 1.88" W x 4.12" H

Performance Advantage Company

Lancaster, New York

www.pactoolmounts.com

888-514-0083

REFERENCE	QTY	REMARKS	PROJECT
			LOCATION
			BUYER
			DEALER
			BUILDER
			SUBMITTED BY: _____ DATE: _____



The Standard Super Adjustamount Kit offers more tool mounting capacity than our Standard Adjustamount Kit. Super Adjustamount Kits are commonly combined with other PAC brackets to provide complete tool mounting solutions. Super Adjustamount modules are TALLER than standard Adjustamount modules. Includes 1050 & 12" long section of 2019-B (13/16" x 1-5/8") PAC Strut.

- Components are molded from high quality materials
- Adjustable lock strap capable to 5400 PSI tensile strength
- 25" usable strap length
- Can be mounted horizontally or vertically