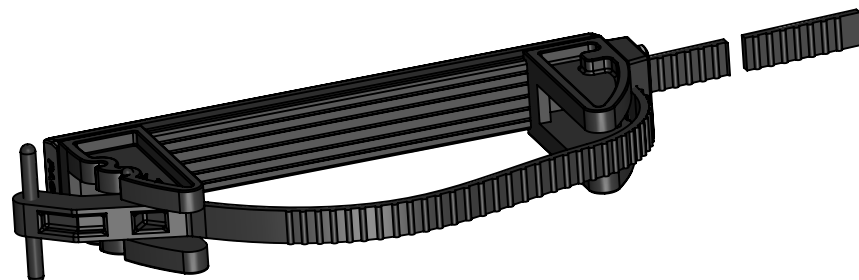
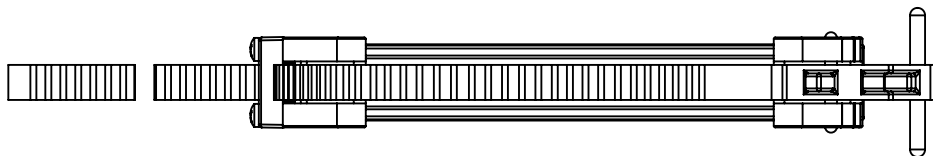
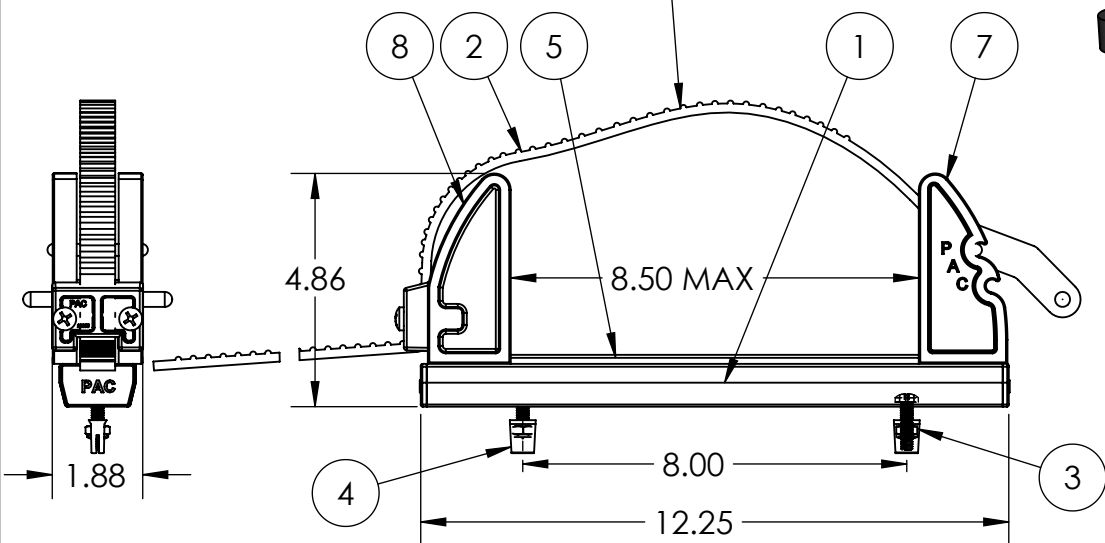


REV	DESCRIPTION	DATE	APPR



25" USABLE STRAP LENGTH



8	1050-911	SUPER ADJ. CLAMP END ASSEMBLY	1	A
7	1050-912	SUPER ADJ. LOCK END ASSEMBLY	1	
6	2019EC	END CAP PAC STRUT	2	
5	1006-3	CHANNEL CUSHION	1	
4	7029	FASTENER KIT-ADJUSTAMOUNT PT	1	
3	2035	FASTENER PACK	1	
2	2008 -1	EXT SAM LOCK STRAP	1	
1	2019-B	PAC STRUT BLACK X 12"	1	
ITEM NO.	PAC P/N	PART NAME	QTY.	REV

NOTES:

PERFORMANCE
ADVANTAGE
COMPANY



TOLERANCES UNLESS OTHERWISE SPECIFIED

.X= ±.03
.XX= ±.010
.XXX= ±.005
.XXXX= ±0.0005
ANGLES ±0.5 °
FRACTIONAL ±1/64

THIRD ANGLE PROJECTION



COLOR

NAME	DATE
DRAWN BY	
APPR. BY	
MFG BY	
MFG. P/N	
ENG APPR.	
MATERIAL	
ALT. MATERIAL	
FINISH	

THE INFORMATION CONTAINED IN THIS DRAWING IS THE SOLE PROPERTY OF **PERFORMANCE ADVANTAGE CO.** ANY REPRODUCTION IN PART OR AS A WHOLE WITHOUT THE WRITTEN PERMISSION OF PERFORMANCE ADVANTAGE CO. IS PROHIBITED.

TITLE:

**TACTICAL SUPER
ADJUSTAMOUNT**

PART NUMBER

LE 5050

REV

SCALE: 1:4

SHEET 1 OF 4