



**TACTICAL** P/N LE 5020   
**FAST LOK ASSEMBLY KITS** P/N LE 5020 L





**INSTALLATION INSTRUCTIONS**

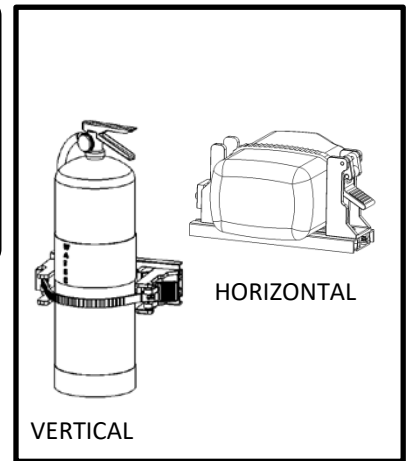
For additional assistance call 888-514-0083 between 8AM-5PM EST or email: info@pactoolmounts.com

**CAUTION**

To avoid the risk of personal injury, property damage or product damage, please use the included fasteners for mounting.

- \* The bracket must be securely mounted to a stable surface and material.
- \* Please follow directions for strap positioning to provide proper equipment holding.
- \* When using Trac Lok inserts **P/N 7016**, tighten the screws to a maximum 15 in-lbs torque.
- \* PAC recommends regular and frequent inspections to be certain of proper operation and installation.

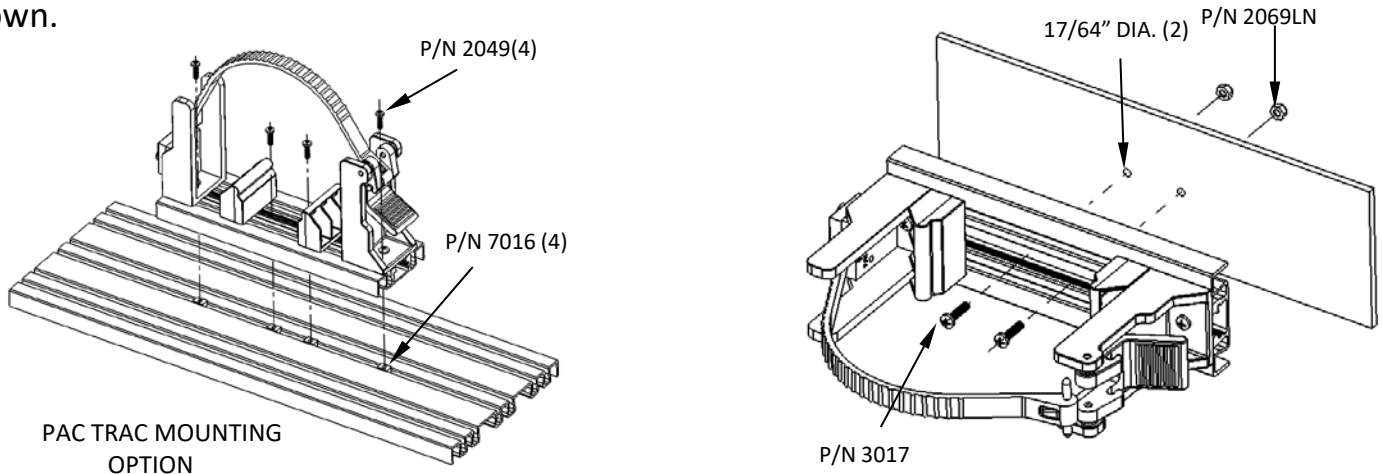
STANDARD MTG. HARDWARE	QTY	PAC TRAC MTG. HARDWARE	QTY
PAC Fastener Packet P/N 7048		PAC Fastener Packet P/N 7003	
 P/N 3017 1/4-20 x 1 S.S. Pan Head Screw	2	 P/N 2049 #10-24 X 3/4 S.S. Pan Head Screw	4
 P/N 2069LN 1/4-20 Nylon Locking Nut	2	 P/N 7016 TRAC LOK INSERT	4



The **Fast Lok** bracket is a multi use product which is provided pre-assembled and requires adjustment to accommodate the various types of equipment to be secured. Care should be taken to ensure the strap and components are adjusted properly.

**STEP 1 - MOUNT BRACKET**

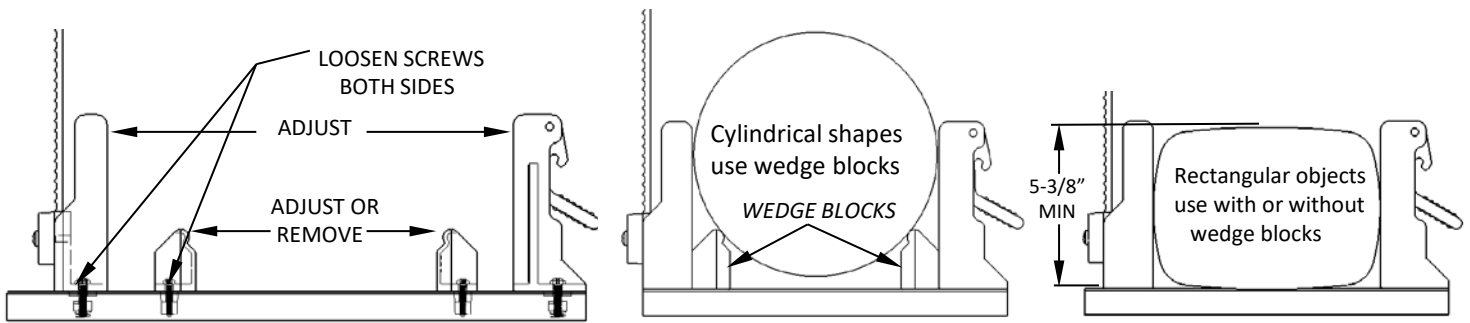
The **Fast Lok** can be mounted horizontally or vertically. Locate the bracket with the equipment positioned in place. (bracket components may be need to be loosened and repositioned) Transfer the mounting holes to the mounting surface and drill 17/64" holes as shown.



Additional holes may be drilled through the aluminum extrusion to suit mounting requirements. For more information on mounting over or directly to other PAC products such as PAC Dual Trac or Uni-strut , contact a PAC technical sales representative.

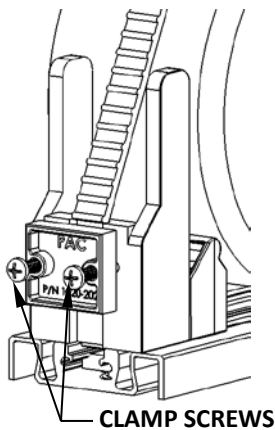
## STEP 2 – ADJUST BRACKET MODULES TO FIT EQUIPMENT

Adjust bracket modules by loosening the screws and sliding modules to provide a secure nest for equipment. Objects to be secured must be at least 5-3/8" tall to be properly secured. The wedge blocks or other spacing blocks may be used to achieve the necessary height.



## STEP 3 – SET STRAP LENGTH

Loosen the clamp screws and release the strap. With the equipment in place, position the strap pin into the lever catch. The lever must be in a position range as shown in FIG. 3C. Contour the strap over the equipment back to the clamp and re-attach clamp with screws.



CLAMP SCREWS

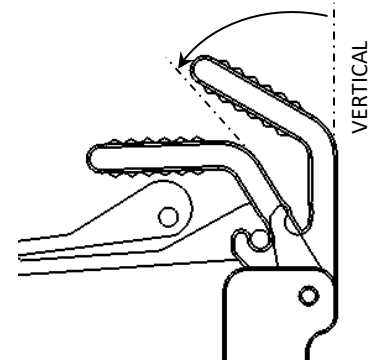
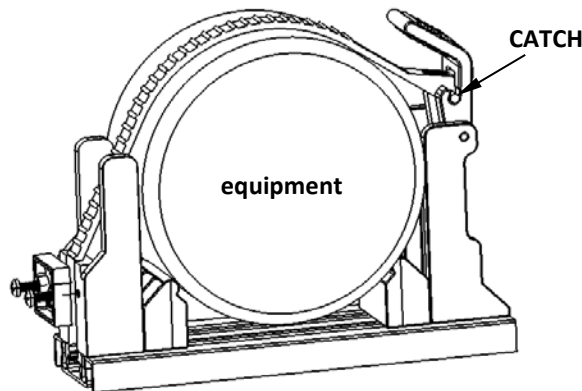
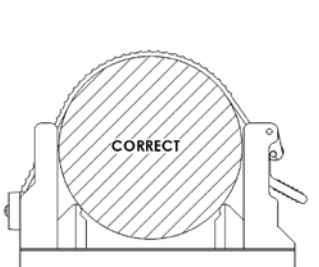


Fig. 3C

POSITION FOR SETUP

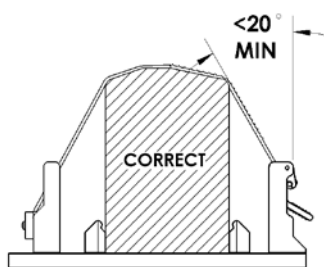
## STEP 4 – VERIFY PROPER SETUP

**!** It is extremely important the equipment secured is positioned properly. Verify that there is adequate stretch of the locking strap and that the angle of the strap after locking is greater than 20° from vertical position. See illustrations below.



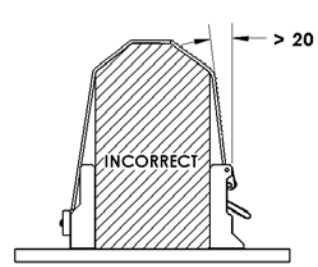
CYLINDRICAL PROPERLY SET UP

Cylinder is properly nested on wedge blocks and strapped down



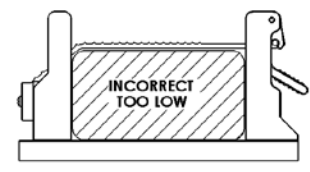
CORRECT STRAP ANGLE

Tall rectangular object is properly nested between wedge blocks. Modules are spaced to change strap angle.



INCORRECT STRAP ANGLE

Tall rectangular object results in incorrect strap angle. Spread modules apart to change angle.



INCORRECT EQUIPMENT HEIGHT

Small rectangular object is too low to provide adequate stretch of strap. Utilize a spacer if possible.