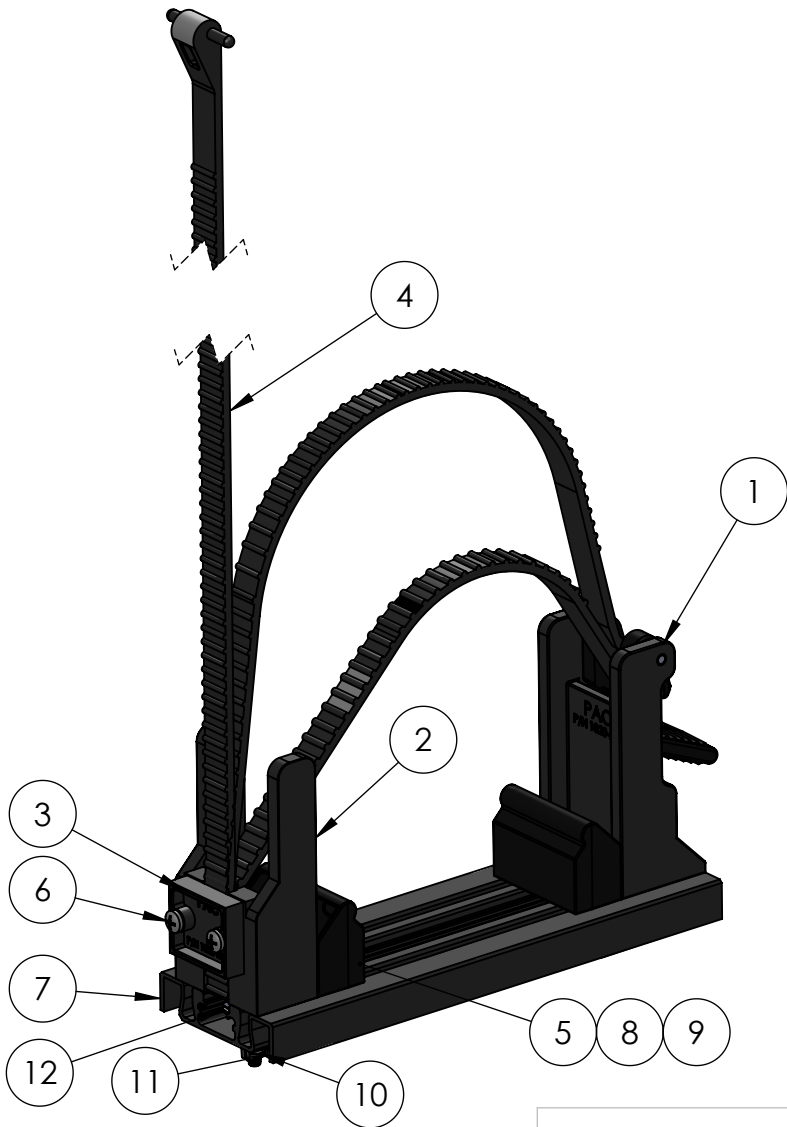
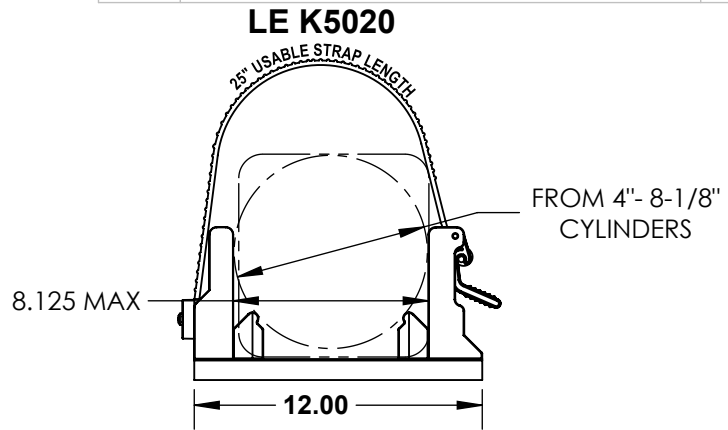


REV	DESCRIPTION	DATE	APPR



**NOTES:**



12	2104	PAC CHANNEL NUT	2	
11	7003	HARDWARE KIT	1	
10	2035	FASTENER PACK	1	
9	2046	#10 X 1" PAN HEAD SCREW	4	
8	7016	TRAC LOK INSERT	4	
7	7050B	BLACK MINI DUAL TRAC 12"	1	
6	3017	14-20 X 1 PHIL PANHEAD	4	
5	1020-206-B	WEDGE BLOCK - BLACK	2	
4	1020-205-1	EXTENDED FAST LOK STRAP	1	
3	1020-202	CLAMP BLOCK	1	
2	1020-201	CLAMP MODULE	1	
1	1020-901	LOCK END ASSEMBLY	1	A
ITEM NO.	PAC P/N	PART NAME	QTY	Rev

**P**ERFORMANCE  
**A**DVANTAGE  
**C**OMPANY



**TOLERANCES UNLESS OTHERWISE SPECIFIED**

.X= ± .03  
.XX= ± .010  
.XXX= ± .005  
.XXXX= ± 0.0005  
ANGLES ± 0.5 °  
FRACTIONAL ± 1/64

THIRD ANGLE PROJECTION



COLOR

NAME	DATE
DRAWN BY	
APPR. BY	
MFG BY	
MFG. P/N	
ENG APPR.	
MATERIAL	
ALT. MATERIAL	
FINISH	

THE INFORMATION CONTAINED IN THIS DRAWING IS THE SOLE PROPERTY OF PERFORMANCE ADVANTAGE CO. ANY REPRODUCTION IN PART OR AS A WHOLE WITHOUT THE WRITTEN PERMISSION OF PERFORMANCE ADVANTAGE CO. IS PROHIBITED.

**TITLE:**

**TACTICAL FAST LOK KIT**

**PART NUMBER**

**LE 5020**

REV

**SCALE: 1:4**

**SHEET 1 OF 1**