



TACTICAL VERSIONS – ALL BLACK

- ADJUSTAMOUNT KIT - STD P/N LE 5006
- ADJUSTAMOUNT KIT - SHORT P/N LE 5006S
- ADJUSTAMOUNT KIT - LONG P/N LE 5006L



INSTALLATION INSTRUCTIONS



For additional assistance call 888-514-0083 between 8AM-5PM EST or email: info@pactoolmounts.com

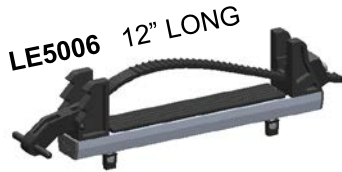
CAUTION

To avoid the risk of personal injury, property damage or product damage, please use the included fasteners for mounting.

- * The bracket must be securely mounted to a stable surface and material.
- * When mounting bracket to PAC TRAC aluminum products **P/N 7000, P/N 7020, P/N 7040, P/N 7050** with the included Trac Lok inserts **P/N 7016**, torque the screws to a maximum 15 in-lbs.
- * If using optional Channel Nuts **P/N 3023, P/N 3024** torque the screws to a maximum 25 in-lbs.
- * PAC recommends regular and frequent inspections to be certain of proper operation and installation.

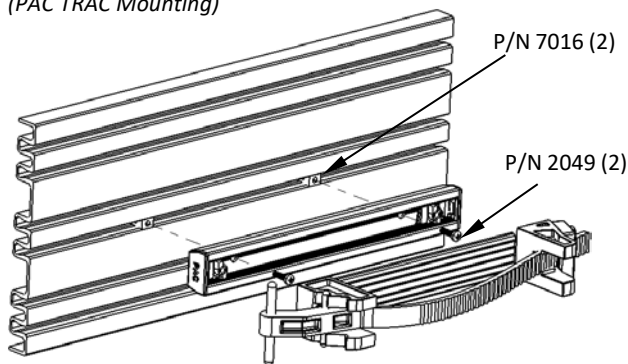
MTG. HARDWARE for PAC TRAC	QTY
 P/N 2049 #10-24 x 3/4 S.S. S.S. Pan Head Screw	2
 P/N 7016 Trac Lok Insert	2

STANDARD MTG. HARDWARE	QTY
 P/N 3017 1/4-20 x 1 S.S. S.S. Pan Head Screw	2
 P/N 2069LN 1/4-20 Nylon Locking Nut	2

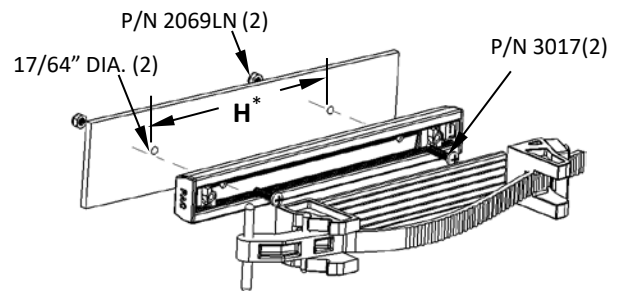


Bracket Mounting

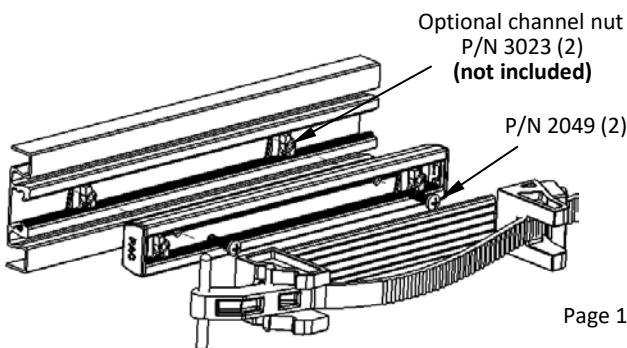
(PAC TRAC Mounting)



(Thru Mounting Method)



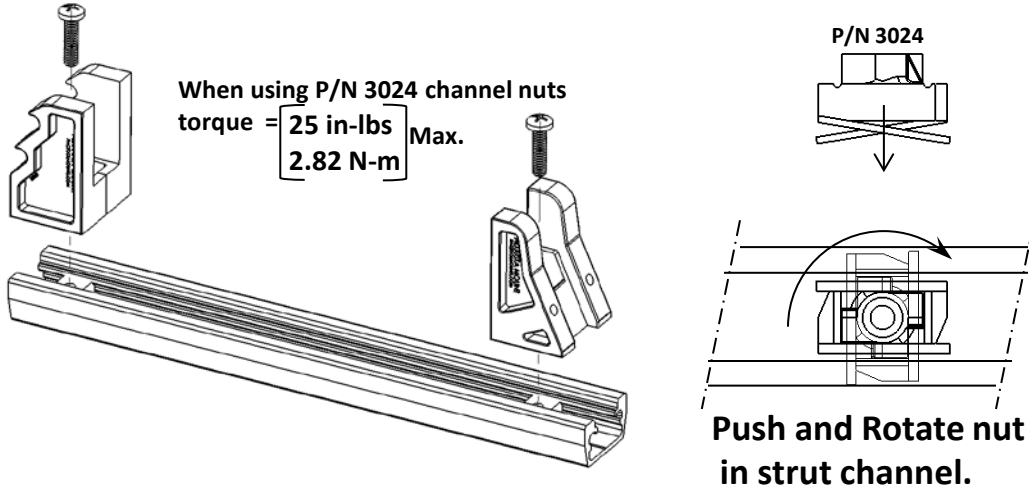
H = HOLE SPACING
P/N LE 5006S H=1.875"
P/N LE 5006 H=8"
P/N LE 5006L H=20"



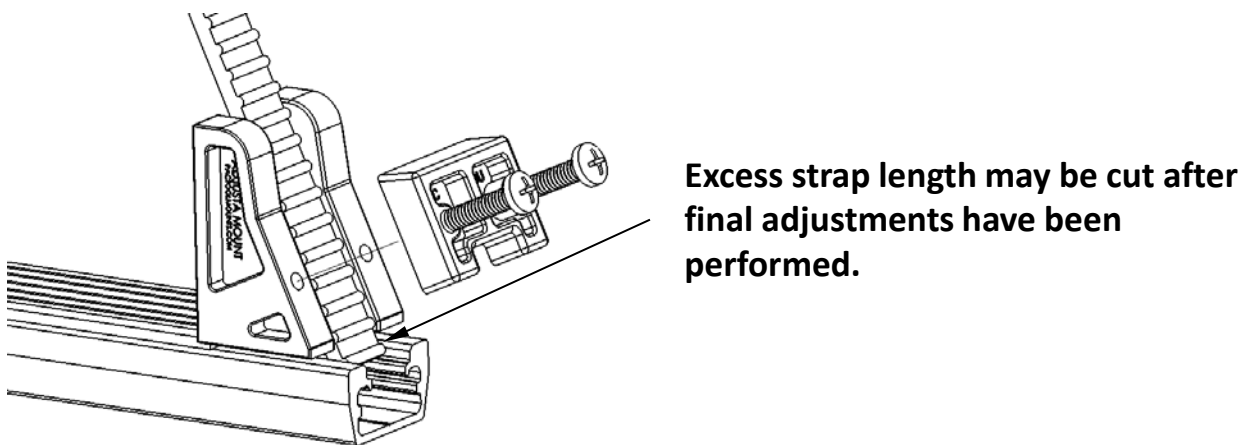
❖ Additional holes may be required to suit application and avoid interference with channel nuts.

Bracket Adjustment

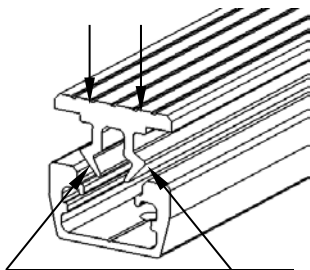
To adjust the module position, remove and reposition the channel nuts as shown.



To set strap length, loosen clamp screws and adjust to suit application.



To insert channel cushion, center over strut and press in. Lubricate with a soap & water solution underside of channel cushion to assist in assembly.



**APPLY SOAP AND WATER SOLUTION TO THESE AREAS TO
FACILITATE INSTALLATION!**