



RECTANGULAR BASE KIT P/N K5081-JL
JUMBO LOK

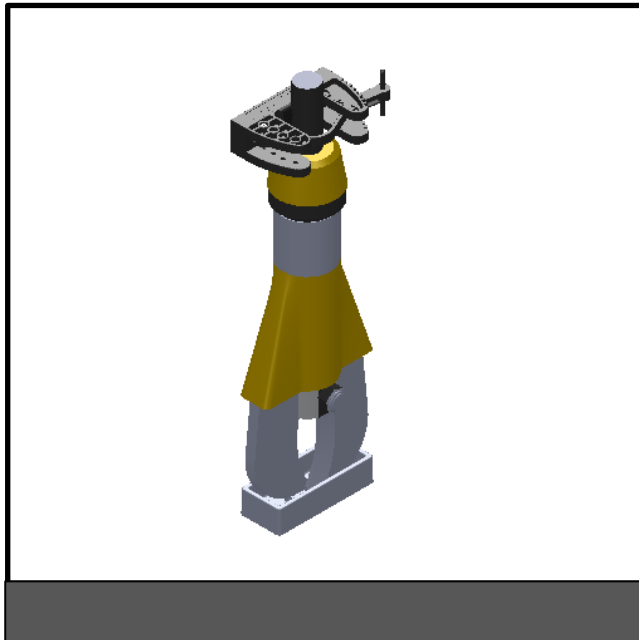
INSTALLATION INSTRUCTIONS



For additional assistance call 888-514-0083 between 8AM-4PM EST or email: info@pactoolmounts.com



CAUTION

To avoid the risk of personal injury, property damage or product damage, please use the included fasteners for mounting.

- * The bracket must be securely mounted to a stable surface and material.
- * When mounting bracket to PAC TRAC aluminum products **P/N 7000**, **P/N 7020**, **P/N 7040**, **P/N 7050** with the included Trac Lok inserts **P/N 7016**, torque the screws to a maximum 15 in-lbs.
- * PAC recommends regular and frequent inspections to be certain of proper operation and installation.



STANDARD MTG. HARDWARE		QTY
JUMBO LOK		
	P/N 2092 ¼-20 x 1-3/4 S.S. Flat Head Screw	2
	P/N 2069LN ¼-20 Nylon Locking Nut	2

STANDARD MTG. HARDWARE		QTY
POCKET		
	P/N 3017 ¼-20 x 1 SS Pan Head Screw	2
	P/N 2069LN ¼-20 Nylon Locking Nut	2

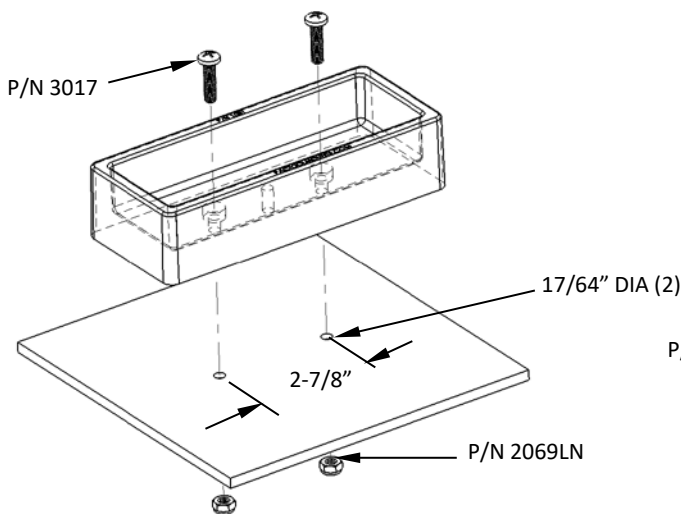


FIGURE 1
(Thru Mounting Method)

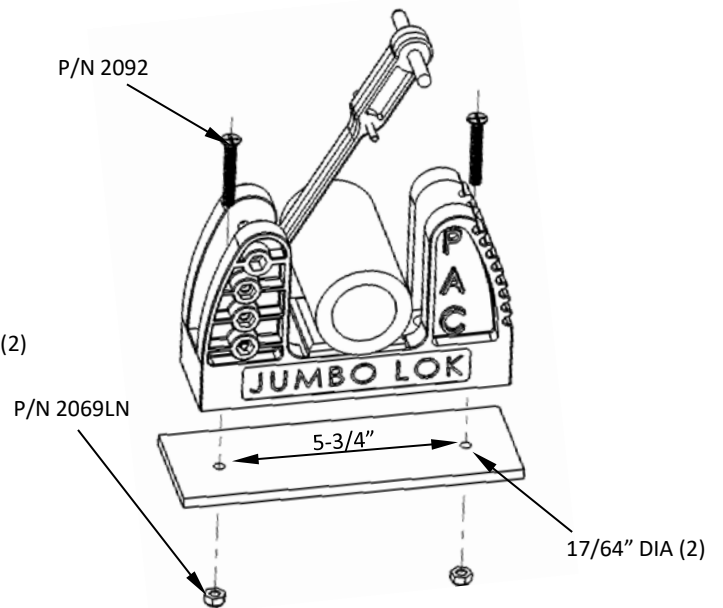


FIGURE 2
(PAC TRAC Mounting)



RECTANGULAR BASE KIT P/N K5081-JL
JUMBO LOK

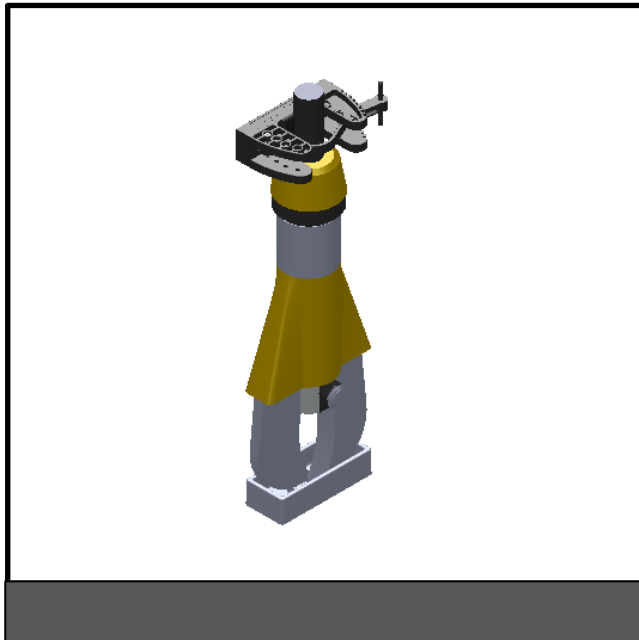
INSTALLATION INSTRUCTIONS



For additional assistance call 888-514-0083 between 8AM-4PM EST or email: info@pactoolmounts.com




CAUTION

To avoid the risk of personal injury, property damage or product damage, please use the included fasteners for mounting.

- * The bracket must be securely mounted to a stable surface and material.
- * When mounting bracket to PAC TRAC aluminum products **P/N 7000, P/N 7020, P/N 7040, P/N 7050** with the included Trac Lok inserts **P/N 7016**, torque the screws to a maximum 15 in-lbs.
- * PAC recommends regular and frequent inspections to be certain of proper operation and installation.



PAC TRAC MTG. HARDWARE JUMBO LOK			QTY
	P/N 2100	#10-24 x 1-3/4 S.S. Pan Head Screw	2
	P/N 7016	Trac Lok Insert	2

PAC TRAC MTG. HARDWARE POCKET			QTY
	P/N 2046	#10-24 x 1 SS Pan Head Screw	2
	P/N 7016	Trac Lok Insert	2
	P/N 2054	#10 Flat Washer	2

