



RECTANGULAR BASE KIT P/N K5081-SA
SAM – SUPER ADJUSTA MOUNT





INSTALLATION INSTRUCTIONS

For additional assistance call 888-514-0083 between 8AM-5PM EST or email: info@pactoolmounts.com

CAUTION

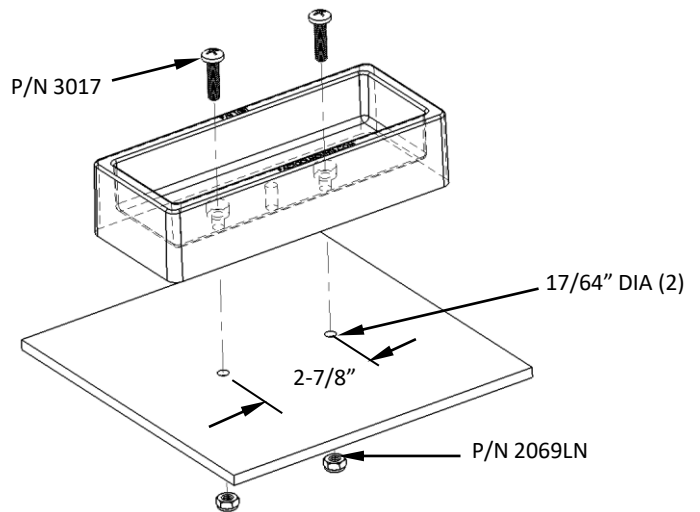
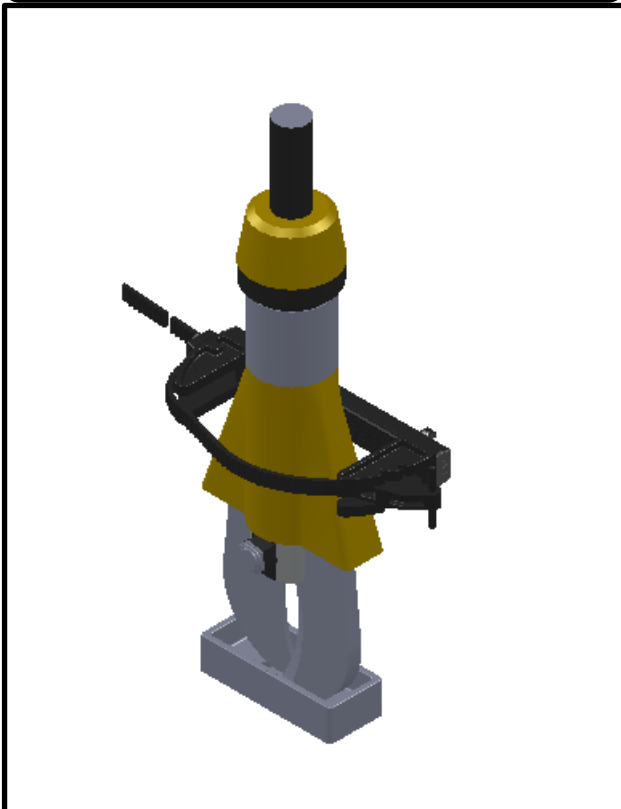
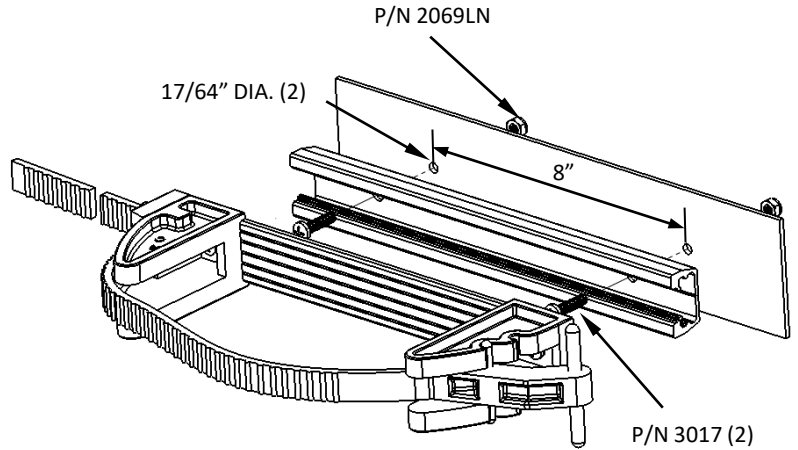
To avoid the risk of personal injury, property damage or product damage, please use the included fasteners for mounting.

- * The bracket must be securely mounted to a stable surface and material.
- * When mounting bracket to PAC TRAC aluminum products **P/N 7000**, **P/N 7020**, **P/N 7040**, **P/N 7050** with the included Trac Lok inserts **P/N 7016**, torque the screws to a maximum 15 in-lbs.
- * PAC recommends regular and frequent inspections to be certain of proper operation and installation.

STANDARD MTG. HARDWARE	QTY
 P/N 3017 ¼-20 x 1-3/4 S.S. Pan Head Screw	2
 P/N 2069LN ¼-20 Nylon Locking Nut	2
STANDARD MTG. HARDWARE	QTY
 P/N 3017 ¼-20 x 1-3/4 S.S. Pan Head Screw	2
 P/N 2069LN ¼-20 Nylon Locking Nut	2

SAM

BASE



(Thru Mounting Method)



RAM/STRUT MTG. KIT P/N K1022SA
SAM – SUPER ADJUSTA MOUNT



P.T. INSTALLATION INSTRUCTIONS

For additional assistance call 888-514-0083 between 8AM-5PM EST or email: info@pactoolmounts.com




CAUTION

To avoid the risk of personal injury, property damage or product damage, please use the included fasteners for mounting.

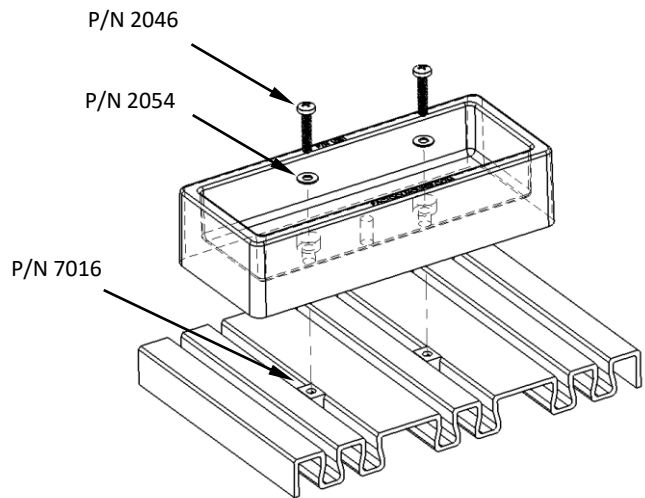
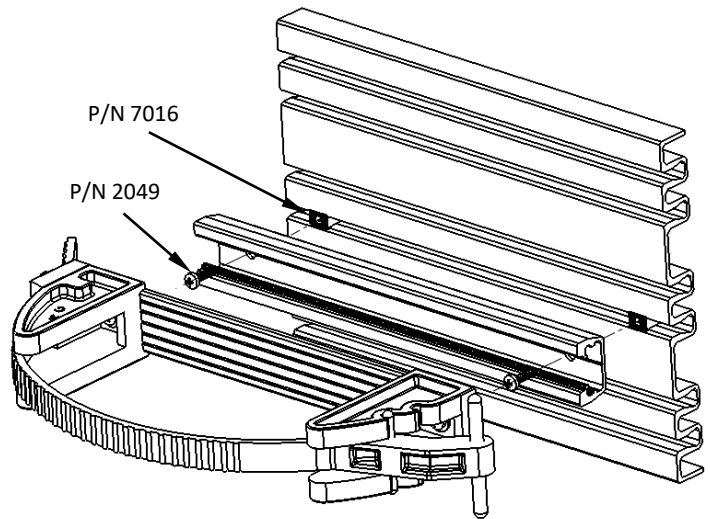
- * The bracket must be securely mounted to a stable surface and material.
- * When mounting bracket to PAC TRAC aluminum products **P/N 7000, P/N 7020, P/N 7040, P/N 7050** with the included Trac Lok inserts **P/N 7016**, torque the screws to a maximum 15 in-lbs.
- * PAC recommends regular and frequent inspections to be certain of proper operation and installation.

MTG. HARDWARE for PAC TRAC			QTY
	P/N 2049	#10-24 x 3/4 S.S. Pan Head Screw	2
	P/N 7016	Trac Lok Insert	2

SAM

MTG. HARDWARE for PAC TRAC			QTY
	P/N 2046	#10-24 x 1 S.S. Pan Head Screw	2
	P/N 7016	Trac Lok Insert	2
	P/N 2054	#10 Flat Washer	2

BASE



(PAC TRAC Mounting)

