



RECTANGULAR BASE KIT P/N K5081-FL

INSTALLATION INSTRUCTIONS

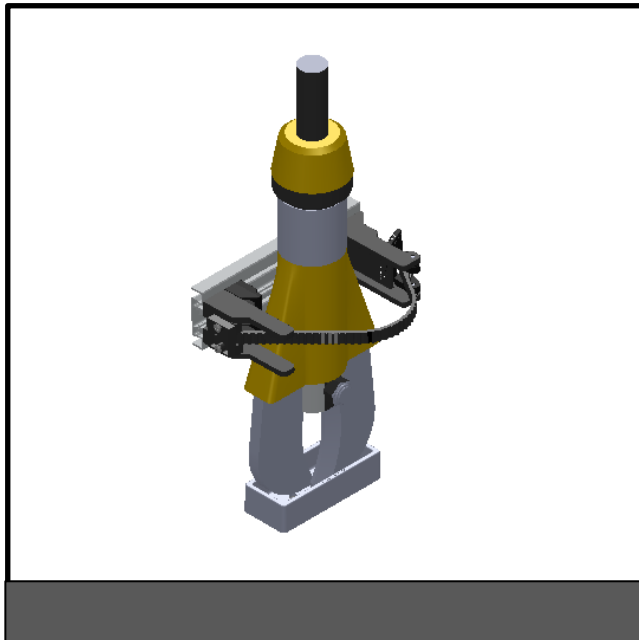
FAST LOK



For additional assistance call 888-514-0083 between 8AM-5PM EST or email: info@pactoolmounts.com



CAUTION

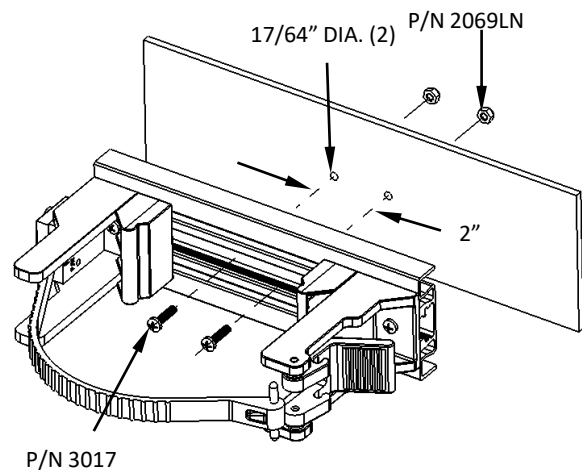
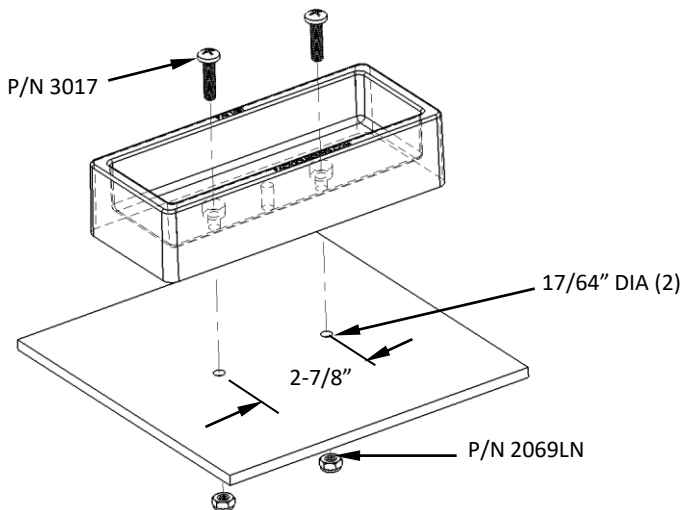
To avoid the risk of personal injury, property damage or product damage, please use the included fasteners for mounting.

- * The bracket must be securely mounted to a stable surface and material.
- * When mounting bracket to PAC TRAC aluminum products **P/N 7000, P/N 7020, P/N 7040, P/N 7050** with the included Trac Lok inserts **P/N 7016**, torque the screws to a maximum 15 in-lbs.
- * PAC recommends regular and frequent inspections to be certain of proper operation and installation.



STANDARD MTG. HARDWARE		QTY
FAST LOK		
	P/N 3017 1/4-20 x 1 S.S. S.S. Pan Head Screw	2
	P/N 2069LN 1/4-20 Nylon Locking Nut	2

STANDARD MTG. HARDWARE		QTY
RECTANGULAR POCKET		
	P/N 3017 1/4-20 x 1 S.S. S.S. Pan Head Screw	2
	P/N 2069LN 1/4-20 Nylon Locking Nut	2





RECTANGULAR BASE KIT P/N K5081-FL

INSTALLATION INSTRUCTIONS

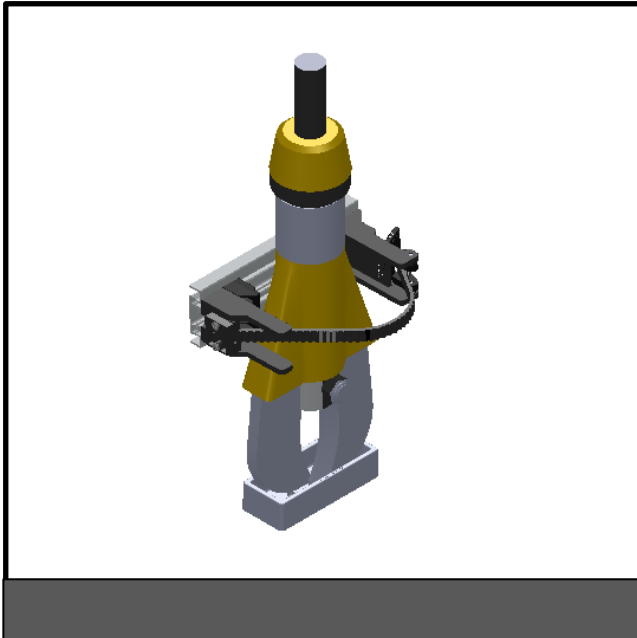
FAST LOK



For additional assistance call 888-514-0083 between 8AM-5PM EST or email: info@pactoolmounts.com




CAUTION

To avoid the risk of personal injury, property damage or product damage, please use the included fasteners for mounting.

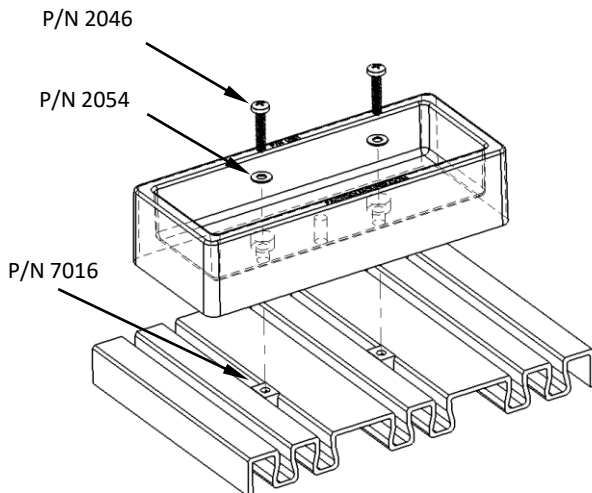
- * The bracket must be securely mounted to a stable surface and material.
- * When mounting bracket to PAC TRAC aluminum products **P/N 7000, P/N 7020, P/N 7040, P/N 7050** with the included Trac Lok inserts **P/N 7016**, torque the screws to a maximum 15 in-lbs.
- * PAC recommends regular and frequent inspections to be certain of proper operation and installation.



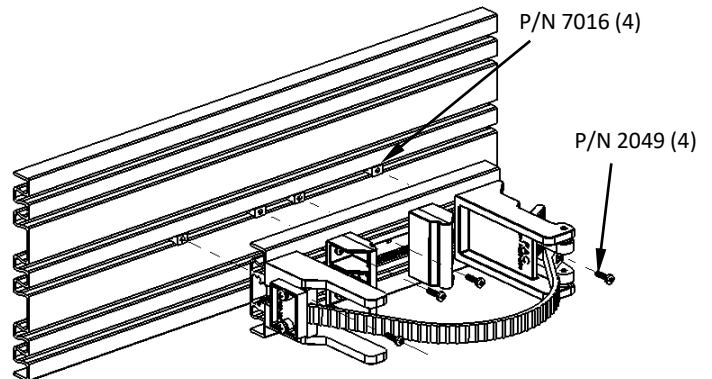
MTG. HARDWARE for PAC TRAC FAST LOK			QTY
	P/N 2049	#10-24 X 3/4 S.S. Pan Head Screw	4
	P/N 7016	TRAC LOK INSERT	4

PAC TRAC MTG. HARDWARE POCKET			QTY
	P/N 2046	#10-24 x 1 SS Pan Head Screw	2
	P/N 7016	Trac Lok Insert	2
	P/N 2054	#10 Flat Washer	2

The **Fast Lok** bracket is a multi use product which is provided pre-assembled and requires adjustment to accommodate the various types of equipment to be secured. Care should be taken to ensure the strap and components are adjusted properly. **See INS-1020 instructions for additional information.**



BASE ATTACHMENT



FAST LOK ATTACHMENT