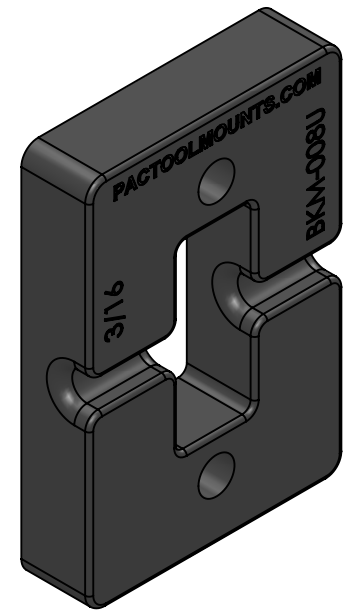
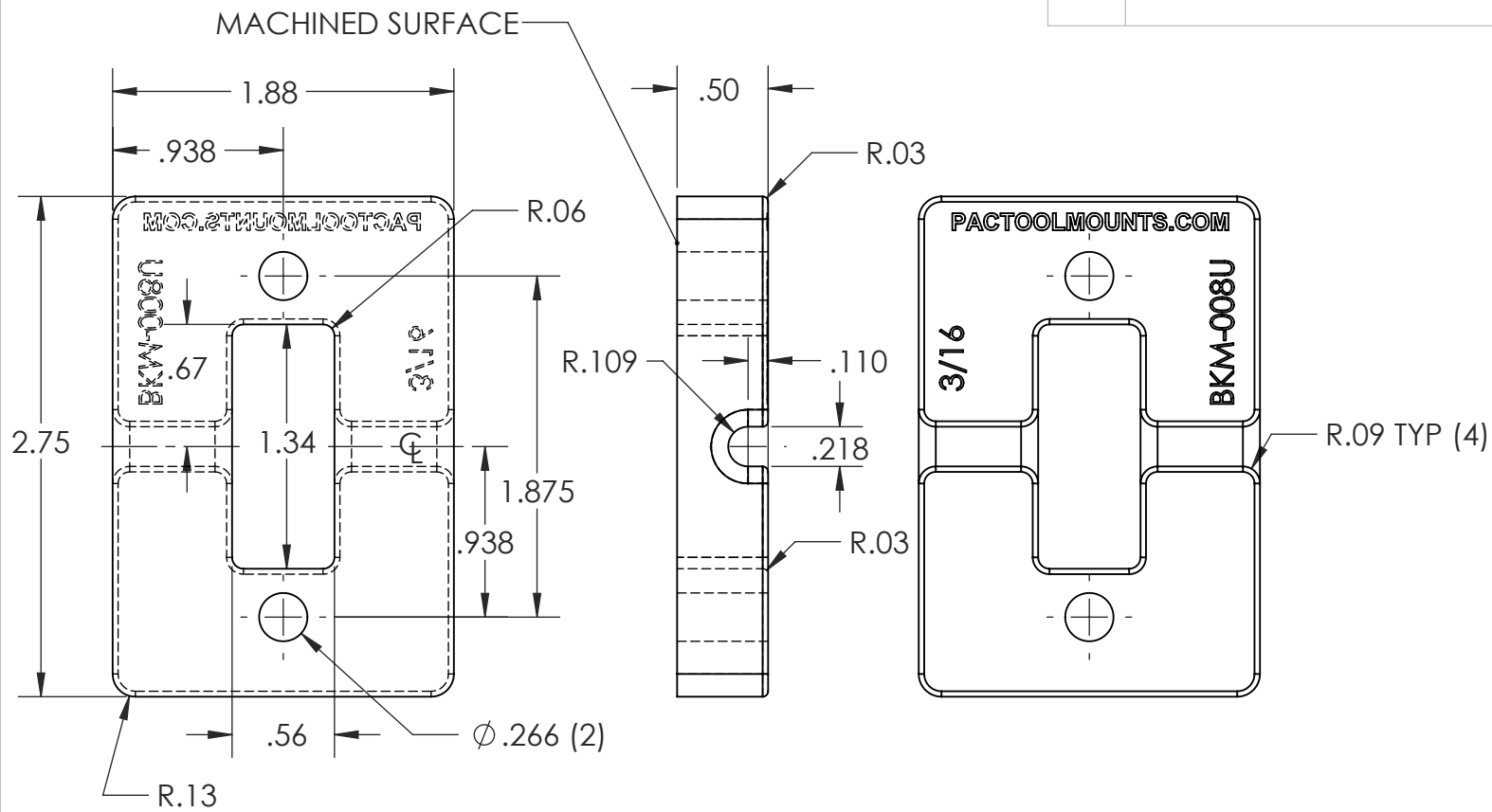
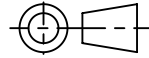


| REV | DESCRIPTION | DATE | APPR |
|-----|---------------------|--------|------|
| A | ADDED P/N & ID INFO | 4/5/22 | |
| | | | |



NOTES:



| | | |
|---|-----------|------------------|
| TOLERANCES UNLESS OTHERWISE SPECIFIED .X = ±.03 .XX = ±.010 .XXX = ±.005 .XXXX = ±0.0005 ANGLES ±0.5° FRACTIONAL ±1/64 THIRD ANGLE PROJECTION  | NAME | DATE |
| | DRAWN BY | JPG |
| | APPR. BY | PAC |
| | MFG BY | |
| | MFG. P/N | |
| | ENG APPR. | |
| | MATERIAL | URETHANE 55D DUR |
| ALT. MATERIAL | | |
| FINISH | | |
| COLOR | BLACK | |

| | |
|---|--------------|
| THE INFORMATION CONTAINED IN THIS DRAWING IS THE SOLE PROPERTY OF PERFORMANCE ADVANTAGE CO. ANY REPRODUCTION IN PART OR AS A WHOLE WITHOUT THE WRITTEN PERMISSION OF PERFORMANCE ADVANTAGE CO. IS PROHIBITED. | |
| TITLE: WIRE RING HOLDER | |
| PART NUMBER BKM-008U | REV A |
| SCALE: 1:1 | SHEET 1 OF 1 |