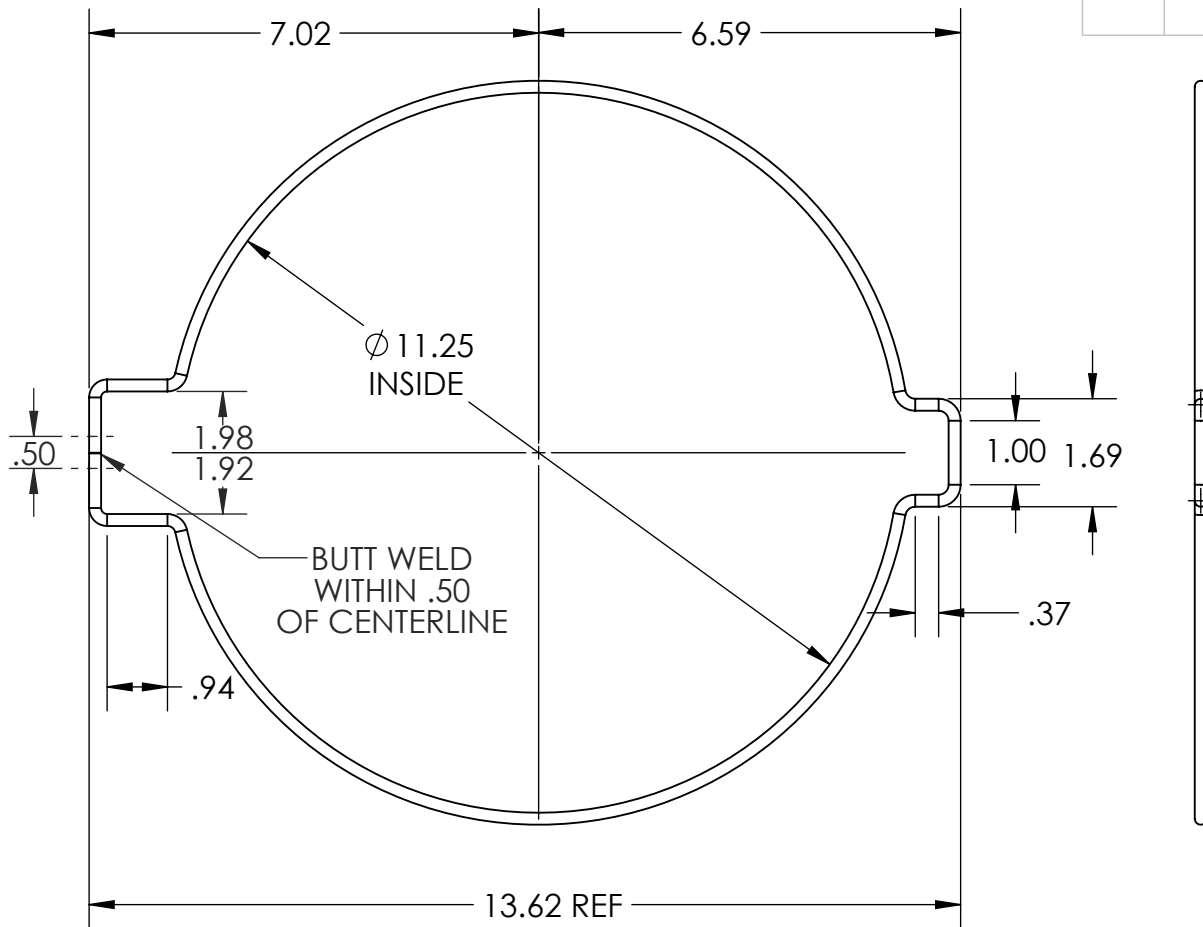


REV	DESCRIPTION	DATE	APPR
A	REDESIGNED END FOR BUTT WELD	3/31/22	



NOTES:

FINISHED LOOP MUST FIT INSPECTION GAGE

**PERFORMANCE
ADVANTAGE
COMPANY**



TOLERANCES UNLESS OTHERWISE SPECIFIED

.X = ± .03
.XX = ± .010
.XXX = ± .005
.XXXX = ± 0.0005
ANGLES ± 0.5 °
FRACTIONAL ± 1/64

THIRD ANGLE PROJECTION



COLOR

	NAME	DATE
DRAWN BY	JPG	
APPR. BY	PAC	
MFG BY		
MFG. P/N		
ENG APPR.		
MATERIAL		
ALT. MATERIAL		
FINISH		

THE INFORMATION CONTAINED IN THIS DRAWING IS THE SOLE PROPERTY OF PERFORMANCE ADVANTAGE CO. ANY REPRODUCTION IN PART OR AS A WHOLE WITHOUT THE WRITTEN PERMISSION OF PERFORMANCE ADVANTAGE CO. IS PROHIBITED.

TITLE:

RING

PART NUMBER

BKM-003 (3/16" wire)

REV

A

SCALE: 1:3

SHEET 1 OF 1