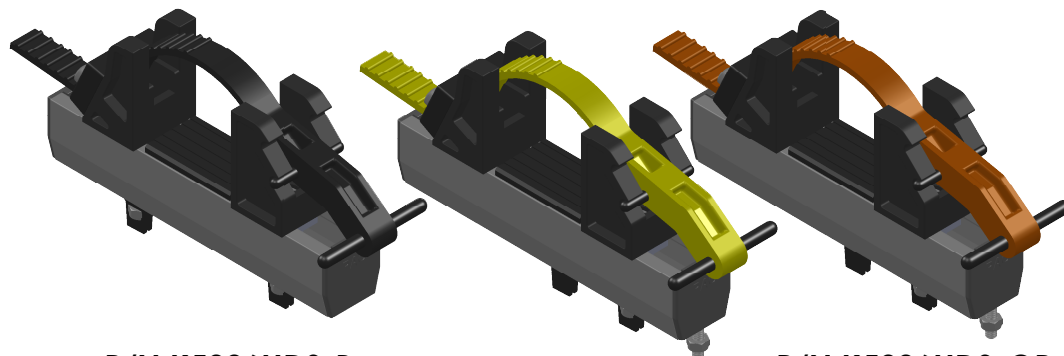
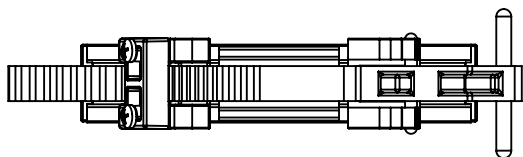


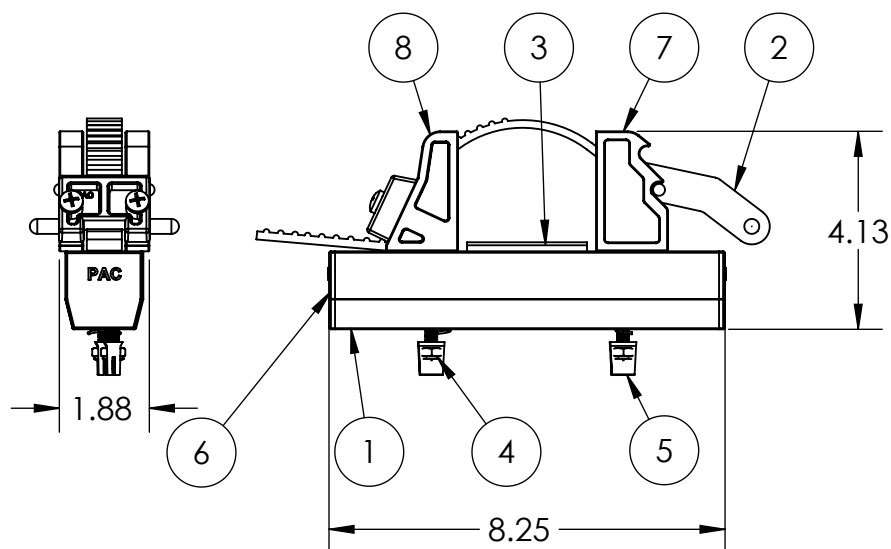
REV	DESCRIPTION	DATE	APPR
A	2020 STRUT WAS 6"	9/17/21	



P/N K5006HDS-B

P/N K5006HDS-Y

P/N K5006HDS-OR



8	1006-903	ADJUSTAMOUNT KIT	1	A
7	1006-904	ADJ. LOCK END ASSEMBLY	1	A
6	2020EC	END CAP PAC STRUT HD	2	
5	7029	FASTENER KIT-ADJUSTAMOUNT PT	1	
4	2035	FASTENER PACK	1	
3	8006-2	CHANNEL CUSHION 2-1/2" LG	1	
2	2008	LOCK STRAP	1	
1	2020 (8")	8" LG PAC STRUT HD	1	
ITEM NO.	PAC P/N	PART NAME	QTY.	REV

NOTES:

**PERFORMANCE
ADVANTAGE
COMPANY**



TOLERANCES UNLESS OTHERWISE SPECIFIED

.X= ±.03
.XX= ±.010
.XXX= ±.005
.XXXX= ±0.0005
ANGLES ±0.5 °
FRACTIONAL ±1/64

THIRD ANGLE PROJECTION



COLOR

	NAME	DATE
DRAWN BY	JPG	12-20-19
APPR. BY		
MFG BY		
MFG. P/N		
ENG APPR.		
MATERIAL		
ALT. MATERIAL		
FINISH		

THE INFORMATION CONTAINED IN THIS DRAWING IS THE SOLE PROPERTY OF PERFORMANCE ADVANTAGE CO. ANY REPRODUCTION IN PART OR AS A WHOLE WITHOUT THE WRITTEN PERMISSION OF PERFORMANCE ADVANTAGE CO. IS PROHIBITED.

TITLE:

**ADJUSTAMOUNT KIT
HD SHORT**

PART NUMBER

K5006HDS

REV

A

SCALE: 1:4