



PRODUCT DATA SHEET

P/N: **2019EC**

**PAC STRUT END CAPS**



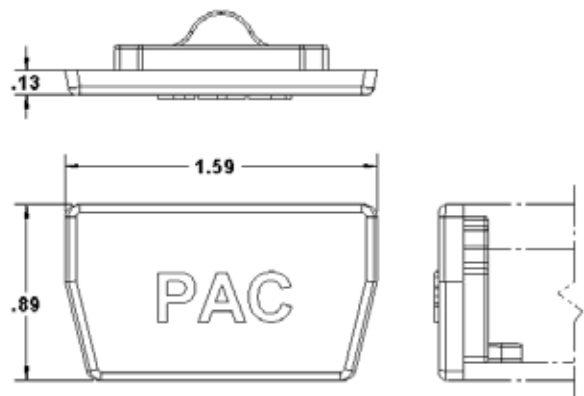
The PAC End Caps provide a finished end to PAC Strut extrusion.

**TYPICAL SPECIFICATION**

End Caps to be compatible to PAC Strut extrusion and match the fit and finish of the aluminum strut profile

**FEATURES**

- Simple installation
- Weather, UV resistant
- Non-conductive
- Covers sharp edges
- No fasteners needed
- Typically sold in pairs



**SPECIFICATIONS**

P/N	WT.	MAX LOAD	GRIP RANGE	HANGER RANGE	FLAME TOXICITY CHEMICAL
2019EC	.1 oz	N/A	N/A	N/A	N/A

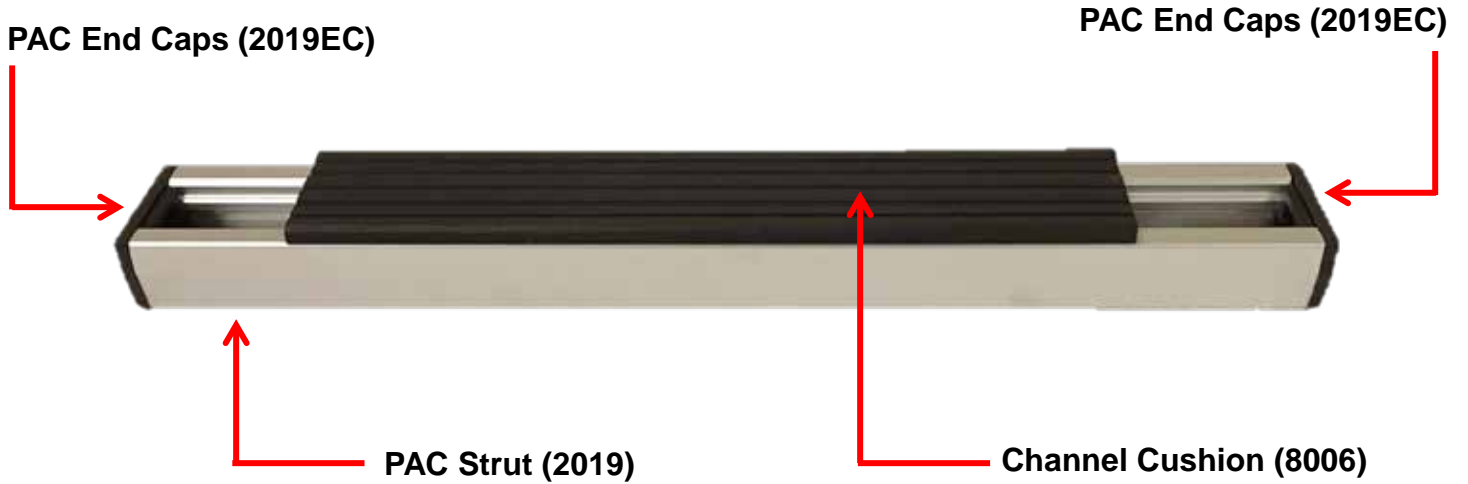
Performance Advantage Company

Lancaster, New York

[www.pactoolmounts.com](http://www.pactoolmounts.com)

888-514-0083

REFERENCE	QTY	REMARKS	PROJECT
			LOCATION
			BUYER
			DEALER
			BUILDER
			SUBMITTED BY: _____ DATE: _____



Commonly used to mount various tools and other systems, PAC STRUT is a support system which can be supplied in various lengths. PAC supplies this product in Aluminum for easy installation and corrosion resistance.