



SPREADER BASE KIT P/N K5026-JL



INSTALLATION INSTRUCTIONS



For additional assistance call 888-514-0083 between 8AM-5PM EST or email: info@pactoolmounts.com

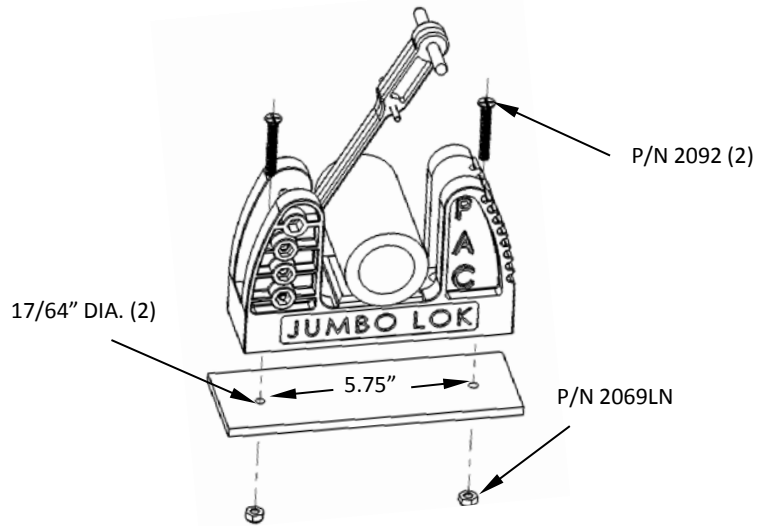
CAUTION

To avoid the risk of personal injury, property damage or product damage, please use the included fasteners for mounting.

- * The bracket must be securely mounted to a stable surface and material.
- * When mounting bracket to PAC TRAC aluminum products **P/N 7000**, **P/N 7020**, **P/N 7040**, **P/N 7050** with the included Trac Lok inserts **P/N 7016**, torque the screws to a maximum 15 in-lbs.
- * PAC recommends regular and frequent inspections to be certain of proper operation and installation.

STANDARD MTG. HARDWARE		QTY
JUMBO LOK PAC Fastener Packet P/N 7042 (PARTIAL)		
 P/N 2092	1/4-20 x 1-3/4 S.S. Flat Head Screw	2
 P/N 2069LN	1/4-20 Nylon Locking Nut	2

STANDARD MTG. HARDWARE		QTY
POCKET PAC Fastener Packet P/N 7048		
 P/N 3017	1/4-20 x 1 S.S. S.S. Pan Head Screw	2
 P/N 2069LN	1/4-20 Nylon Locking Nut	2



JUMBO LOK ATTACHMENT

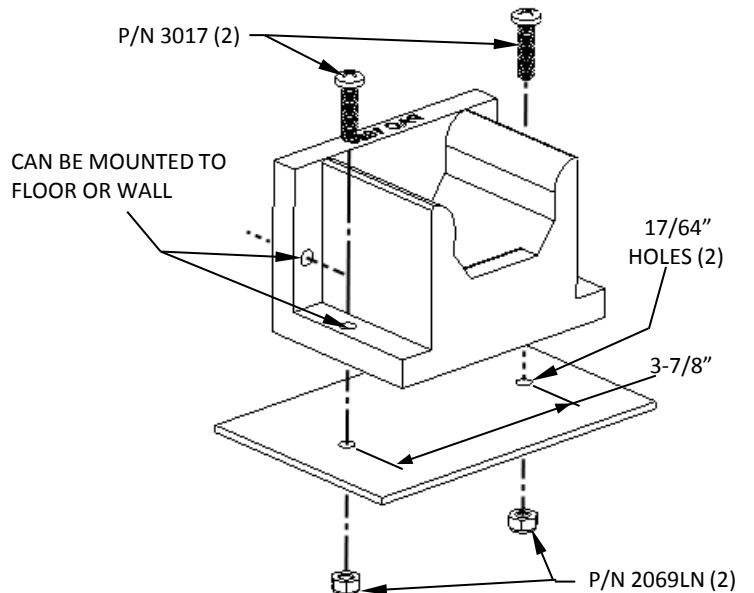
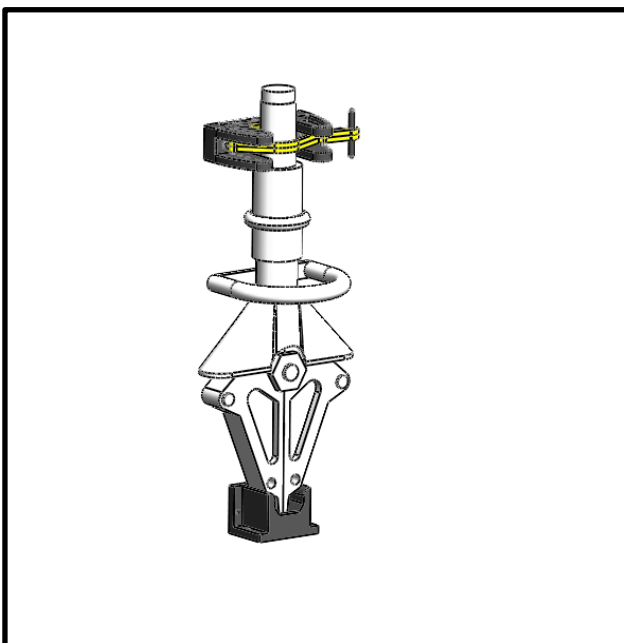


FIGURE 1
(Thru Mounting Method)



SPREADER BASE KIT P/N K5026-JL




INSTALLATION INSTRUCTIONS



For additional assistance call 888-514-0083 between 8AM-5PM EST or email: info@pactoolmounts.com

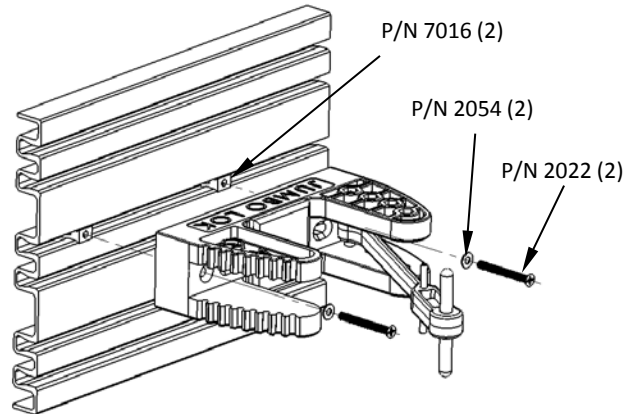
CAUTION

To avoid the risk of personal injury, property damage or product damage, please use the included fasteners for mounting.

- * The bracket must be securely mounted to a stable surface and material.
- * When mounting bracket to PAC TRAC aluminum products **P/N 7000**, **P/N 7020**, **P/N 7040**, **P/N 7050** with the included Trac Lok inserts **P/N 7016**, torque the screws to a maximum 15 in-lbs.
- * PAC recommends regular and frequent inspections to be certain of proper operation and installation.

MTG. HARDWARE for PAC TRAC JUMBO LOK PAC Fastener Packet P/N 7042 (PARTIAL)			QTY
	P/N 2022	#10-24 x 1-7/8 S.S. Flat Head Screw	2
	P/N 2054	#10 S.S. Flat Washer	2
	P/N 7016	Trac Lok Insert	2

MTG. HARDWARE for PAC TRAC POCKET PAC Fastener Packet P/N 7034			QTY
	P/N 2047	#10-24 x 1-1/4 S.S. S.S. Pan Head Screw	2
	P/N 7016	Trac Lok Insert	2



JUMBO LOK ATTACHMENT

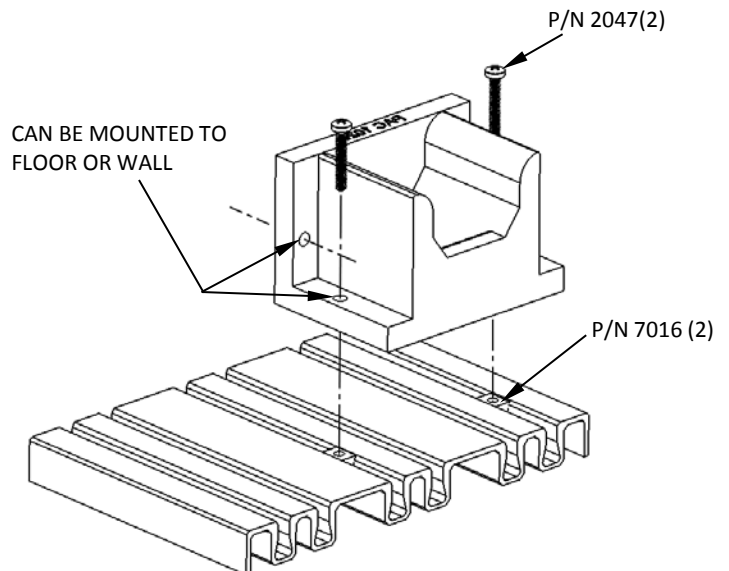
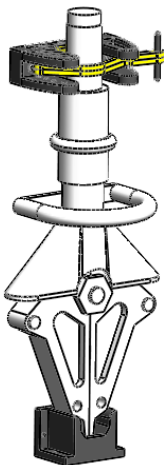


FIGURE 2
(PAC TRAC Mounting)