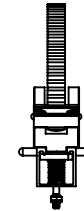
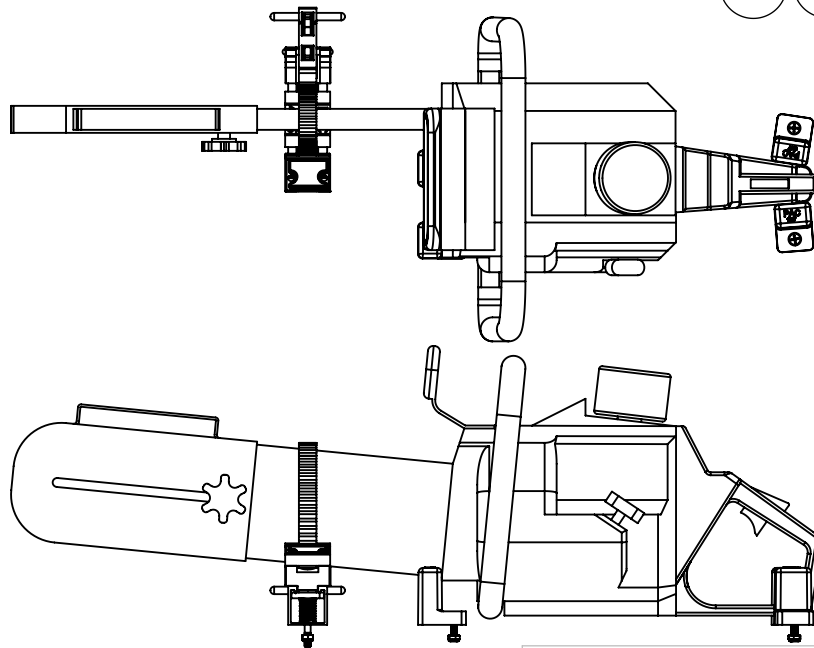
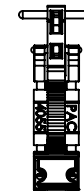
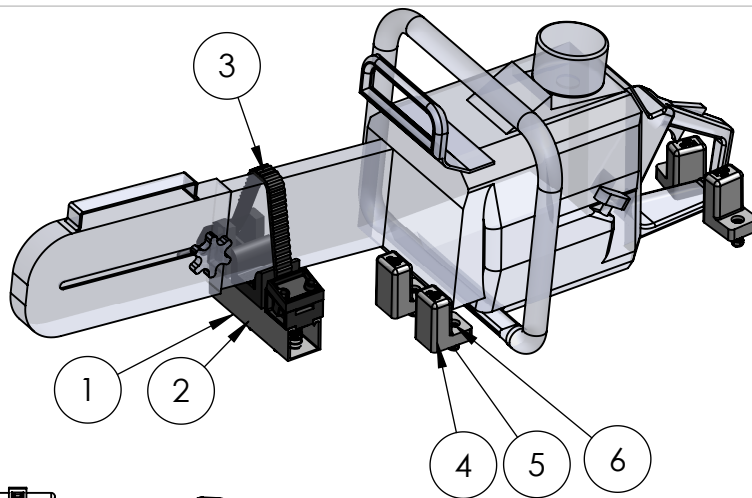


REV	DESCRIPTION	DATE	APPR
-----	-------------	------	------



6	3017	14-20 X 1 PHIL PANHEAD	4
5	2069LN	1/4-20 NYLON LOCK NUT	4
4	1007P	UNIVERSAL MOUNT PART	4
3	2008-1	EXTENDED LOCK STRAP BLACK	1
2	2035	FASTENER PACK	1
1	K5025-9201	6" LG CUTTERS EDGE ADJUSTAMOUNT S/ASSY	1
ITEM NO.	PAC P/N	PART NAME	QTY

TOLERANCES UNLESS OTHERWISE SPECIFIED		NAME	DATE	THE INFORMATION CONTAINED IN THIS DRAWING IS THE SOLE PROPERTY OF PERFORMANCE ADVANTAGE CO. ANY REPRODUCTION IN PART OR AS A WHOLE WITHOUT THE WRITTEN PERMISSION OF PERFORMANCE ADVANTAGE CO. IS PROHIBITED.
.X = ± .03 .XX = ± .010 .XXX = ± .005 .XXXX = ± 0.0005 ANGLES ± 0.5 ° FRACTIONAL ± 1/64		DRAWN BY		
THIRD ANGLE PROJECTION		APPR. BY		
		MFG BY		PART NUMBER K5025
		MFG. P/N		
		ENG APPR.		REV
		MATERIAL		
COLOR		ALT. MATERIAL		SCALE: 1:8
		FINISH		

NOTES:

ALSO AVAIL:

YELLOW STRAP P/N K5025-Y
ORANGE STRAP P/N K5025-OR

PERFORMANCE
ADVANTAGE
COMPANY

