



# PT CONNECTOR P/N 3018

# INSTALLATION INSTRUCTIONS


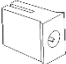



For additional assistance call (888)-514-0083 between 8AM-5PM EST or email: info@pactoolmounts.com

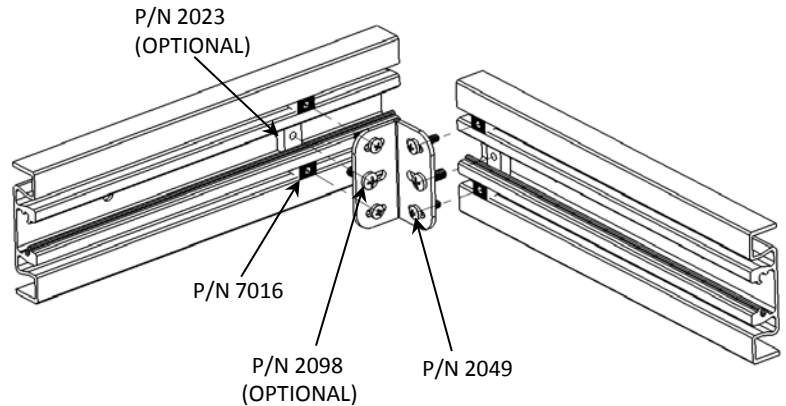
## CAUTION

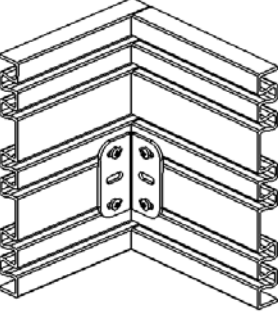
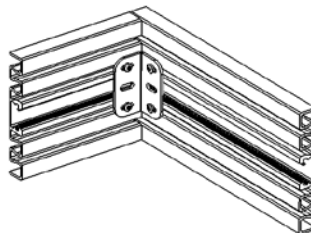
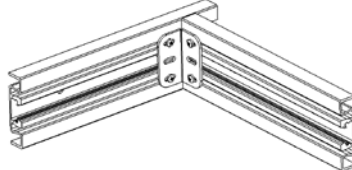
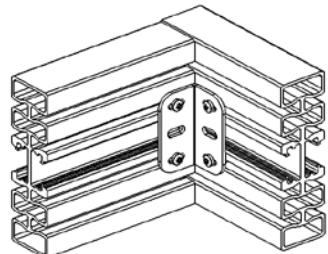
To avoid the risk of personal injury, property damage or product damage, please use the included fasteners for mounting.

- \* This product must be securely mounted to a stable surface and material.
- \* This product contains the mounting hardware to assemble a frame assembly for use with PAC Vertical and Swing Out tool boards.
- \* Misuse of this product may result damage or injury and void warranty.
- \* Verify that all fasteners have been tightened securely before putting into service.
- \* Tighten screws into Trac Lok inserts **P/N 7016** to a maximum 15 in-lbs torque .

PT Corner Connector **P/N 3018** provides a method to connect (90°) between PAC aluminum products **PAC Trac, P/N 7000, Dual Trac P/N 7020, Double Face Dual Trac P/N 7040, Mini Dual Trac, and PMF KIT.**

MTG. HARDWARE		QTY
	P/N 3018P PT Connector Angle	1
	P/N 7016 Trac Lok Insert	4
	P/N 2049 #10-24 Pan Head	4
 OPTIONAL	P/N 2023 ¼-20 Channel Nut	2
 OPTIONAL	P/N 2098 ¼-20 x 1 Pan Head	2



 <p><b>P/N 7000 TO P/N 7000</b> PAC TRAC/PAC TRAC</p>	 <p><b>P/N 7020 TO P/N 7020</b> DUAL TRAC/DUAL TRAC</p>	 <p><b>P/N 7050 TO P/N 7050</b> MINI DUAL TRAC/MINI DUAL TRAC</p>	 <p><b>P/N 7040 TO P/N 7040</b> DOUBLE FACE TRAC/DOUBLE FACE TRAC</p>
---	--	---	--