



PAC STRUT

P/N 2019

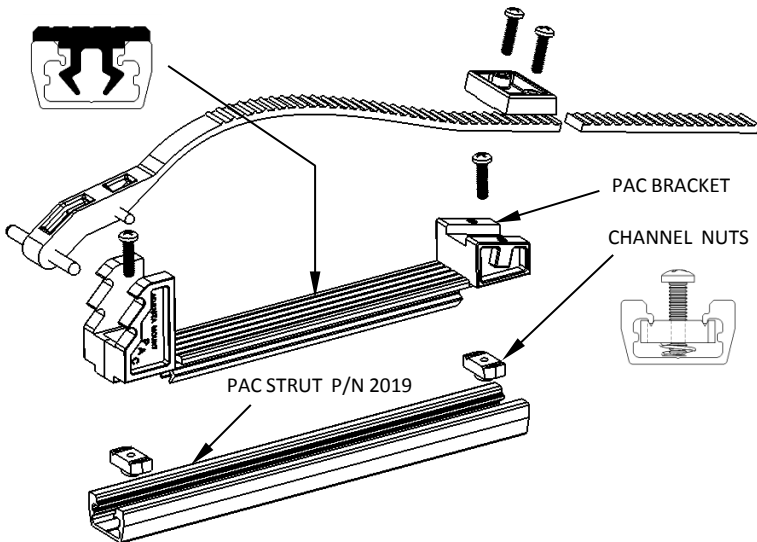
INSTALLATION INSTRUCTIONS

For additional assistance call 888-514-0083 between 8AM-5PM EST or email: info@pactoolmounts.com

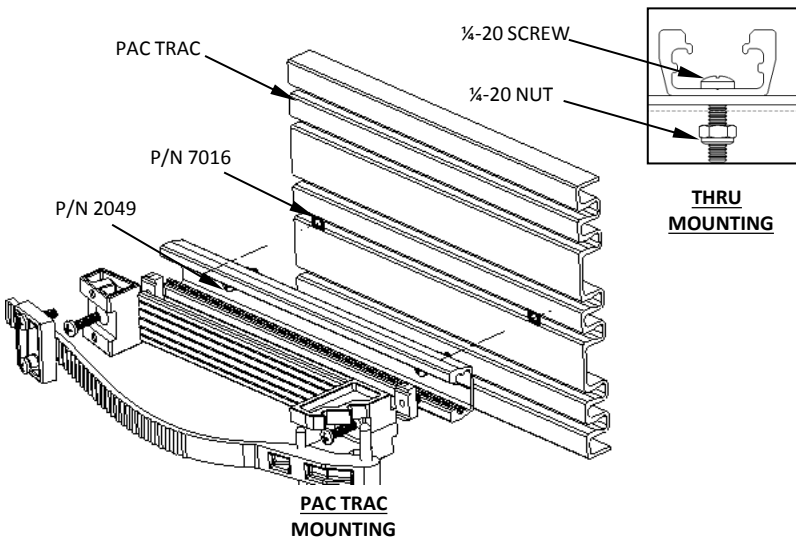
CAUTION

To avoid the risk of personal injury, property damage or product damage, please follow the instructions for attachment. Usage of PAC TRAC or PAC brackets which do not conform to our mounting instructions and recommended usage will *void* any and all *warranties*.

- * Pac Strut aluminum extrusion is a base for many PAC brackets.
- * Pac Strut is intended for mounting to flat, surfaces without voids or large holes.
- * Pac Strut can replace many industry standard strut products.
- * Pac Strut utilizes PAC Channel Nuts P/N 2023, P/N 3023 (#10-24), P/N 3024(1/4-20) for mounting brackets and equipment.
- * Pac Strut is compatible Channel Cushion P/N 1006-3
- * Pac Strut can mount to PAC Trac with P/N 7016 Trac Lok inserts and P/N 2049 screws



Bracket Kits which include Pac Strut come pre-punched. Standard lengths require drilling of mounting holes.



COMPATIBLE BRACKET HARDWARE

	P/N 2023	1/4-20 Steel Channel Nut
	P/N 3023	#10-24 Channel Nut
	P/N 3024	1/4-20 Channel Nut
	P/N 1006-3	Channel Cushion

COMPATIBLE MOUNTING HARDWARE

	1/4-20	SCREW
	1/4-20	NUT
	P/N 7016	TRAC LOK INSERT FOR MOUNTING TO PAC TRAC
	P/N 2049	SCREW #10-24 X 3/4" COMPATIBLE WITH TRAC LOK INSERT