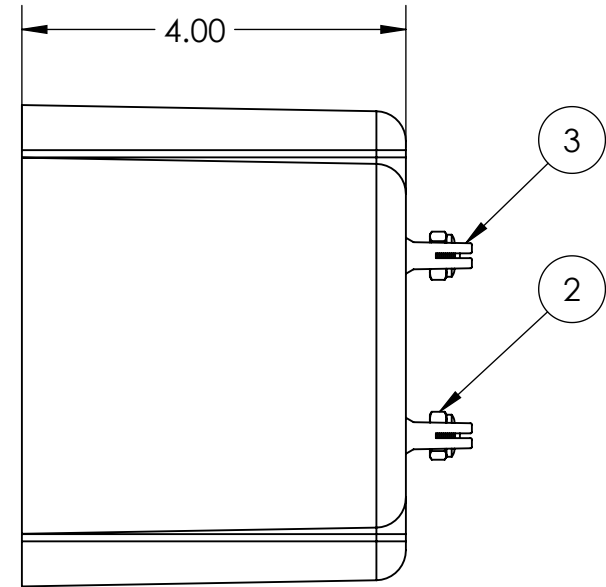
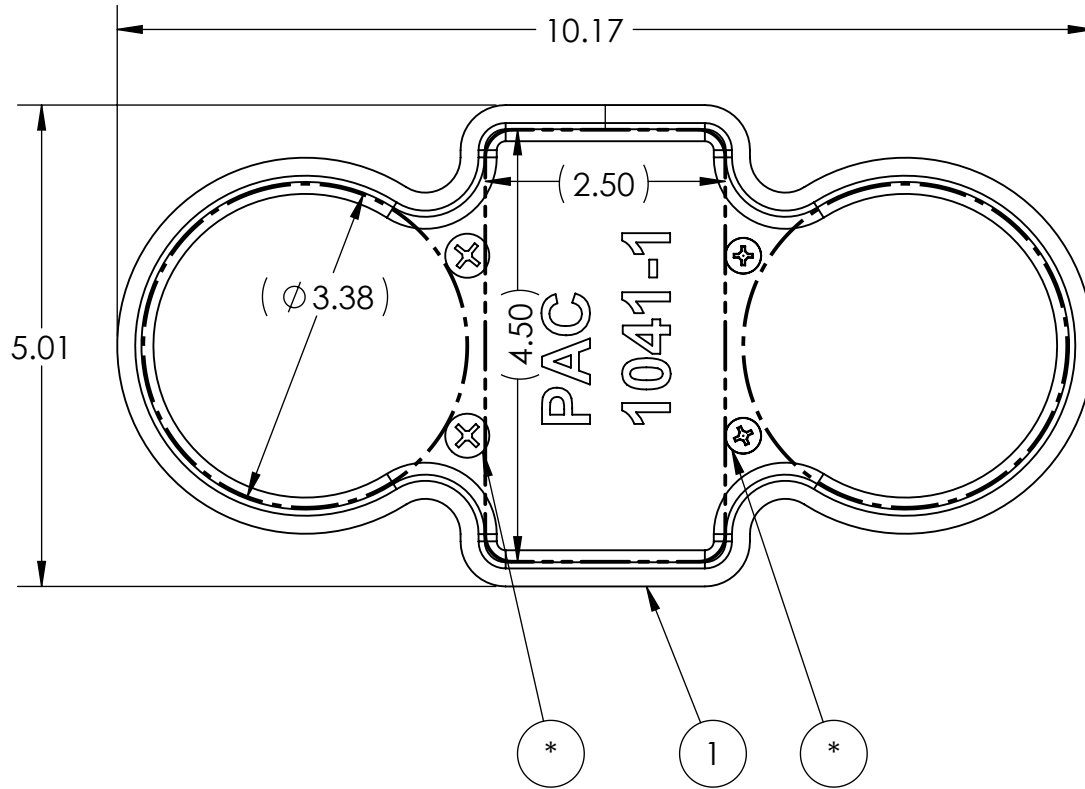


REV	DESCRIPTION	DATE	APPR



3	7029	FASTENER KIT	1
2	2035	FASTENER PACK	1
1	1041-1P	DUAL GAS/OIL CONTAINER MOUNT	1
ITEM NO.	PAC P/N	PART NAME	QTY.

**NOTES:**

**FOR USE WITH 1 QT. ROUND AND RECTANGULAR CONTAINERS**

**PERFORMANCE  
ADVANTAGE  
COMPANY**



**TOLERANCES UNLESS OTHERWISE SPECIFIED**

.X= ± .03  
.XX= ± .010  
.XXX= ± .005  
.XXXX= ± 0.0005  
ANGLES ± 0.5 °  
FRACTIONAL ± 1/64

THIRD ANGLE PROJECTION



COLOR

NAME	DATE
DRAWN BY	
APPR. BY	
MFG BY	
MFG. P/N	
ENG APPR.	
MATERIAL	
ALT. MATERIAL	
FINISH	

THE INFORMATION CONTAINED IN THIS DRAWING IS THE SOLE PROPERTY OF PERFORMANCE ADVANTAGE CO. ANY REPRODUCTION IN PART OR AS A WHOLE WITHOUT THE WRITTEN PERMISSION OF PERFORMANCE ADVANTAGE CO. IS PROHIBITED.

**TITLE:**

**DUAL GAS/OIL  
POCKET MOUNT**

**PART NUMBER**

**1041-1**

REV

**SCALE: 1:2**

**SHEET 1 OF 1**