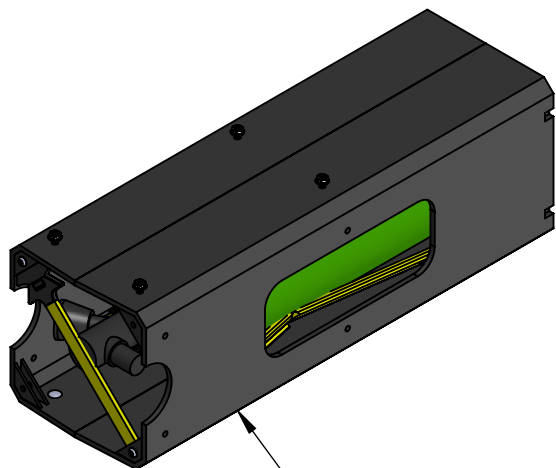
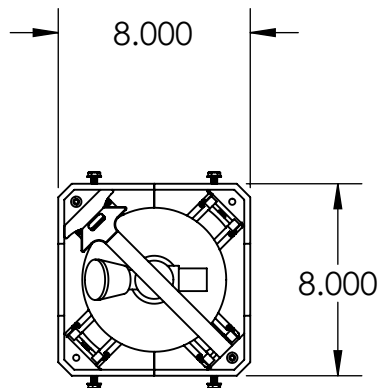


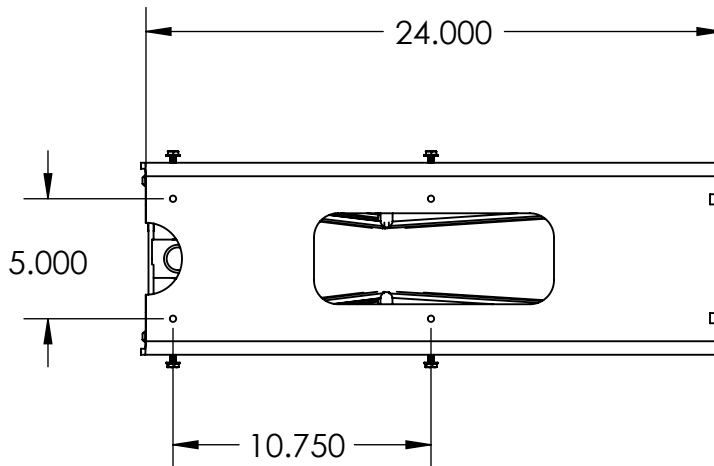
REV	DESCRIPTION	DATE	APPR



1



2



2	7037	FASTENER KIT - CYLINDER MOUNT	1
1	CM6000P	CYLINDER MATE PART	1
ITEM NO.	PAC P/N	PART NAME	QTY.

NOTES:

PERFORMANCE
ADVANTAGE
COMPANY



TOLERANCES UNLESS OTHERWISE SPECIFIED

.X= ± .03
.XX= ± .010
.XXX= ± .005
.XXXX= ± 0.0005
ANGLES ± 0.5 °
FRACTIONAL ± 1/64

THIRD ANGLE PROJECTION



COLOR

NAME	DATE
DRAWN BY	
APPR. BY	
MFG BY	
MFG. P/N	
ENG APPR.	
MATERIAL	
ALT. MATERIAL	
FINISH	

THE INFORMATION CONTAINED IN THIS DRAWING IS THE SOLE PROPERTY OF **PERFORMANCE ADVANTAGE CO.** ANY REPRODUCTION IN PART OR AS A WHOLE WITHOUT THE WRITTEN PERMISSION OF PERFORMANCE ADVANTAGE CO. IS PROHIBITED.

TITLE:

CYLINDER MATE KIT

PART NUMBER
CM6000

REV

SCALE: 1:8

SHEET 1 OF 1