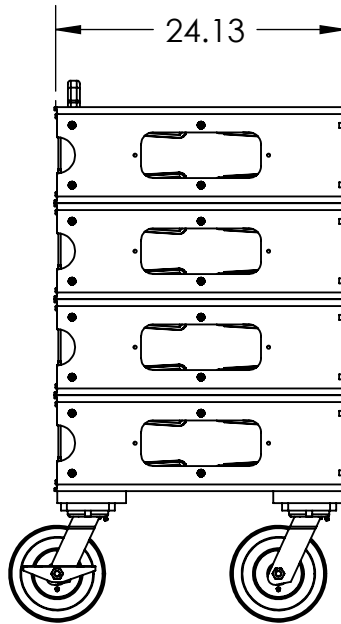
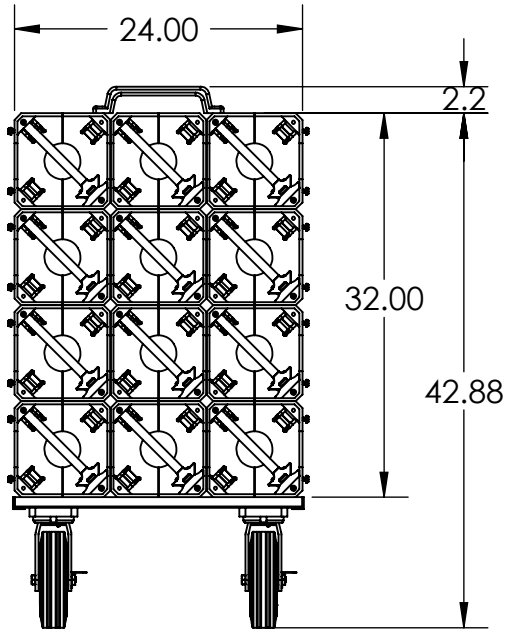
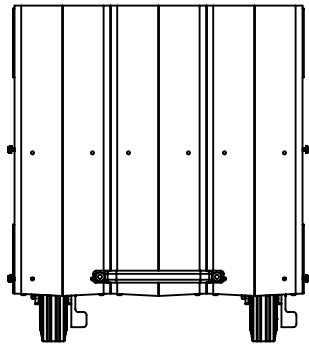


| REV | DESCRIPTION | DATE | APPR |
|-----|-------------|------|------|
| | | | |



NOTES:

**Performance
Advantage
Company**



TOLERANCES UNLESS OTHERWISE SPECIFIED

- .X = ± .03
- .XX = ± .010
- .XXX = ± .005
- .XXXX = ± 0.0005
- ANGLES ± 0.5 °
- FRACTIONAL ± 1/64

THIRD ANGLE PROJECTION



COLOR (12 Pack)

| | NAME | DATE |
|---------------|------|------|
| DRAWN BY | | |
| APPR. BY | | |
| MFG BY | | |
| MFG. P/N | | |
| ENG APPR. | | |
| MATERIAL | | |
| ALT. MATERIAL | | |
| FINISH | | |

THE INFORMATION CONTAINED IN THIS DRAWING IS THE SOLE PROPERTY OF PERFORMANCE ADVANTAGE CO. ANY REPRODUCTION IN PART OR AS A WHOLE WITHOUT THE WRITTEN PERMISSION OF PERFORMANCE ADVANTAGE CO. IS PROHIBITED.

TITLE:
CYLINDER MATE MOBILE
(12 Pack)

PART NUMBER
CM600-12

SCALE: 1:16 SHEET 1 OF 1