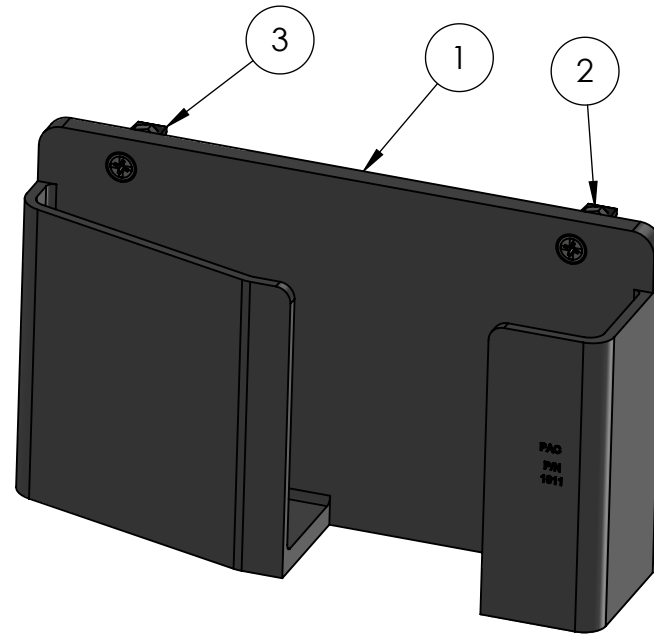


| REV | DESCRIPTION | DATE | APPR |
|-----|-------------|------|------|
| | | | |



| 3 | 7021 | FASTENER KIT | 1 |
|----------|---------|---------------------|-----|
| 2 | 2032 | FASTENER KIT | 1 |
| 1 | 1011 | FLATHEAD AXE POCKET | 1 |
| ITEM NO. | PAC P/N | PART NAME | QTY |

NOTES:

PERFORMANCE
ADVANTAGE
COMPANY



TOLERANCES UNLESS OTHERWISE SPECIFIED

.X= ± .03
.XX= ± .010
.XXX= ± .005
.XXXX= ± 0.0005
ANGLES ± 0.5 °
FRACTIONAL ± 1/64

THIRD ANGLE PROJECTION



COLOR BLACK

| NAME | DATE |
|---------------------------|----------|
| DRAWN BY JIM GONZALEZ | 3/1/2010 |
| APPR. BY RICHARD YOUNG | 3/1/2010 |
| MFG BY RODGARD | |
| MFG. P/N 400-N-381-01 | |
| ENG APPR. | |
| MATERIAL RODGARD CMPD 024 | |
| ALT. MATERIAL | |
| FINISH | |

THE INFORMATION CONTAINED IN THIS DRAWING IS THE SOLE PROPERTY OF PERFORMANCE ADVANTAGE CO. ANY REPRODUCTION IN PART OR AS A WHOLE WITHOUT THE WRITTEN PERMISSION OF PERFORMANCE ADVANTAGE CO. IS PROHIBITED.

TITLE:

FLATHEAD AXE POCKET

PART NUMBER

1011

REV

SCALE: 1:3

SHEET 1 OF 1