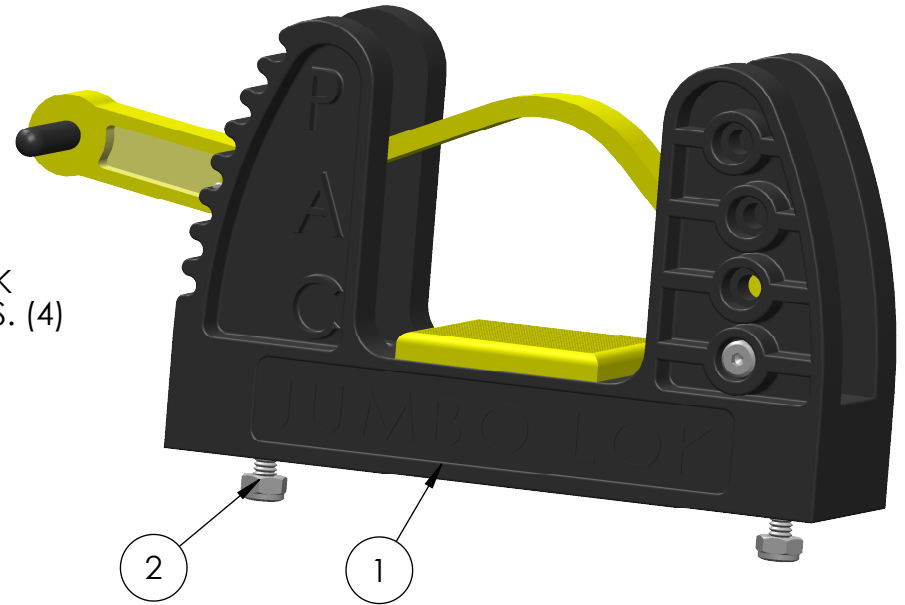


REV	DESCRIPTION	DATE	APPR



GRIP RANGE: 3/8" - 3-1/4"

JUMBO LOK VERSIONS:

NOTES:

- P/N 1070 - YELLOW STRAP,
- P/N 1070B - BLACK STRAP,
- P/N 1070-OR - ORANGE STRAP,

**PERFORMANCE
ADVANTAGE
COMPANY**



2	7042	FASTENER PAK - JUMBO LOK	1
1	1070P	JUMBO LOK PART	1
ITEM NO.	PAC P/N	PART NAME	QTY

TOLERANCES UNLESS OTHERWISE SPECIFIED

.X = ± .03
.XX = ± .010
.XXX = ± .005
.XXXX = ± 0.0005
ANGLES ± 0.5 °
FRACTIONAL ± 1/64

THIRD ANGLE PROJECTION



COLOR

NAME	DATE
DRAWN BY JIM GONZALEZ	3/16/2010
APPR. BY JIM GONZALEZ	3/16/2010
MFG BY PM PLASTICS	
MFG. P/N	
ENG APPR.	
MATERIAL	
ALT. MATERIAL	
FINISH	

THE INFORMATION CONTAINED IN THIS DRAWING IS THE SOLE PROPERTY OF PERFORMANCE ADVANTAGE CO. ANY REPRODUCTION IN PART OR AS A WHOLE WITHOUT THE WRITTEN PERMISSION OF PERFORMANCE ADVANTAGE CO. IS PROHIBITED.

TITLE:

**JUMBO LOK
YELLOW STRAP, STD.**

PART NUMBER 1070	REV
----------------------------	-----

SCALE: 1:2

SHEET 1 OF 3