



**HD RESCUE TOOL MTG BASE**

**P/N 1035**

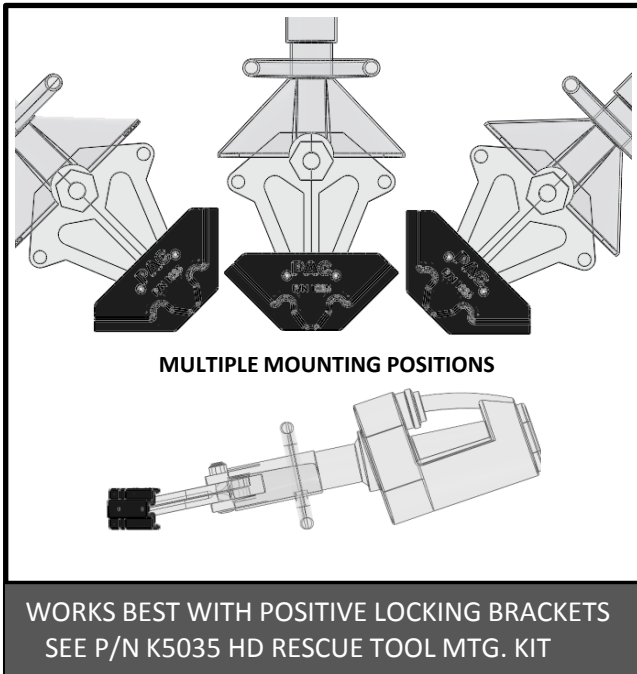
**INSTALLATION INSTRUCTIONS**



For additional assistance call 888-514-0083 between 8AM-5PM EST or email: info@pactoolmounts.com



**CAUTION**

To avoid the risk of personal injury, property damage or product damage, please use the included fasteners for mounting.

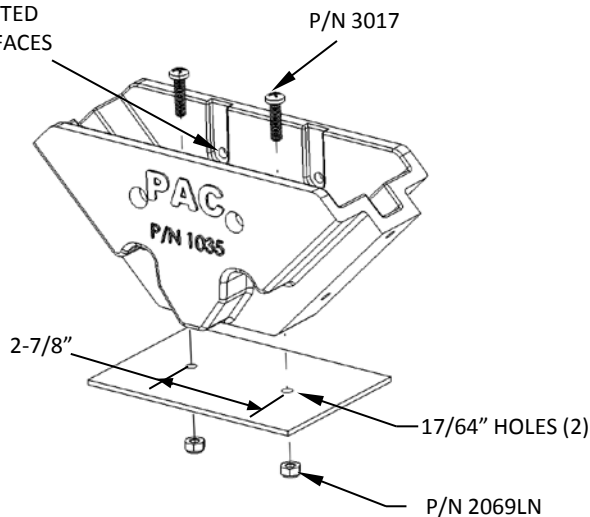
- \* The bracket must be securely mounted to a stable surface and material.
- \* When mounting bracket to PAC TRAC aluminum products **P/N 7000, P/N 7020, P/N 7040, P/N 7050** with the included Trac Lok inserts **P/N 7016**, torque the screws to a maximum 15 in-lbs.
- \* PAC recommends regular and frequent inspections to be certain of proper operation and installation.



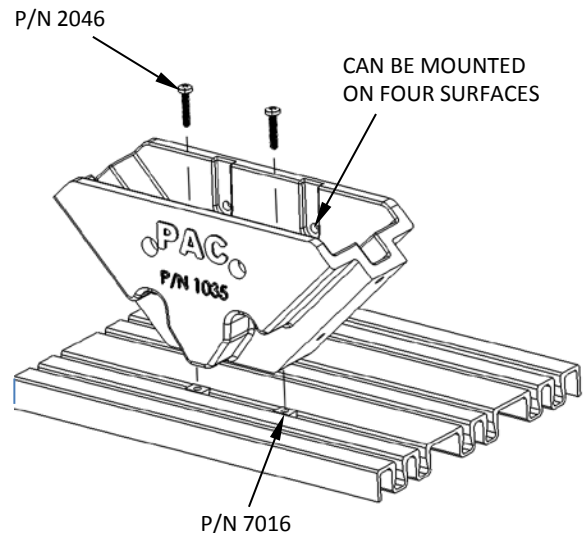
MTG. HARDWARE for PAC TRAC PAC Fastener Packet P/N 7049		QTY
 P/N 2046	#10-24 x 1 S.S. S.S. Pan Head Screw	2
 P/N 7016	Trac Lok Insert	2

STANDARD MTG. HARDWARE PAC Fastener Packet P/N 7049		QTY
 P/N 3017	¼-20 x 1 S.S. S.S. Pan Head Screw	2
 P/N 2069LN	¼-20 Nylon Locking Nut	2

CAN BE MOUNTED ON FOUR SURFACES



**FIGURE 1**  
(Thru Mounting Method)



**FIGURE 2**  
(PAC TRAC Mounting)