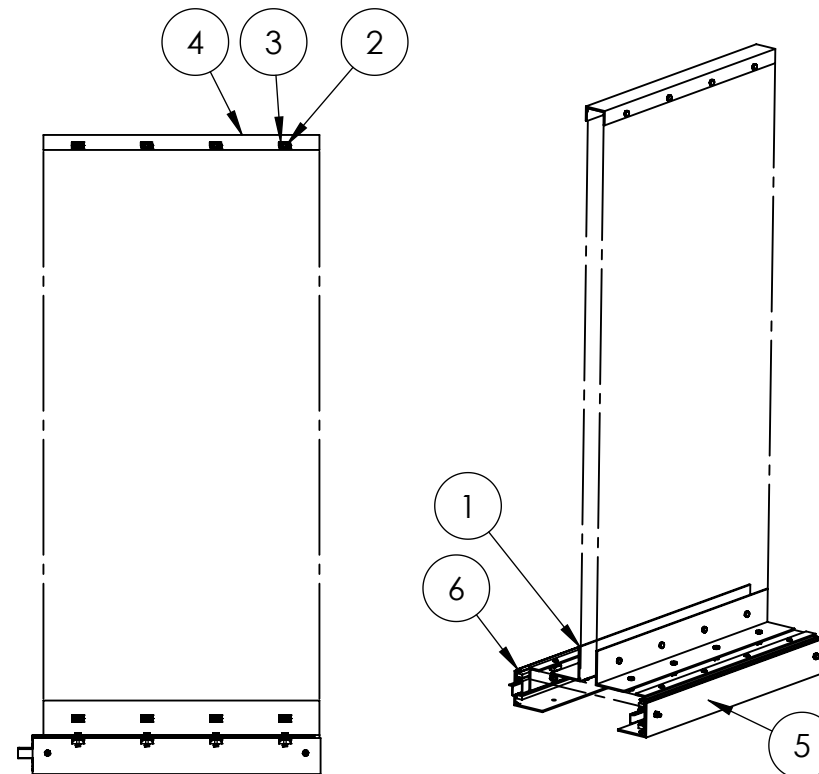


REV	DESCRIPTION	DATE	APPR



6	HSO-24-903	SLIDE ASSEMBLY LOCKING LH	1
5	HSO-24-901	SLIDE ASSEMBLY LOCKING RH	1
4	7009-4P	4 SECTION U-CHANNEL (23")	1
3	2023	1/4-20 CHANNEL NUT	24
2	2069	HEX BOLT 1/4-20 X 3/4	24
1	HSO-24-202	MOUNTING ANGLE	2
ITEM NO.	PAC P/N	PART NAME	QTY

<table border="1"> <thead> <tr> <th>NAME</th> <th>DATE</th> </tr> </thead> <tbody> <tr> <td>DRAWN BY: JPG</td> <td>11/7/13</td> </tr> <tr> <td>APPR. BY:</td> <td> </td> </tr> <tr> <td>MFG BY:</td> <td> </td> </tr> <tr> <td>MFG. P/N:</td> <td> </td> </tr> <tr> <td>ENG APPR.:</td> <td> </td> </tr> <tr> <td>MATERIAL:</td> <td> </td> </tr> <tr> <td>ALT. MATERIAL:</td> <td> </td> </tr> <tr> <td>FINISH:</td> <td> </td> </tr> <tr> <td>COLOR:</td> <td> </td> </tr> </tbody> </table>	NAME	DATE	DRAWN BY: JPG	11/7/13	APPR. BY:		MFG BY:		MFG. P/N:		ENG APPR.:		MATERIAL:		ALT. MATERIAL:		FINISH:		COLOR:		<p>THE INFORMATION CONTAINED IN THIS DRAWING IS THE SOLE PROPERTY OF PERFORMANCE ADVANTAGE CO. ANY REPRODUCTION IN PART OR AS A WHOLE WITHOUT THE WRITTEN PERMISSION OF PERFORMANCE ADVANTAGE CO. IS PROHIBITED.</p> <p>TITLE: VERTICAL SLIDE OUT - BASE MOUNT 24" TRAVEL</p> <p>PART NUMBER VSOB-24</p> <p>REV</p>
NAME	DATE																				
DRAWN BY: JPG	11/7/13																				
APPR. BY:																					
MFG BY:																					
MFG. P/N:																					
ENG APPR.:																					
MATERIAL:																					
ALT. MATERIAL:																					
FINISH:																					
COLOR:																					
SCALE: 1:16	SHEET 1 OF 1																				

NOTES:

BOARD MATERIAL: (ORDER SEPARATELY)

P/N 7020 DUAL TRAC - 4 SECTIONS REQ'D (MIN. = 9-5/8") (MAX. = 48")
P/N 7040 DOUBLE FACE DUAL TRAC - 4 SECTIONS REQ'D (MAX. = 50")

LOAD CAPACITY: (INCLUDING BOARD WEIGHT)

MAX. LOAD 400LBS AT FULL 24" EXTENSION

SPACE REQUIREMENTS:

OAW=7020 CUT LG + 3-1/8"
MIN. **OAW** = 12-3/4" MAX. **OAW** = 51-1/8"
OAH=7040 CUT LG + 3-1/4"
MAX. **OAH** = 53-1/4"
MIN. **DEPTH** REQ'D = 25-3/8"

FEATURES:

LOCK IN/ LOCK OUT
VERTICAL WALL MAY BE CENTERED OR OFFSET

**Performance
Advantage
Company**



TOLERANCES UNLESS OTHERWISE SPECIFIED

.X = ±.03
.XX = ±.010
.XXX = ±.005
.XXXX = ±0.0005
ANGLES ±0.5 °
FRACTIONAL ±1/64

THIRD ANGLE PROJECTION



COLOR