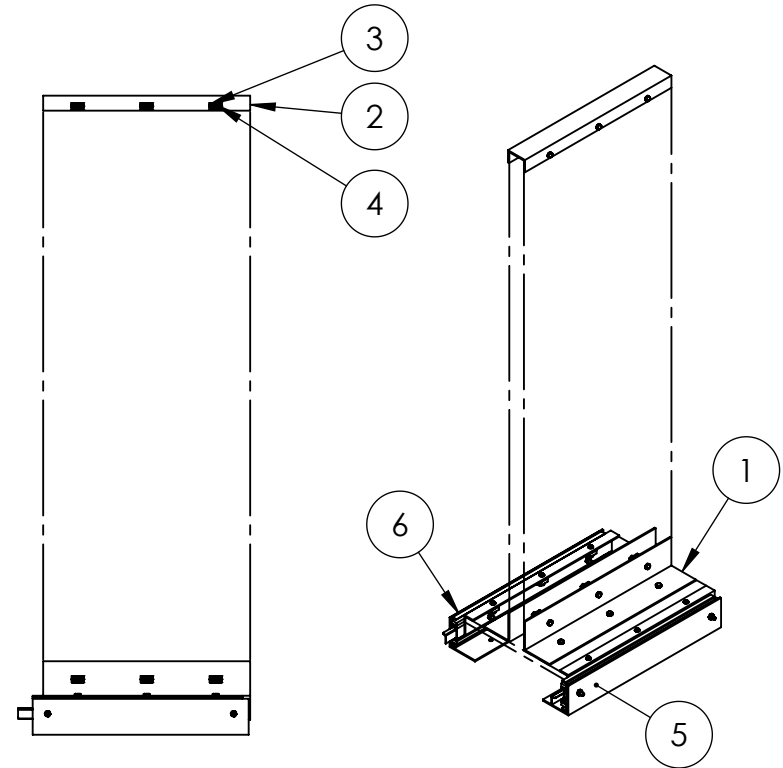
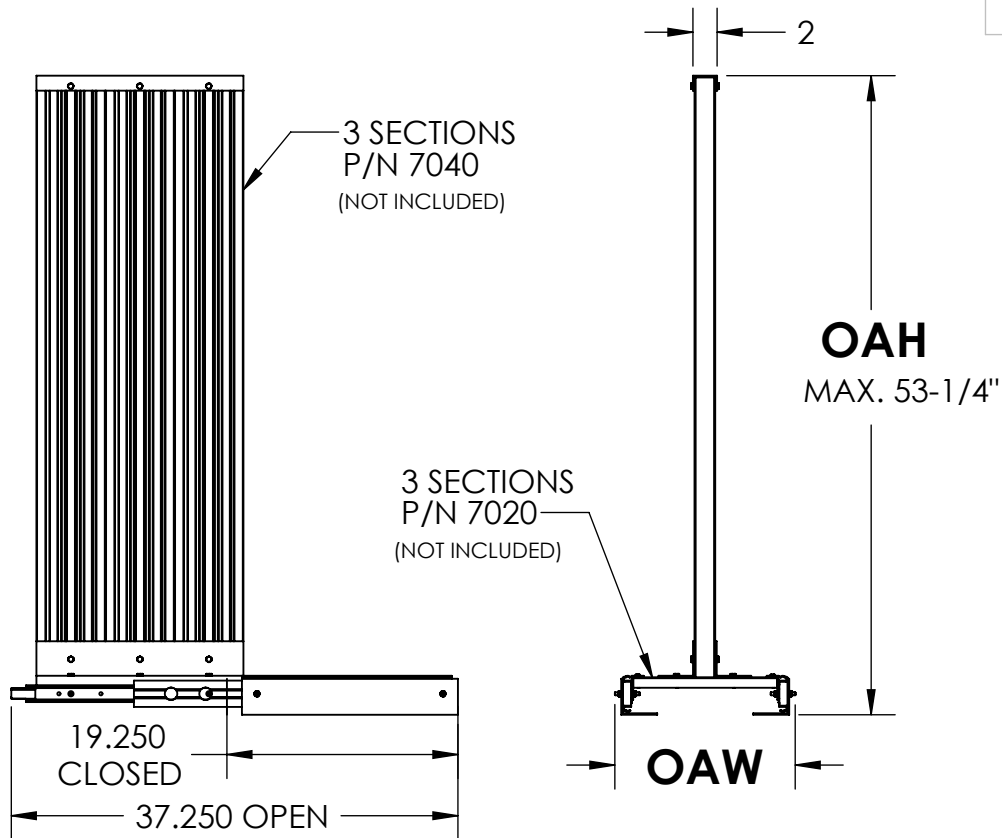


REV	DESCRIPTION	DATE	APPR



NOTES:

BOARD MATERIAL: (ORDER SEPARATELY)

P/N 7020 DUAL TRAC - 3 SECTIONS REQ'D (MIN. = 9-5/8") (MAX. = 48")
P/N 7040 DOUBLE FACE DUAL TRAC - 3 SECTIONS REQ'D (MAX. = 50")

LOAD CAPACITY: (INCLUDING BOARD WEIGHT)

MAX. LOAD 400LBS AT FULL 18" EXTENSION

SPACE REQUIREMENTS:

OAW=7020 CUT LG + 3-1/8"
MIN. **OAW** = 12-3/4" MAX. **OAW** = 51-1/8"
OAH=7040 CUT LG + 3-1/4"
MAX. **OAH** = 53-1/4"
MIN. **DEPTH** REQ'D = 19-3/8"

FEATURES:

LOCK IN/ LOCK OUT
VERTICAL WALL MAY BE CENTERED OR OFFSET

6	HSO-18-903	SLIDE ASSEMBLY LOCKING LH	1
5	HSO-18-901	HOZ SLIDE ASSEMBLY LOCKING RH	1
4	2069	HEX BOLT 1/4-20 X 3/4	18
3	2023	1/4-20 CHANNEL NUT	18
2	7009-3P	U-CHANNEL	1
1	HSO-18-202	MOUNTING ANGLE	2
ITEM NO.	PAC P/N	PART NAME	QTY

Performance Advantage Company



TOLERANCES UNLESS OTHERWISE SPECIFIED

.X = ± .03
.XX = ± .010
.XXX = ± .005
.XXXX = ± 0.0005
ANGLES ± 0.5 °
FRACTIONAL ± 1/64

THIRD ANGLE PROJECTION



COLOR

	NAME	DATE
DRAWN BY	JPG	11-7-13
APPR. BY		
MFG BY		
MFG. P/N		
ENG APPR.		
MATERIAL		
ALT. MATERIAL		
FINISH		

THE INFORMATION CONTAINED IN THIS DRAWING IS THE SOLE PROPERTY OF PERFORMANCE ADVANTAGE CO. ANY REPRODUCTION IN PART OR AS A WHOLE WITHOUT THE WRITTEN PERMISSION OF PERFORMANCE ADVANTAGE CO. IS PROHIBITED.

TITLE:

VERTICAL SLIDE OUT - BASE MOUNT
18" TRAVEL

PART NUMBER

VS0B-18

REV

SCALE: 1:16

SHEET 1 OF 1