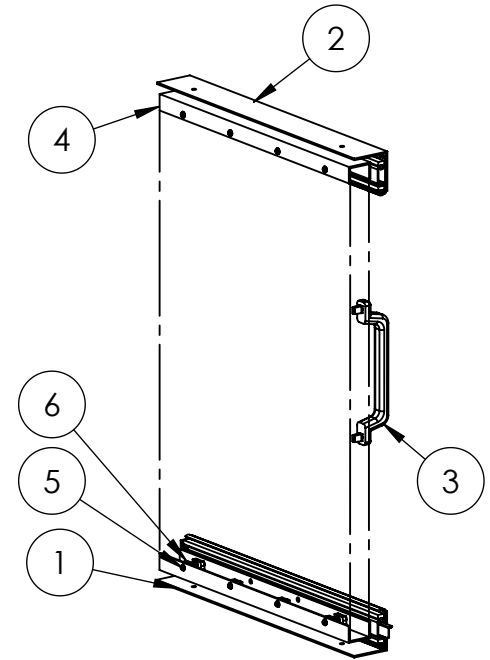
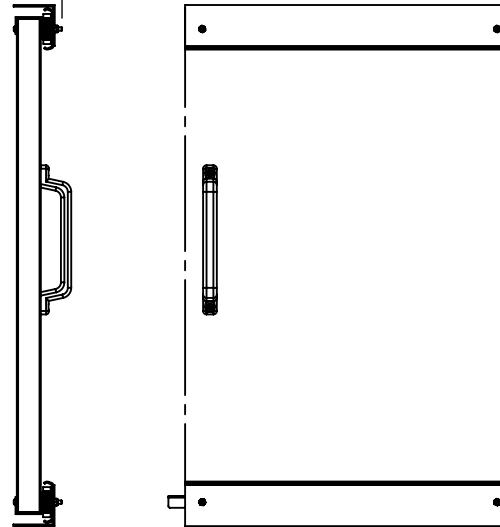
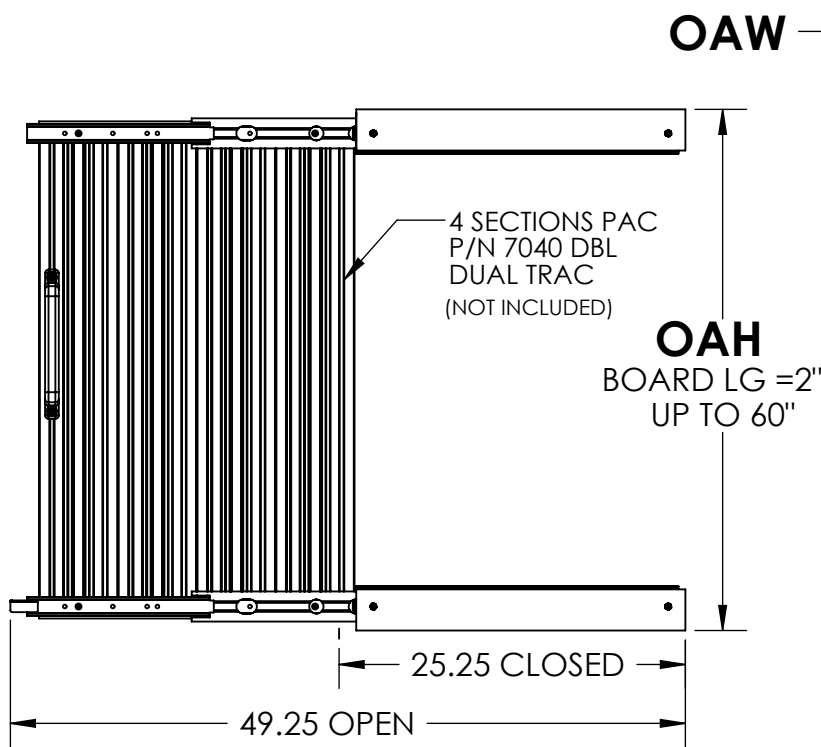


REV	DESCRIPTION	DATE	APPR



6	2023	1/4-20 CHANNEL NUT	12
5	2060	1/4-20 X 3/4 B.H.C.S.	12
4	7009-4P	4 SECTION (23"LG)	2
3	HANDLE-PT	HANDLE ASSEMBLY FOR PAC TRAC	1
2	VSO-24-902	SLIDE ASSEMBLY NON LOCKING RH	1
1	VSO-24-901	SLIDE ASSEMBLY LOCKING RH	1
ITEM NO.	PAC P/N	PART NAME	QTY

NOTES:

BOARD MATERIAL: (ORDER SEPARATELY)

P/N 7040 DUAL TRAC - 4 SECTIONS REQ'D (MAX. = 60")

LOAD CAPACITY: (INCLUDING BOARD WEIGHT)

MAX. LOAD 400LBS AT FULL 24" EXTENSION

SPACE REQUIREMENTS:

OAW = 3-5/8"

MIN. DEPTH REQ'D = 25-3/8"

OAH = UP TO 60"

FEATURES:

LOCK IN/ LOCK OUT

**Performance
Advantage
Company**



TOLERANCES UNLESS OTHERWISE SPECIFIED

.X = ±.03
.XX = ±.010
.XXX = ±.005
.XXXX = ±0.0005
ANGLES ±0.5°
FRACTIONAL ±1/64

THIRD ANGLE PROJECTION



COLOR

NAME	DATE
DRAWN BY JPG	11-11-13
APPR. BY	
MFG BY	
MFG. P/N	
ENG APPR.	
MATERIAL	
ALT. MATERIAL	
FINISH	

THE INFORMATION CONTAINED IN THIS DRAWING IS THE SOLE PROPERTY OF PERFORMANCE ADVANTAGE CO. ANY REPRODUCTION IN PART OR AS A WHOLE WITHOUT THE WRITTEN PERMISSION OF PERFORMANCE ADVANTAGE CO. IS PROHIBITED.

TITLE:

**4 SECTION SLIDE OUT RH
24" TRAVEL**

PART NUMBER

VSO-24 RH

REV

SCALE: 1:14

SHEET 1 OF 1