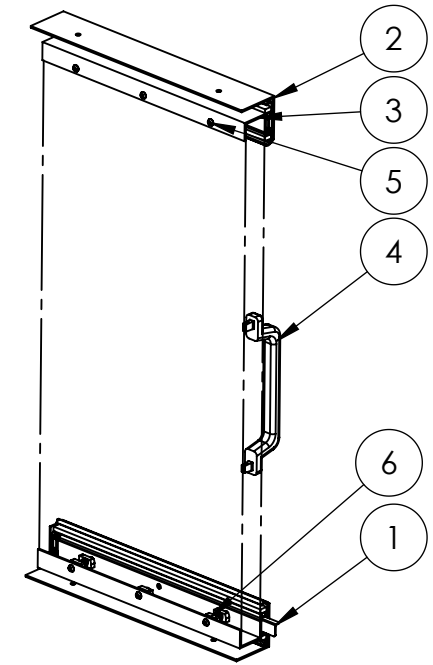
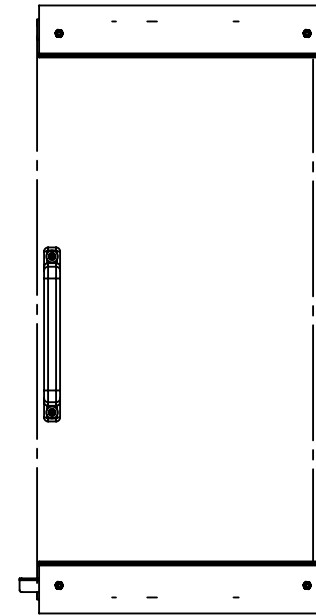


REV	DESCRIPTION	DATE	APPR



NOTES:

BOARD MATERIAL: (ORDER SEPARATELY)
P/N 7040 DUAL TRAC - 3 SECTIONS REQ'D (MAX. = 60")

LOAD CAPACITY: (INCLUDING BOARD WEIGHT)
MAX. LOAD 400LBS AT FULL 18" EXTENSION

SPACE REQUIREMENTS:

OAW = 3-5/8"
MIN. DEPTH REQ'D = 19-3/8"
OAH = UP TO 60"

FEATURES:

LOCK IN/ LOCK OUT

ITEM NO.	PAC P/N	PART NAME	QTY
6	2023	1/4-20 CHANNEL NUT	10
5	2060	1/4-20 X 3/4 B.H.C.S.	10
4	HANDLE-PT	HANDLE ASSEMBLY FOR PAC TRAC	1
3	7009-3P	3 SECTION (17-1/4"LG)	2
2	VSO-18-902	SLIDE ASSEMBLY NON-LOCKING RH	1
1	VSO-18-901	SLIDE ASSEMBLY LOCKING RH	1

Performance Advantage Company



TOLERANCES UNLESS OTHERWISE SPECIFIED

.X = ± .03
.XX = ± .010
.XXX = ± .005
.XXXX = ± 0.0005
ANGLES ± 0.5 °
FRACTIONAL ± 1/64

THIRD ANGLE PROJECTION



COLOR

NAME	DATE
DRAWN BY: JPG	11-11-13
APPR. BY:	
MFG BY:	
MFG. P/N:	
ENG APPR.:	
MATERIAL:	
ALT. MATERIAL:	
FINISH:	

THE INFORMATION CONTAINED IN THIS DRAWING IS THE SOLE PROPERTY OF PERFORMANCE ADVANTAGE CO. ANY REPRODUCTION IN PART OR AS A WHOLE WITHOUT THE WRITTEN PERMISSION OF PERFORMANCE ADVANTAGE CO. IS PROHIBITED.

TITLE:

**3 SECTION SLIDEOUT RH
18" TRAVEL**

PART NUMBER

VSO-18 RH

REV

SCALE: 1:12

SHEET 1 OF 1