




VERTICAL BOARD for HORIZONTAL SLIDE P/N VSOB-18 (18" DEEP) P/N VSOB-24 (24" DEEP) **INSTALLATION INSTRUCTIONS**

For additional assistance call (888)-514-0083 between 8AM-5PM EST or email: info@pactoolmounts.com

CAUTION

To avoid the risk of personal injury, property damage or product damage, please use the included fasteners for mounting.


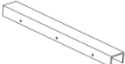



- * This product must be securely mounted to a stable surface and material.
- * Misuse of this product may result damage or injury and void warranty.
- * Verify that all fasteners have been tightened securely before putting into service.
- * **CAUTION:** Cut edges of aluminum extrusions may be sharp. Use care when handling or assembly.

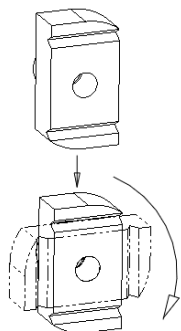
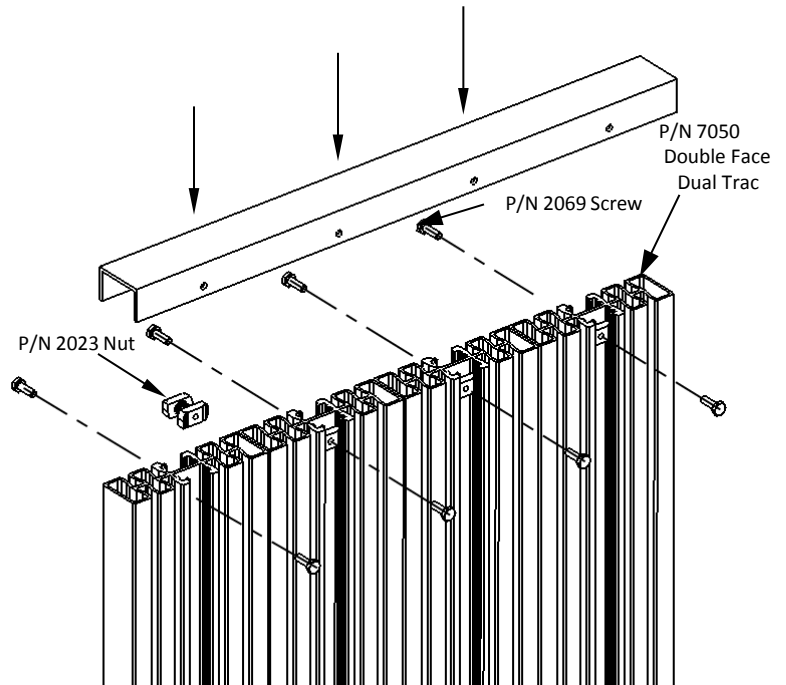
 Tool Board materials and hardware are determined by size and/or customer specifications and therefore must be ordered separately. Illustrations shown may not be representative of quantity or size for every application.

VSOB TOOL BOARDS are designed to mount to the top of HSO-18 & HSO-24 horizontal slide outs.

STEP 1 – Assemble Board Sections with U-Channel

Align all sections of Double Face Dual Trac **P/N 7050** as shown. Position channel nuts **P/N 2023** into center grooves of board sections. Attach U-Channel **P/N 7009** over boards (fit may be tight). Secure with $\frac{1}{4}$ " screws **P/N 2069**

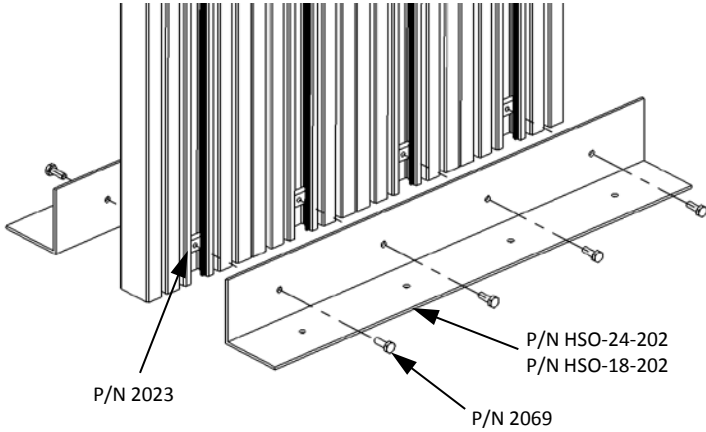
| Items Required for this step | VSOB-18 | VSOB-24 |
|--|---------------|---------------|
|  P/N 7050 Pac Dbl. Face Dual Trac (Length to suit) | 3 SECTIONS | 4 SECTIONS |
|  P/N 7009-3 U Channel (3 sect) | 1 | - |
|  P/N 7009-4 U channel (4 sect) | - | 1 |
|  P/N 2069 $\frac{1}{4}$ -20 x 5/8 HEX SCREW | 6 | 8 |
|  P/N 2023 $\frac{1}{4}$ -20 Channel Nut | 6 | 8 |

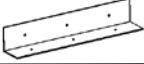





Push and Rotate
P/N 2023 Channel Nut

STEP 2 – Attach Mounting Angles

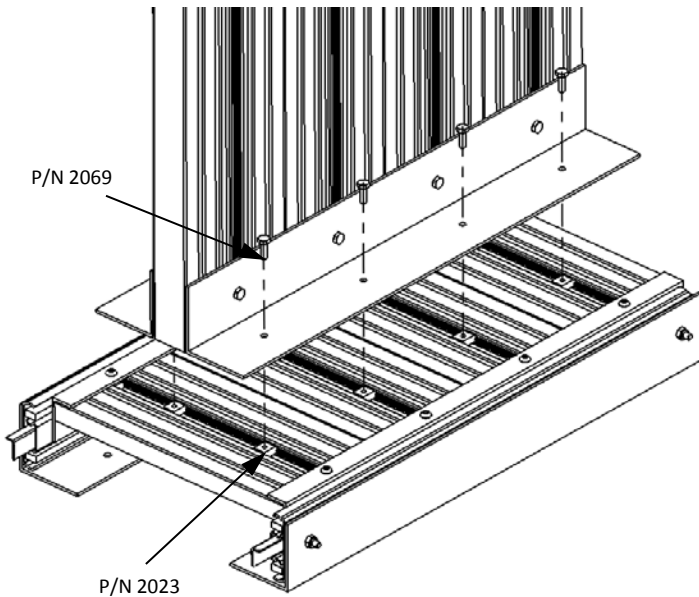
Attach the mounting angles **P/N HSO-24 (24")** or **P/N HSO-18 (18")** on both sides of the tool board with $\frac{1}{4}$ " screws **P/N 2069** and Channel Nuts **P/N 2023**. Make sure the angles are flat and even with the bottom edge of the tool board.





| Items Required for this step | | VS0B-18 | VS0B-24 |
|--|---|---------|---------|
|  | P/N HSO-18-202 MOUNTING ANGLE | 2 | - |
|  | P/N HSO-24-202 MOUNTING ANGLE | - | 2 |
|  | P/N 2069 $\frac{1}{4}$ -20 x 5/8 HEX SCREW | 6 | 8 |
|  | P/N 2023 $\frac{1}{4}$ -20 Channel Nut | 6 | 8 |

STEP 3 – Attach to Slide

Attach the tool board to the slide with $\frac{1}{4}$ " screws **P/N 2069** and Channel Nuts **P/N 2023**.



| Items Required for this step | | VS0B-18 | VS0B-24 |
|---|---|---------|---------|
|  | P/N 2069 $\frac{1}{4}$ -20 x 5/8 HEX SCREW | 6 | 8 |
|  | P/N 2023 $\frac{1}{4}$ -20 Channel Nut | 6 | 8 |