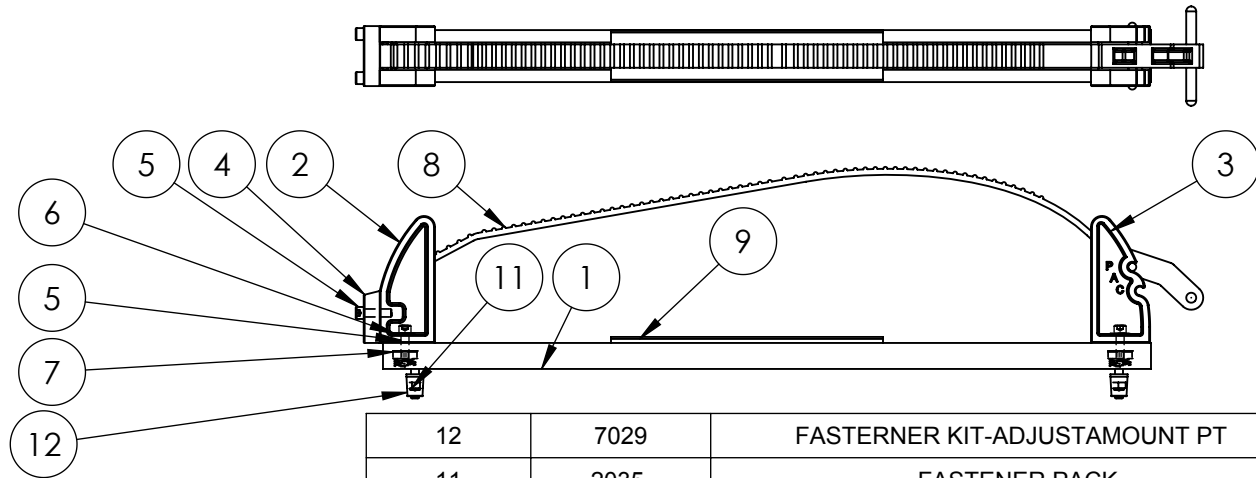
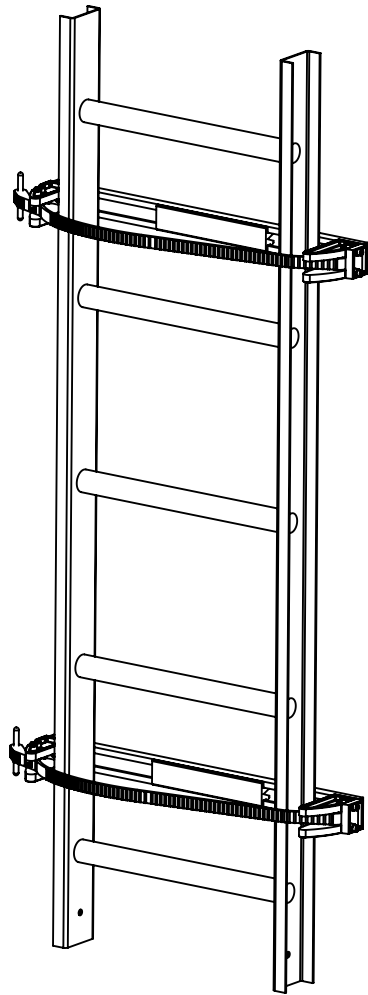


REV	DESCRIPTION	DATE	APPR



12	7029	FASTENER KIT-ADJUSTAMOUNT PT	1
11	2035	FASTENER PACK	1
10	2030	3/16 LONG ARM HEX KEY	1
9	1006-3	CHANNEL CUSHION	1
8	2008-1	LOCKING STRAP	1
7	2010	CHANNEL NUT 1/4-20	2
6	2011	1/4" FLAT WASHER	2
5	2002	1/4-20 X 7/8 S.H.C.S.	4
4	2073	SAM CLAMP TOP	1
3	2075	SAM LOCK END	1
2	2074	SAM CLAMP END	1
1	1006-2	UNISTRUT 24" P4000	1
ITEM NO.	PAC P/N	PART NAME	QTY.

**NOTES:**

ALSO AVAIL:  
 YELLOW STRAP P/N K5060-Y  
 ORANGE STRAP P/N K5060-OR

**P**ERFORMANCE  
**A**DVANTAGE  
**C**OMPANY



**TOLERANCES UNLESS OTHERWISE SPECIFIED**

.X= ±.03  
 .XX= ±.010  
 .XXX= ±.005  
 .XXXX= ±0.0005  
 ANGLES ±0.5 °  
 FRACTIONAL ±1/64

THIRD ANGLE PROJECTION



COLOR

NAME	DATE
DRAWN BY	
APPR. BY	
MFG BY	
MFG. P/N	
ENG APPR.	
MATERIAL	
ALT. MATERIAL	
FINISH	

THE INFORMATION CONTAINED IN THIS DRAWING IS THE SOLE PROPERTY OF PERFORMANCE ADVANTAGE CO. ANY REPRODUCTION IN PART OR AS A WHOLE WITHOUT THE WRITTEN PERMISSION OF PERFORMANCE ADVANTAGE CO. IS PROHIBITED.

**TITLE:**

EXT. ADJUSTAMOUNT KIT

**PART NUMBER**  
 K5060

SCALE: 1:6

SHEET 1 OF 2