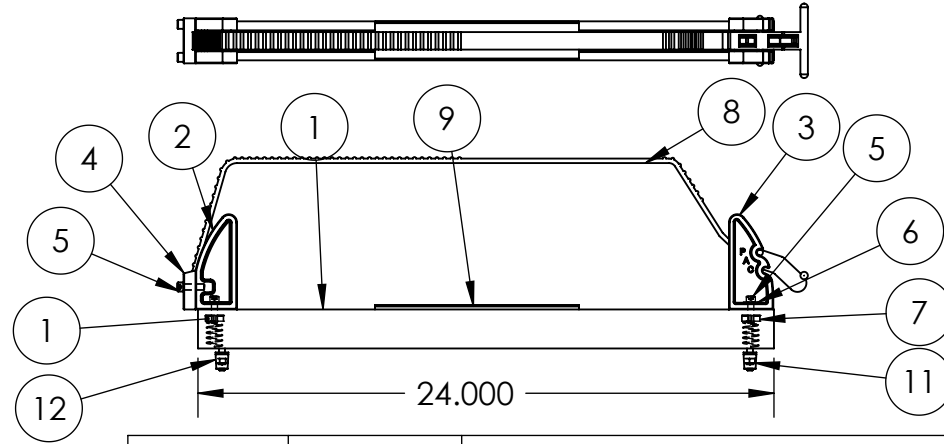
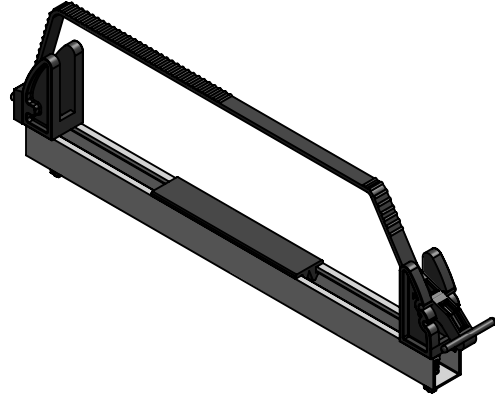
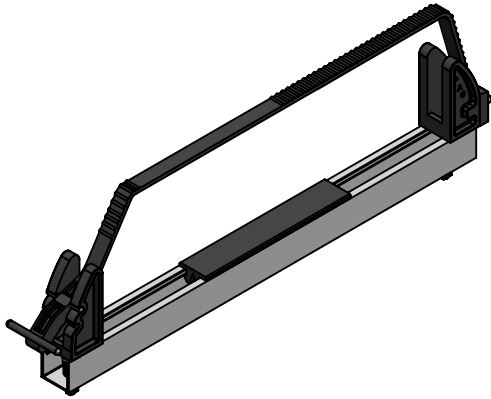


| REV | DESCRIPTION | DATE | APPR |
|-----|-------------|------|------|
| | | | |



| | | | |
|----------|---------|------------------------------|------|
| 12 | 7029 | FASTENER KIT-ADJUSTAMOUNT PT | 1 |
| 11 | 2035 | FASTENER PACK | 1 |
| 10 | 2030 | 3/16 LONG ARM HEX KEY | 1 |
| 9 | 1006-3 | CHANNEL CUSHION | 1 |
| 8 | 2008-1 | LOCKING STRAP | 1 |
| 7 | 2018 | 1/4-20 CHANNEL NUT | 2 |
| 6 | 2011 | 1/4" FLAT WASHER | 2 |
| 5 | 2002 | 1/4-20 X 7/8 S.H.C.S. | 4 |
| 4 | 2073 | SAM CLAMP TOP | 1 |
| 3 | 2075 | SAM LOCK END | 1 |
| 2 | 2074 | SAM CLAMP END | 1 |
| 1 | 1006-1B | UNISTRUT 24" (1000) | 1 |
| ITEM NO. | PAC P/N | PART NAME | QTY. |

NOTES:

PERFORMANCE
ADVANTAGE
COMPANY



TOLERANCES UNLESS OTHERWISE SPECIFIED

.X= ±.03
.XX= ±.010
.XXX= ±.005
.XXXX= ±0.0005
ANGLES ±0.5 °
FRACTIONAL ±1/64

THIRD ANGLE PROJECTION



COLOR

| NAME | DATE |
|---------------|------|
| DRAWN BY | |
| APPR. BY | |
| MFG BY | |
| MFG. P/N | |
| ENG APPR. | |
| MATERIAL | |
| ALT. MATERIAL | |
| FINISH | |

THE INFORMATION CONTAINED IN THIS DRAWING IS THE SOLE PROPERTY OF **PERFORMANCE ADVANTAGE CO.** ANY REPRODUCTION IN PART OR AS A WHOLE WITHOUT THE WRITTEN PERMISSION OF PERFORMANCE ADVANTAGE CO. IS PROHIBITED.

TITLE:

EXT. ADJUSTAMOUNT KIT HD

PART NUMBER

K5060-1

REV

SCALE: 1:8

SHEET 1 OF 1