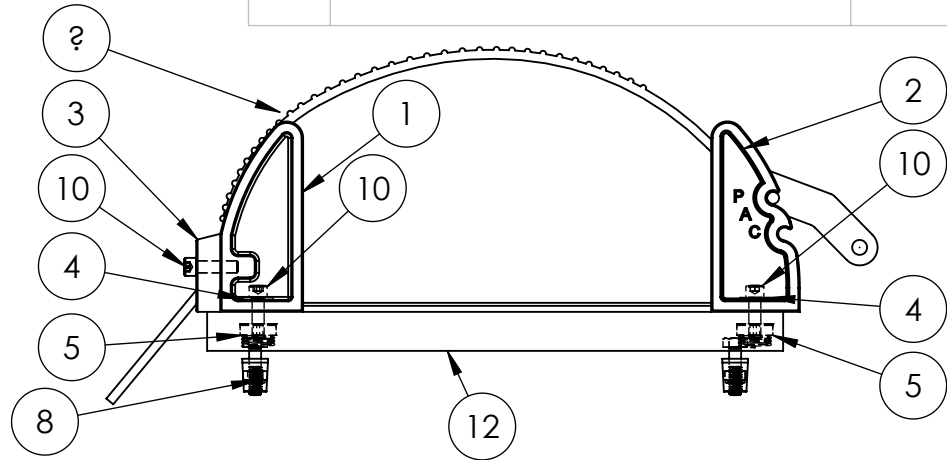


REV	DESCRIPTION	DATE	APPR



12	2019-12	UNI-STRUT - IRONS LOK		1
11	7029	FASTENER KIT-ADJUSTAMOUNT PT		1
10	2002	1/4-20 X 7/8 S.H.C.S.		4
9	2030	3/16 LONG ARM HEX KEY		1
8	2035	FASTENER PACK		1
7	1006-3	CHANNEL CUSHION	BLACK	1
6	2008	SAM LOCK STRAP		1
5	2010	CHANNEL NUT 1/4-20		2
4	2011	1/4" FLAT WASHER		2
3	2073	SAM CLAMP TOP		1
2	2075	SAM LOCK END		1
1	2074	SAM CLAMP END		1
ITEM NO.	PAC P/N	PART NAME	COLOR	QTY.

NOTES:

ALSO AVAIL:

YELLOW STRAP P/N K5050-Y
ORANGE STRAP P/N K5050-OR

**PERFORMANCE
ADVANTAGE
COMPANY**



TOLERANCES UNLESS OTHERWISE SPECIFIED

.X= ±.03
.XX= ±.010
.XXX= ±.005
.XXXX= ±0.0005
ANGLES ±0.5 °
FRACTIONAL ±1/64

THIRD ANGLE PROJECTION



COLOR

NAME DATE

DRAWN BY

APPR. BY

MFG BY

MFG. P/N

ENG APPR.

MATERIAL

ALT. MATERIAL

FINISH

THE INFORMATION CONTAINED IN THIS DRAWING IS THE SOLE PROPERTY OF PERFORMANCE ADVANTAGE CO. ANY REPRODUCTION IN PART OR AS A WHOLE WITHOUT THE WRITTEN PERMISSION OF PERFORMANCE ADVANTAGE CO. IS PROHIBITED.

TITLE:

SUPER ADJUSTAMOUNT

PART NUMBER

K5050

REV

SCALE: 1:4

SHEET 1 OF 2