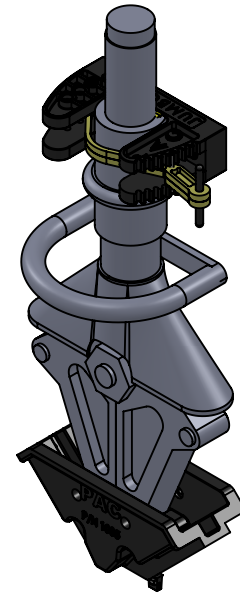
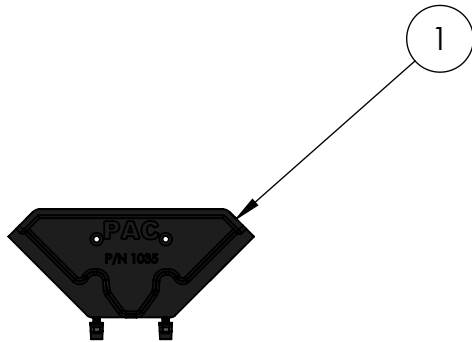
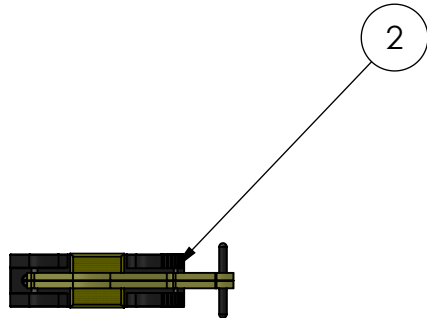


REV	DESCRIPTION	DATE	APPR



2	1070	JUMBO LOK	1
1	1035	HD RESCUE POCKET	1
ITEM NO.	PAC P/N	PART NAME	QTY.

NOTES:

ALSO AVAILABLE:

BLACK STRAP P/N K5035JL-B
ORANGE STRAP P/N K5035JL-OR

PERFORMANCE
ADVANTAGE
COMPANY



TOLERANCES UNLESS OTHERWISE SPECIFIED

.X= ± .03
.XX= ± .010
.XXX= ± .005
.XXXX= ± 0.0005
ANGLES ± 0.5 °
FRACTIONAL ± 1/64

THIRD ANGLE PROJECTION



COLOR

NAME	DATE
DRAWN BY	
APPR. BY	
MFG BY	
MFG. P/N	
ENG APPR.	
MATERIAL	
ALT. MATERIAL	
FINISH	

THE INFORMATION CONTAINED IN THIS DRAWING IS THE SOLE PROPERTY OF PERFORMANCE ADVANTAGE CO. ANY REPRODUCTION IN PART OR AS A WHOLE WITHOUT THE WRITTEN PERMISSION OF PERFORMANCE ADVANTAGE CO. IS PROHIBITED.

TITLE:

HD RESCUE TOOL MTG. KIT
JUMBO LOK YELLOW STRAP

PART NUMBER

K5035JL

REV

SCALE: 1:8

SHEET 1 OF 1