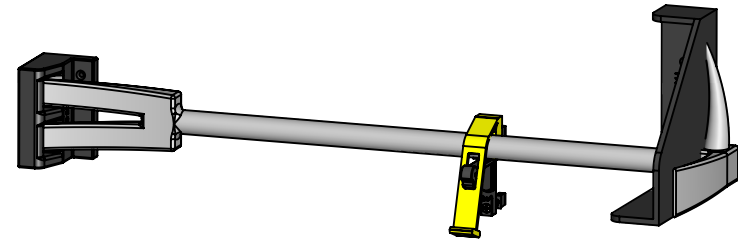
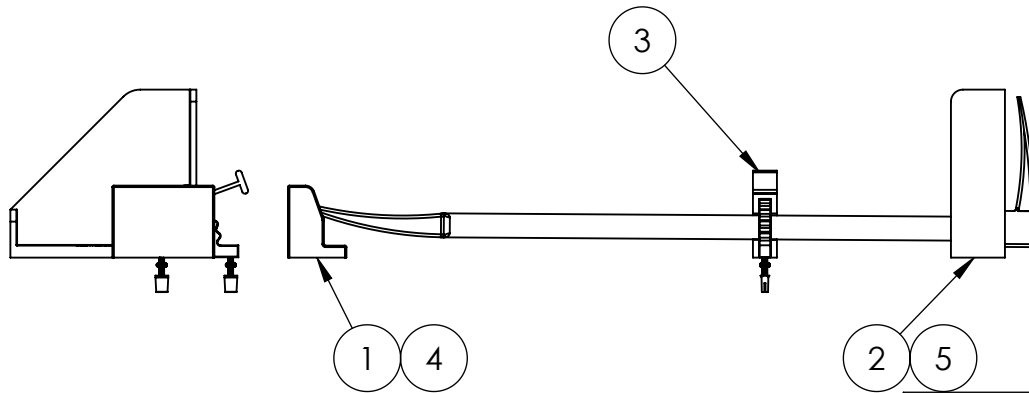
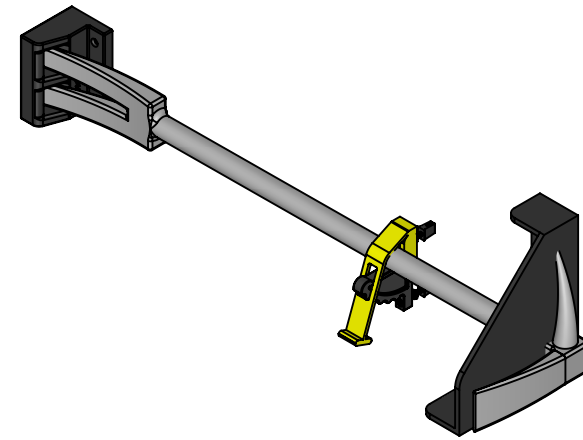
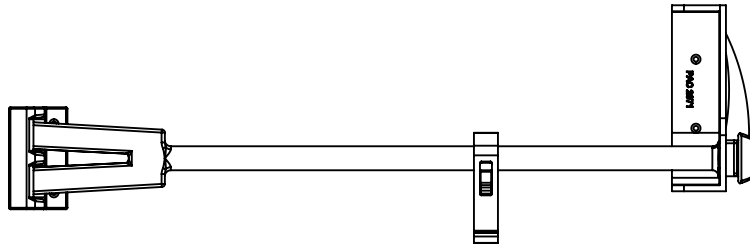


REV	DESCRIPTION	DATE	APPR



5	7027	FASTENER KIT		1
4	2034	FASTENER KIT		1
3	1003	TOOLOK		1
2	2071	DUAL POINT HOLDER		1
1	2070	CLAW END HOLDER		1
ITEM NO.	PAC P/N	PART NAME	COLOR	Default /QTY

**NOTES:**

ALSO AVAIL:

BLACK STRAP P/N K5032B  
ORANGE STRAP P/N K5032-OR

**P**ERFORMANCE  
**A**DVANTAGE  
**C**OMPANY



**TOLERANCES UNLESS OTHERWISE SPECIFIED**

.X= ±.03  
.XX= ±.010  
.XXX= ±.005  
.XXXX= ±0.0005  
ANGLES ±0.5 °  
FRACTIONAL ±1/64

THIRD ANGLE PROJECTION



COLOR

NAME DATE

DRAWN BY

APPR. BY

MFG BY

MFG. P/N

ENG APPR.

MATERIAL

ALT. MATERIAL

FINISH

THE INFORMATION CONTAINED IN THIS DRAWING IS THE SOLE PROPERTY OF PERFORMANCE ADVANTAGE CO. ANY REPRODUCTION IN PART OR AS A WHOLE WITHOUT THE WRITTEN PERMISSION OF PERFORMANCE ADVANTAGE CO. IS PROHIBITED.

**TITLE:**

**HALLIGAN TOOL MTG. KIT**

**PART NUMBER**

**K5032**

REV

**SCALE: 1:8**

**SHEET 1 OF 2**