



HALLIGAN TOOL MOUNT P/N K5032 INSTALLATION INSTRUCTIONS

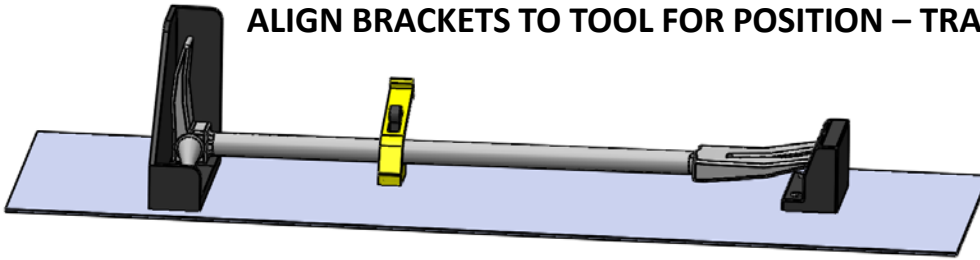
For additional assistance call 888-514-0083 between 8AM-5PM EST or email: info@pactoolmounts.com

CAUTION

To avoid the risk of personal injury, property damage or product damage, please use the included fasteners for mounting.

- * The bracket must be securely mounted to a stable surface and material.
- * When mounting bracket to PAC TRAC aluminum products P/N 7000, P/N 7020, P/N 7040, P/N 7050 with the included Trac Lok inserts P/N 7016, torque the screws to a maximum 15 in-lbs.
- * PAC recommends regular and frequent inspections to be certain of proper operation and installation.

ALIGN BRACKETS TO TOOL FOR POSITION – TRANSFER HOLE LOCATIONS



MTG. HARDWARE for PAC TRAC			QTY
	P/N 2044	#10-24 x 1-1/4 S.S. S.S. Flat Head Screw	6
	P/N 2054	#10 S.S. Washer	4
	P/N 7016	Trac Lok Insert	6

STANDARD MTG. HARDWARE			QTY
	P/N 2031	1/4-20 x 1-1/4 S.S. Flat Head Screw	4
	P/N 2069LN	1/4-20 Nut	4
	P/N 2044	#10-24 x 1-1/4 S.S. Flat Head Screw	2
	P/N 2049LN	#10-24 Nut	2

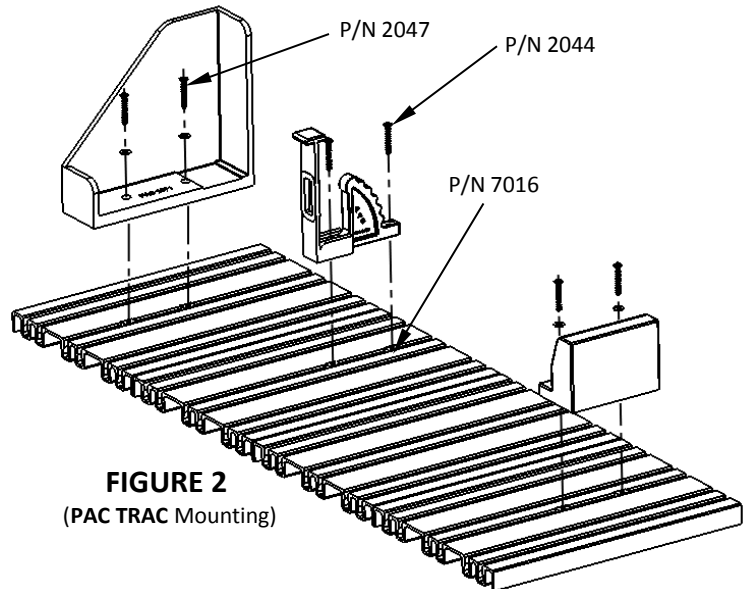


FIGURE 2
(PAC TRAC Mounting)

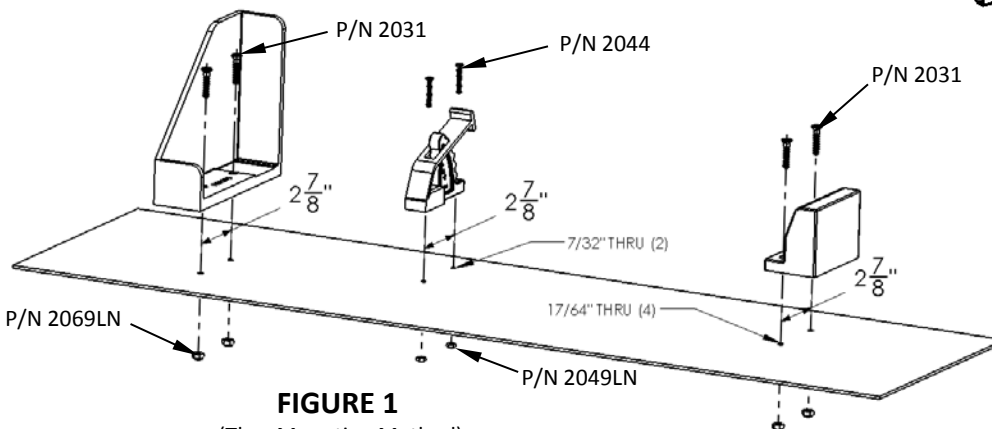


FIGURE 1
(Thru Mounting Method)