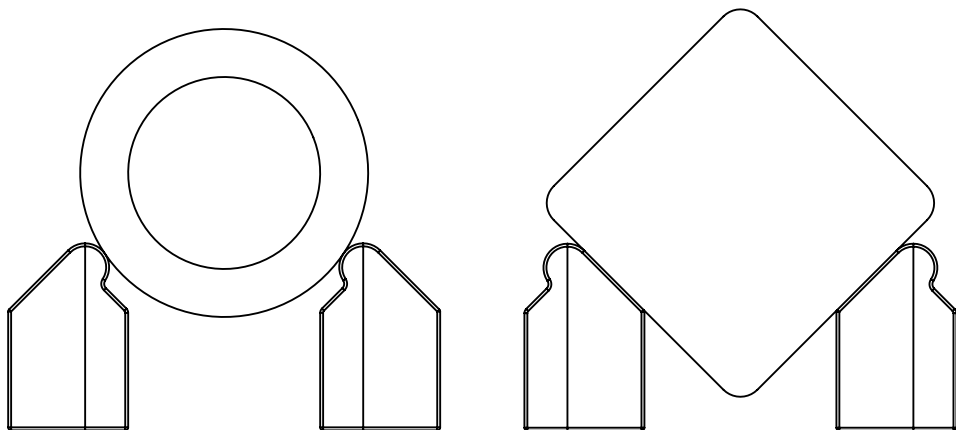
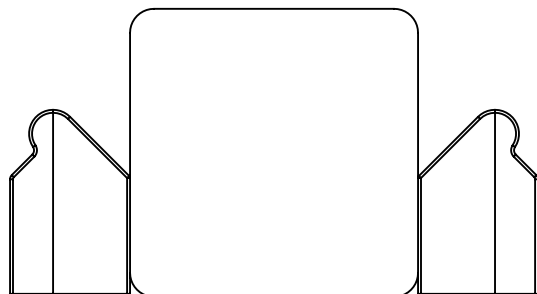


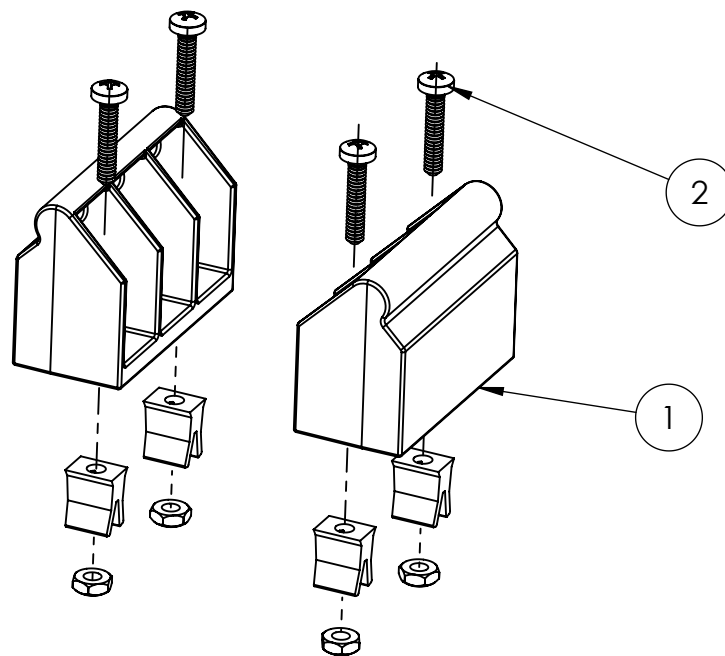
REV	DESCRIPTION	DATE	APPR



SUPPORTS ROUND AND OTHER SHAPED OBJECTS



USE AS GUIDE OR LOCATING



2	7030	FASTENER KIT	1
1	1020-206	WEDGE BLOCK	2
ITEM NO.	PAC P/N	PART NAME	Default /QTY

**NOTES:**

USE AS ACCESSORY WITH OTHER PAC BRACKETS

SOLD IN PAIRS

MOUNTS TO PAC TRAC PRODUCTS OR BOLT THROUGH

**P**ERFORMANCE  
**A**DVANTAGE  
**C**OMPANY



**TOLERANCES UNLESS OTHERWISE SPECIFIED**

.X= ± .03  
.XX= ± .010  
.XXX= ± .005  
.XXXX= ± 0.0005  
ANGLES ± 0.5 °  
FRACTIONAL ± 1/64

THIRD ANGLE PROJECTION



COLOR

NAME	DATE
DRAWN BY	
APPR. BY	
MFG BY	
MFG. P/N	
ENG APPR.	
MATERIAL	
ALT. MATERIAL	
FINISH	

THE INFORMATION CONTAINED IN THIS DRAWING IS THE SOLE PROPERTY OF PERFORMANCE ADVANTAGE CO. ANY REPRODUCTION IN PART OR AS A WHOLE WITHOUT THE WRITTEN PERMISSION OF PERFORMANCE ADVANTAGE CO. IS PROHIBITED.

**TITLE:**

WEDGE MOUNT KIT

**PART NUMBER**

K5020-906

REV

SCALE: 1:2

SHEET 1 OF 1