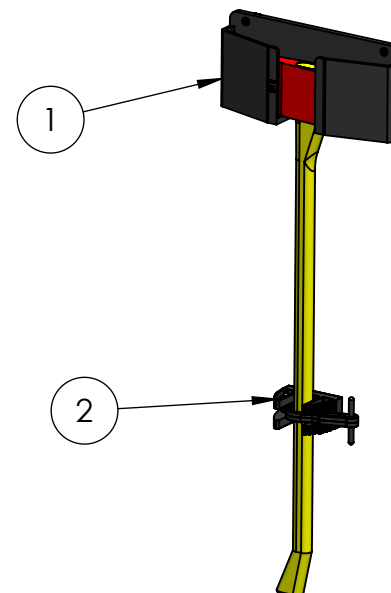
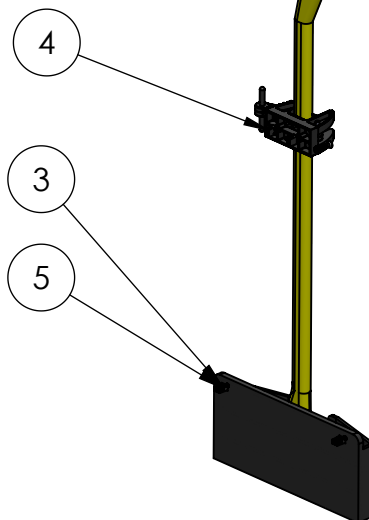
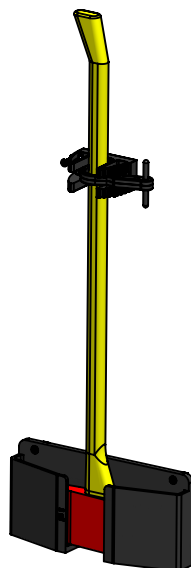
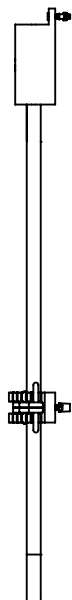
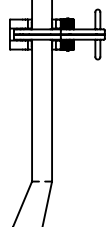
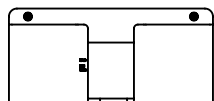
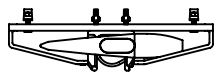


REV	DESCRIPTION	DATE	APPR



5	7021	FASTENER KIT	1
4	7023	PAC TRAC FASTENER KIT	1
3	2034	FASTENER KIT	1
2	1004BP	HANDLELOK ASSEMBLY	1
1	1012P	PICK AXE HANGER	1
ITEM NO.	PAC P/N	PART NAME	QTY

**NOTES:**

P/N K5012      BLACK STRAP  
P/N K5012-OR    ORANGE STRAP  
P/N K5012-Y      YELLOW STRAP

**P**ERFORMANCE  
**A**DVANTAGE  
**C**OMPANY



**TOLERANCES UNLESS OTHERWISE SPECIFIED**

.X= ±.03  
.XX= ±.010  
.XXX= ±.005  
.XXXX= ±0.0005  
ANGLES ±0.5 °  
FRACTIONAL ±1/64

THIRD ANGLE PROJECTION



COLOR

NAME	DATE
DRAWN BY JIM GONZALEZ	8/24/2010
APPR. BY	
MFG BY	
MFG. P/N	
ENG APPR.	
MATERIAL	
ALT. MATERIAL	
FINISH	

THE INFORMATION CONTAINED IN THIS DRAWING IS THE SOLE PROPERTY OF PERFORMANCE ADVANTAGE CO. ANY REPRODUCTION IN PART OR AS A WHOLE WITHOUT THE WRITTEN PERMISSION OF PERFORMANCE ADVANTAGE CO. IS PROHIBITED.

**TITLE:**

PICKHEAD AXE MOUNTING KIT  
BLACK STRAP

**PART NUMBER**  
K5012      REV

SCALE: 1:12

SHEET 1 OF 1