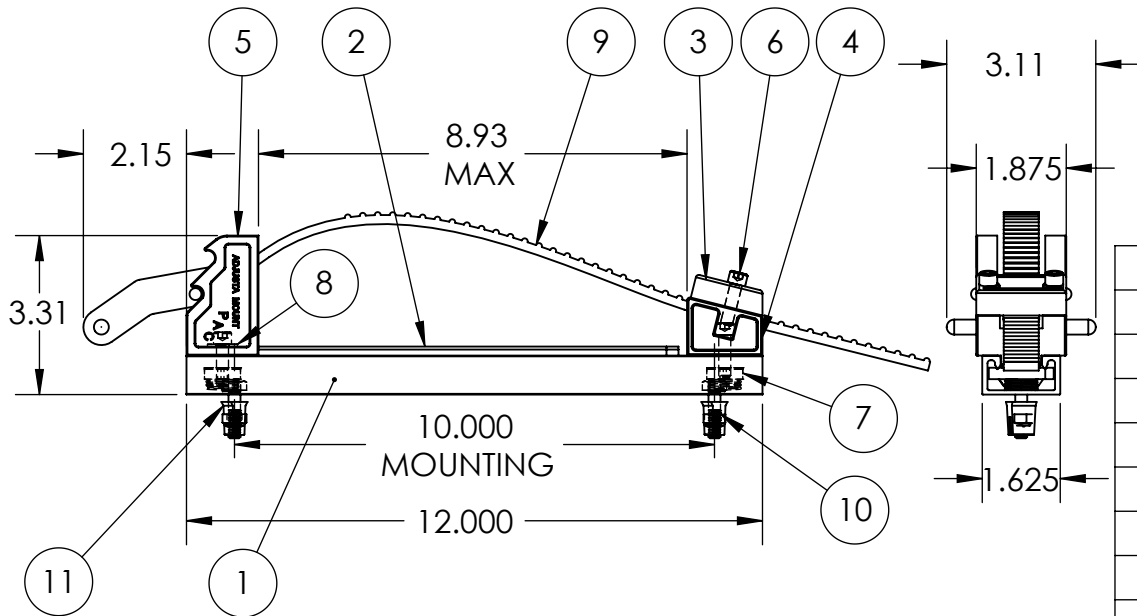
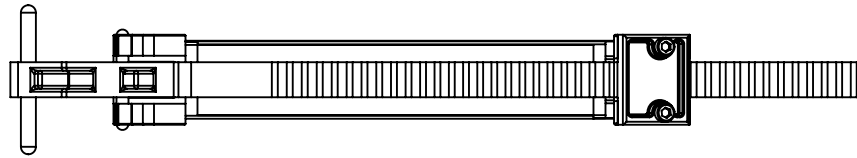


REV	DESCRIPTION	DATE	APPR



11	7029	FASTENER KIT-ADJUSTAMOUNT PT	1
10	2035	FASTENER PACK	1
9	2008	LOCK STRAP	1
8	2011	1/4" FLAT WASHER	2
7	2010	CHANNEL NUT 1/4-20	2
6	2002	1/4-20 X 7/8 S.H.C.S.	4
5	2005	LOCK END MODULE	1
4	2004	CLAMP END MODULE	1
3	2003	CLAMP TOP MODULE	1
2	1006-3	CHANNEL CUSHION	2
1	1006-1	UNI-STRUT CHANNEL	1
ITEM NO.	PAC P/N	PART NAME	QTY.

**NOTES:**

K5006 BLACK STRAP  
 K5006-Y YELLOW STRAP  
 K5006-OR ORANGE STRAP

**P**ERFORMANCE  
**A**DVANTAGE  
**C**OMPANY



**TOLERANCES UNLESS OTHERWISE SPECIFIED**

.X= ±.03  
 .XX= ±.010  
 .XXX= ±.005  
 .XXXX= ±0.0005  
 ANGLES ±0.5 °  
 FRACTIONAL ±1/64

THIRD ANGLE PROJECTION



COLOR

	NAME	DATE
DRAWN BY		
APPR. BY		
MFG BY		
MFG. P/N		
ENG APPR.		
MATERIAL		
ALT. MATERIAL		
FINISH		

THE INFORMATION CONTAINED IN THIS DRAWING IS THE SOLE PROPERTY OF PERFORMANCE ADVANTAGE CO. ANY REPRODUCTION IN PART OR AS A WHOLE WITHOUT THE WRITTEN PERMISSION OF PERFORMANCE ADVANTAGE CO. IS PROHIBITED.

**TITLE:**

**ADJUSTAMOUNT KIT**

**PART NUMBER**

**K5006**

REV

**SCALE: 1:4**

**SHEET 2 OF 2**