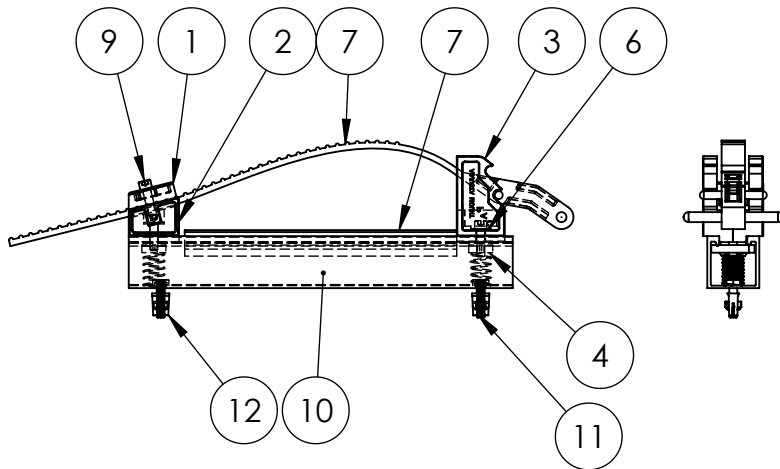
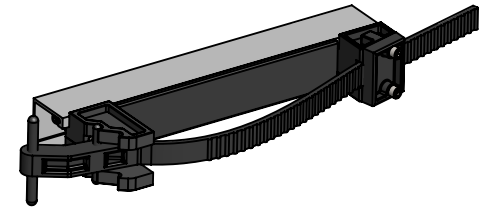
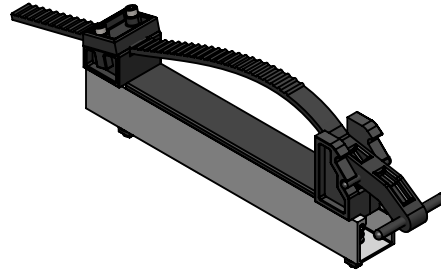
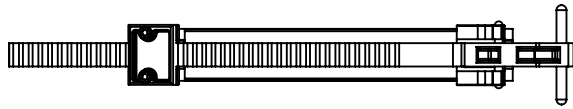


REV	DESCRIPTION	DATE	APPR



12	7029	FASTENER KIT-ADJUSTAMOUNT PT	1
11	2035	FASTENER PACK	1
10	2020-12	UNI-STRUT	1
9	2002	1/4-20 X 7/8 S.H.C.S.	4
8	2013	3/16 SHORT ARM HEX KEY	1
7	1006-3	CHANNEL CUSHION	1
6	2011	1/4" FLAT WASHER	2
5	2008	ADJUSTAMOUNT STRAP	1
4	2018	1/4-20 CHANNEL NUT	2
3	2005	LOCK END MODULE	1
2	2004	CLAMP END MODULE	1
1	2003	CLAMP TOP MODULE	1
ITEM NO.	PAC P/N	PART NAME	QTY.

NOTES:

P1000 UNI-STRUT
ALSO AVAILABLE WITH
YELLOW STRAP P/N K5006-1Y

PERFORMANCE
ADVANTAGE
COMPANY



TOLERANCES UNLESS OTHERWISE SPECIFIED

.X= ±.03
.XX= ±.010
.XXX= ±.005
.XXXX= ±0.0005
ANGLES ±0.5°
FRACTIONAL ±1/64

THIRD ANGLE
PROJECTION



COLOR

	NAME	DATE
DRAWN BY		
APPR. BY		
MFG BY		
MFG. P/N		
ENG APPR.		
MATERIAL		
ALT. MATERIAL		
FINISH		

THE INFORMATION CONTAINED IN THIS DRAWING IS THE SOLE PROPERTY OF PERFORMANCE ADVANTAGE CO. ANY REPRODUCTION IN PART OR AS A WHOLE WITHOUT THE WRITTEN PERMISSION OF PERFORMANCE ADVANTAGE CO. IS PROHIBITED.

TITLE:

ADJUSTAMOUNT KIT
P1000 UNI-STRUT

PART NUMBER

K5006-1

REV

SCALE: 1:6

SHEET 1 OF 1