



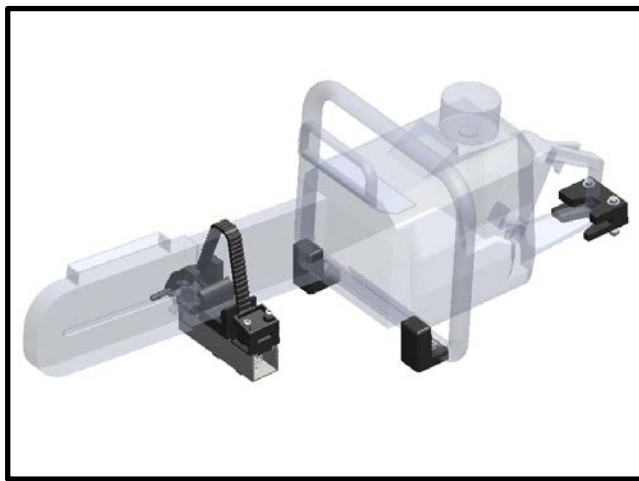
## CUTTERS EDGE MTG KIT - P/N K5025N, K5025O INSTALLATION INSTRUCTIONS

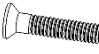




For additional assistance call 716-683-7413 between 8AM-5PM EST or email: info@pactoolmounts.com

### CAUTION

To avoid the risk of personal injury, property damage or product damage, please use the included fasteners for mounting.

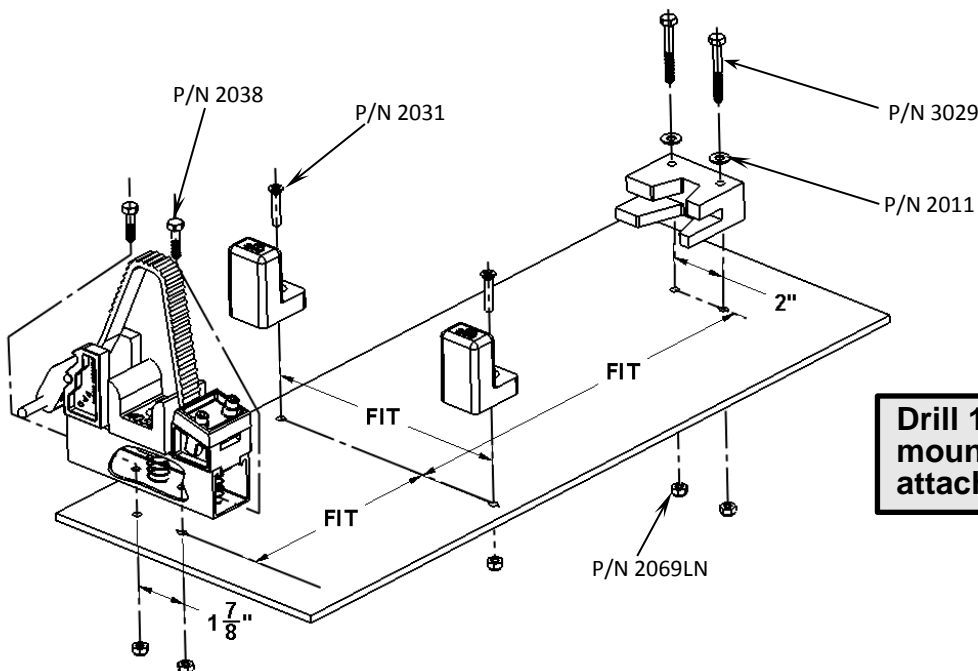
- \* The bracket must be securely mounted to a stable surface and material.
- \* Mounting brackets must be position properly to support and retain equipment securely.
- \* See Adjustamount **P/N 1006** installation sheet for setup and adjustment of strap and modules.



MOUNTING HARDWARE			QTY
NOTE: Not all included hardware in package is used			
	P/N 2031	¼-20 x 1-1/4 SS Flat Head Screw	2
	P/N 2069LN	¼-20 Nyllok Nut	6
	P/N 2011	¼" S.S. Flat Washer	2
	P/N 2038	¼-20 x 1" SS Hex Head Screw	2
	P/N 2039	¼-20 x 2" SS Hex Head Screw	2

This kit is intended to mount to a flat stable mounting surface with the included fasteners. Some components of this kit also include fasteners for mounting to PAC TRAC aluminum extrusion which are not used for this installation.

Position the bracket components around the saw as shown.. Transfer the hole locations.



**Drill 17/64" holes in mounting surface and attach base as shown.**