



**AMKUS SPREADER KIT**

**P/N K5024**



**INSTALLATION INSTRUCTIONS**



For additional assistance call 888-514-0083 between 8AM-5PM EST or email: info@pactoolmounts.com

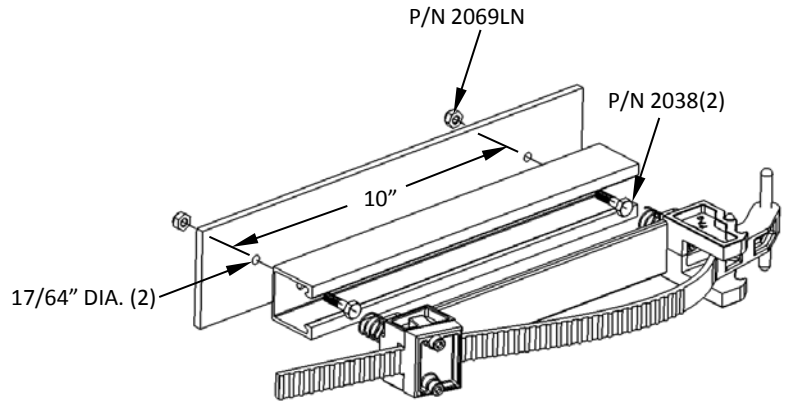
**CAUTION**

To avoid the risk of personal injury, property damage or product damage, please use the included fasteners for mounting.

- \* The bracket must be securely mounted to a stable surface and material.
- \* When mounting bracket to PAC TRAC aluminum products **P/N 7000, P/N 7020, P/N 7040, P/N 7050** with the included Trac Lok inserts **P/N 7016**, torque the screws to a maximum 15 in-lbs.
- \* PAC recommends regular and frequent inspections to be certain of proper operation and installation.

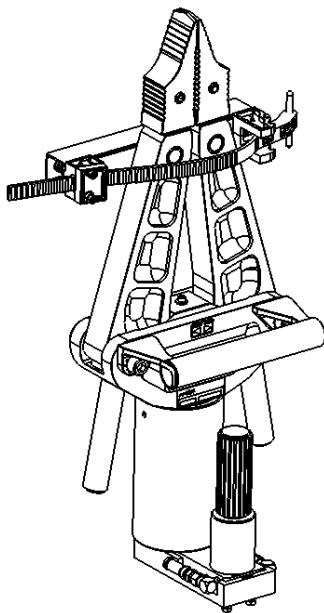
STANDARD MTG. HARDWARE		QTY
PAC Fastener Packet P/N 2035		
 P/N 2038	1/4"-20 x 1 S.S. Hex Head Screw	2
 P/N 2069LN	1/4"-20 Nylon Locking Nut	2

STANDARD MTG. HARDWARE		QTY
PAC Fastener Packet P/N 2033		
 P/N 2031	1/4"-20 x 1 S.S. Flat Head Screw	3
 P/N 2069LN	1/4"-20 Nylon Locking Nut	3

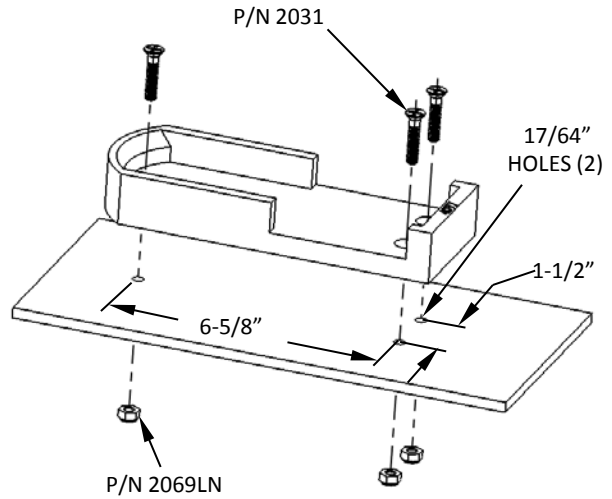


**ADJUSTAMOUNT ATTACHMENT**

(See INS-1006 for more installation information)



**AMKUS** RESCUE SYSTEMS P/N 5024 Spreader Kit



**FIGURE 1**

(Thru Mounting Method)



**AMKUS SPREADER KIT**

**P/N K5024**



**INSTALLATION INSTRUCTIONS**




For additional assistance call 888-514-0083 between 8AM-5PM EST or email: info@pactoolmounts.com

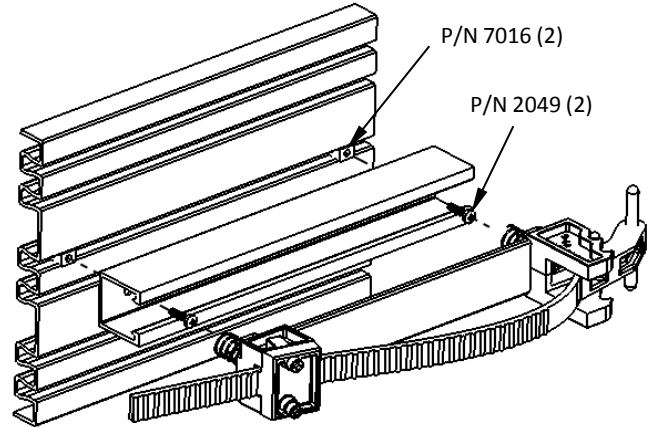
**CAUTION**

To avoid the risk of personal injury, property damage or product damage, please use the included fasteners for mounting.

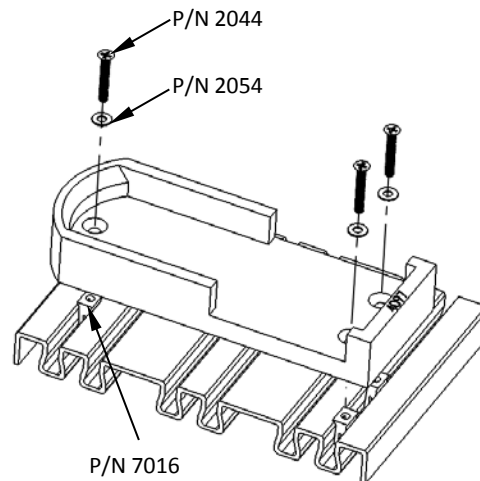
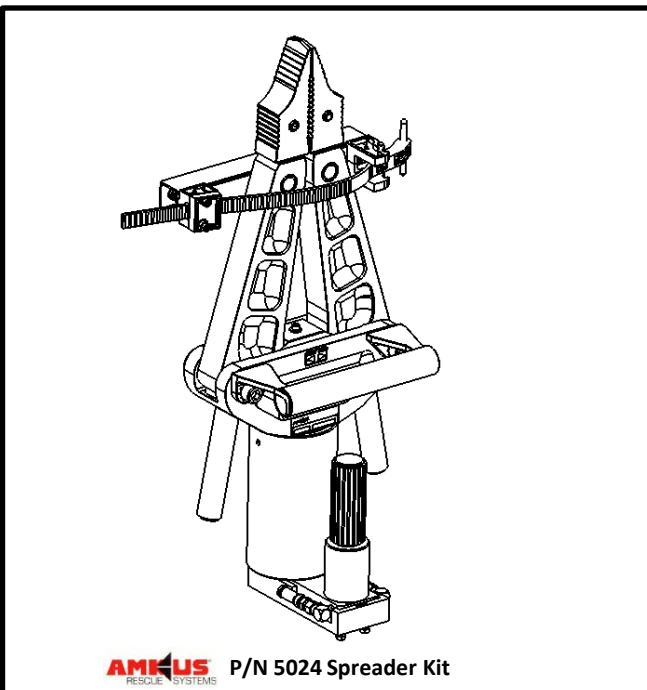
- \* The bracket must be securely mounted to a stable surface and material.
- \* When mounting bracket to PAC TRAC aluminum products **P/N 7000, P/N 7020, P/N 7040, P/N 7050** with the included Trac Lok inserts **P/N 7016**, torque the screws to a maximum 15 in-lbs.
- \* PAC recommends regular and frequent inspections to be certain of proper operation and installation.

MTG. HARDWARE for PAC TRAC PAC Fastener Packet P/N 7029			QTY
	P/N 2049	#10-24 x 3/4 S.S. Pan Head Screw	2
	P/N 7016	Trac Lok Insert	2

MTG. HARDWARE for PAC TRAC PAC Fastener Packet P/N 7026			QTY
	P/N 2044	#10-24 x 1 S.S. Flat Head Screw	3
	P/N 2054	#10 S.S. Washer	3
	P/N 7016	Trac Lok Insert	3



**ADJUSTAMOUNT ATTACHMENT**  
(See INS-1006 for more installation information)



**FIGURE 2**  
(PAC TRAC Mounting)