





AMKUS UNIVERSAL BASE KIT P/N K5021 INSTALLATION INSTRUCTIONS



For additional assistance call 888-514-0083 between 8AM-5PM EST or email: info@pactoolmounts.com

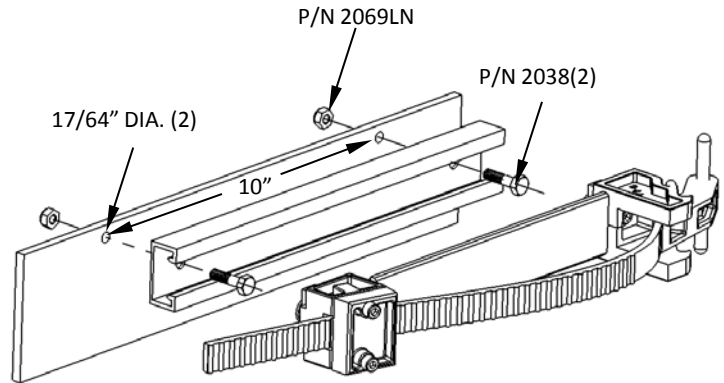
CAUTION

To avoid the risk of personal injury, property damage or product damage, please use the included fasteners for mounting.

- * The bracket must be securely mounted to a stable surface and material.
- * When mounting bracket to PAC TRAC aluminum products **P/N 7000**, **P/N 7020**, **P/N 7040**, **P/N 7050** with the included Trac Lok inserts **P/N 7016**, torque the screws to a maximum 15 in-lbs.
- * PAC recommends regular and frequent inspections to be certain of proper operation and installation.

STANDARD MTG. HARDWARE		QTY
PAC Fastener Packet P/N 2035		
 P/N 2038	1/4-20 x 1 S.S. Hex Head Screw	2
 P/N 2069LN	1/4-20 Nylon Locking Nut	2

STANDARD MTG. HARDWARE		QTY
PAC Fastener Packet P/N 2032		
 P/N 2031	1/4-20 x 1 S.S. Flat Head Screw	2
 P/N 2069LN	1/4-20 Nylon Locking Nut	2



ADJUSTAMOUNT ATTACHMENT

(See INS-1006 for more installation information)

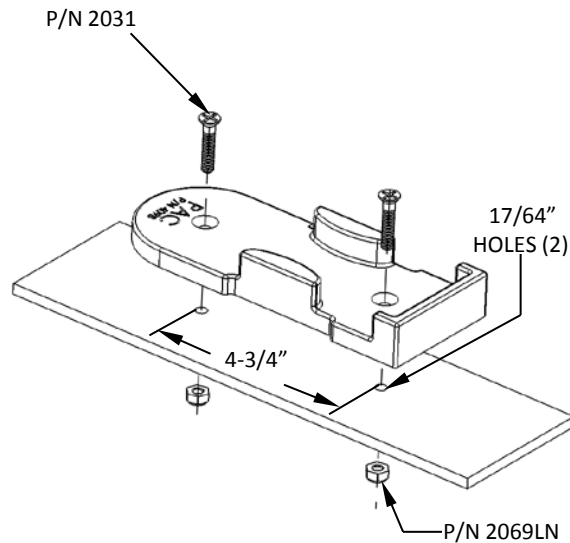
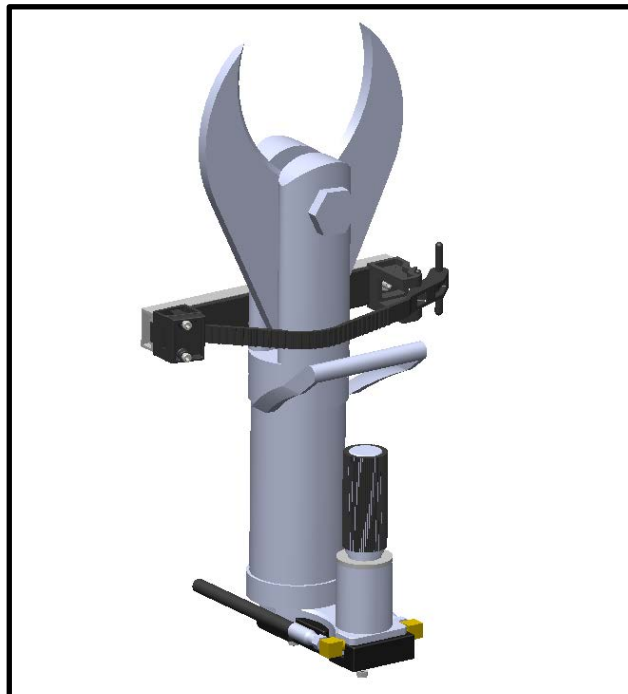


FIGURE 1
(Thru Mounting Method)





AMKUS UNIVERSAL BASE KIT P/N K5021 INSTALLATION INSTRUCTIONS




For additional assistance call 888-514-0083 between 8AM-5PM EST or email: info@pactoolmounts.com

CAUTION

To avoid the risk of personal injury, property damage or product damage, please use the included fasteners for mounting.

- * The bracket must be securely mounted to a stable surface and material.
- * When mounting bracket to PAC TRAC aluminum products **P/N 7000, P/N 7020, P/N 7040, P/N 7050** with the included Trac Lok inserts **P/N 7016**, torque the screws to a maximum 15 in-lbs.
- * PAC recommends regular and frequent inspections to be certain of proper operation and installation.

MTG. HARDWARE for PAC TRAC PAC Fastener Packet P/N 7029			QTY
	P/N 2049 #10-24 x 3/4 S.S. Pan Head Screw	2	
	P/N 7016 Trac Lok Insert	2	

MTG. HARDWARE for PAC TRAC PAC Fastener Packet P/N 7021			QTY
	P/N 2043 #10-24 x 1 S.S. Flat Head Screw	2	
	P/N 7016 Trac Lok Insert	2	
	P/N 2054 Flat Washer	2	

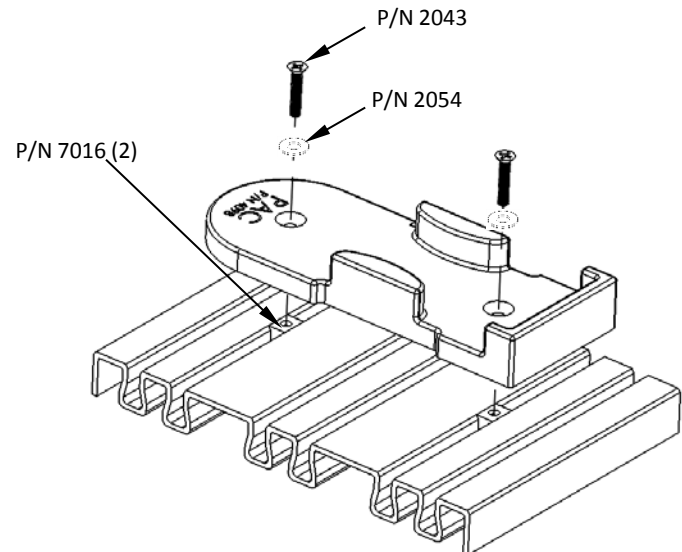
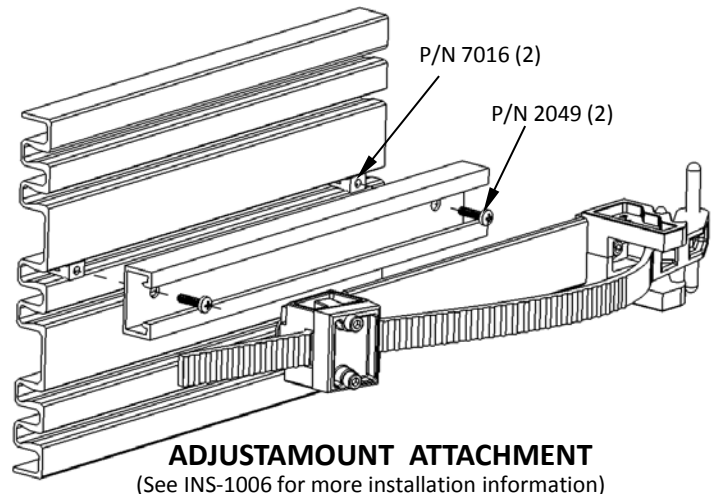


FIGURE 2
(PAC TRAC Mounting)

