



## WEDGE MT KIT P/N K5020-BLOCKS

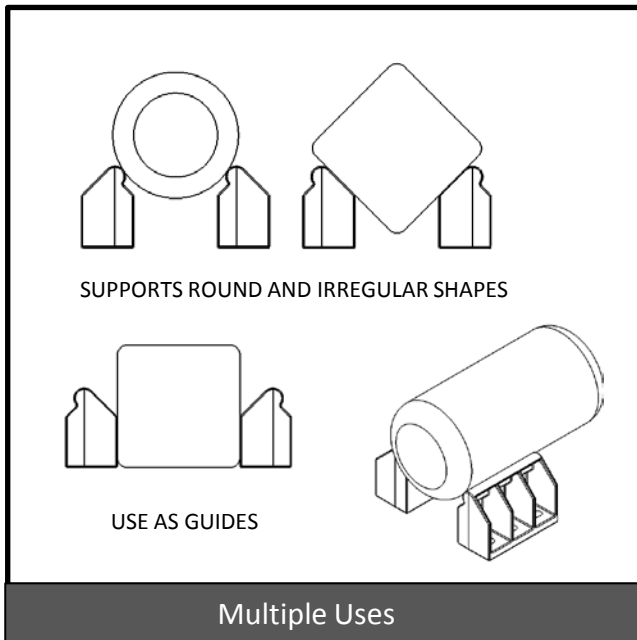
## INSTALLATION INSTRUCTIONS




For additional assistance call 888-514-0083 between 8AM-5PM EST or email: info@pactoolmounts.com

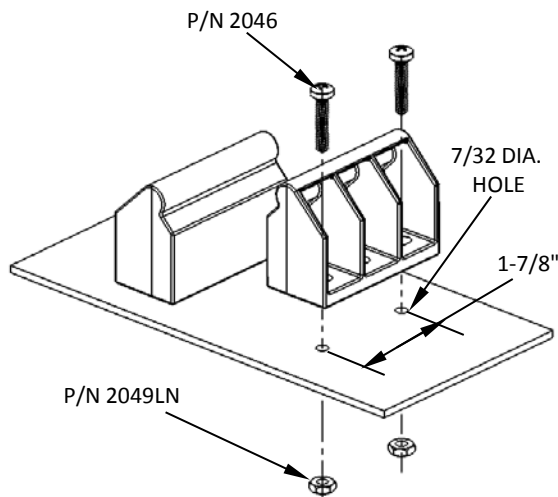
### CAUTION

To avoid the risk of personal injury, property damage or product damage, please use the included fasteners for mounting.

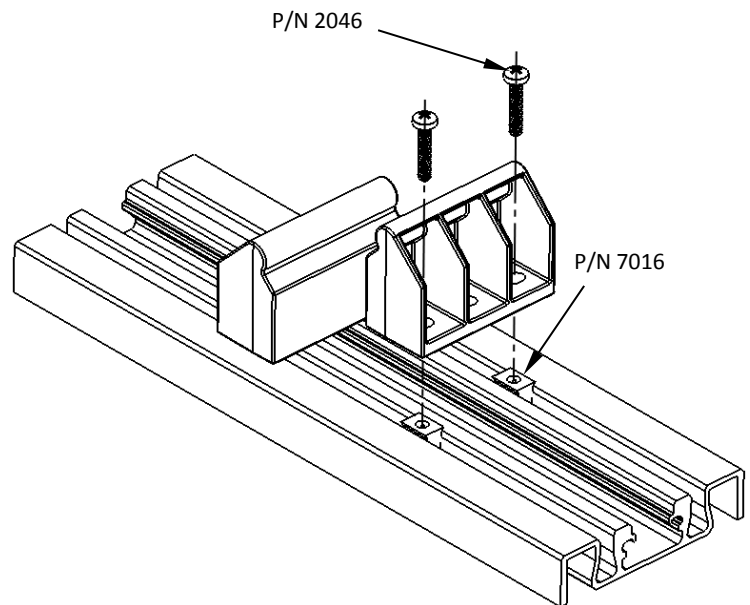
- \* The bracket must be securely mounted to a stable surface and material.
- \* When mounting bracket to PAC TRAC aluminum products **P/N 7000**, **P/N 7020**, **P/N 7040**, **P/N 7050** with the included Trac Lok inserts **P/N 7016**, torque the screws to a maximum 15 in-lbs.
- \* PAC recommends regular and frequent inspections to be certain of proper operation and installation.



MTG. HARDWARE		QTY
PAC Fastener Packet P/N 7030		
 P/N 2046	#10-24 x 1 SS Pan Head Screw	4
 P/N 2049LN	#10-24 Nylok Nut	4
 P/N 7016	Trac Lok Insert	4



**FIGURE 1**  
(Thru Mounting Method)



**FIGURE 2**  
(PAC TRAC Mounting)