



SUPER ADJUSTAMOUNTS

INSTALLATION INSTRUCTIONS

P/N 1050 P/N 1060 P/N 1050 DPT P/N 1060 DPT
 P/N K5050 P/N K5060 P/N K5050 PT P/N K5060 PT
 P/N K5050-1 P/N K5060-1 P/N K5050-1 PT P/N K5060-1 PT
 AND ALL VARIANTS

For additional assistance call (888)-514-0083 between 8AM-5PM EST or email: info@pactoolmounts.com

CAUTION

To avoid the risk of personal injury, property damage or product damage, please use the included fasteners for mounting.

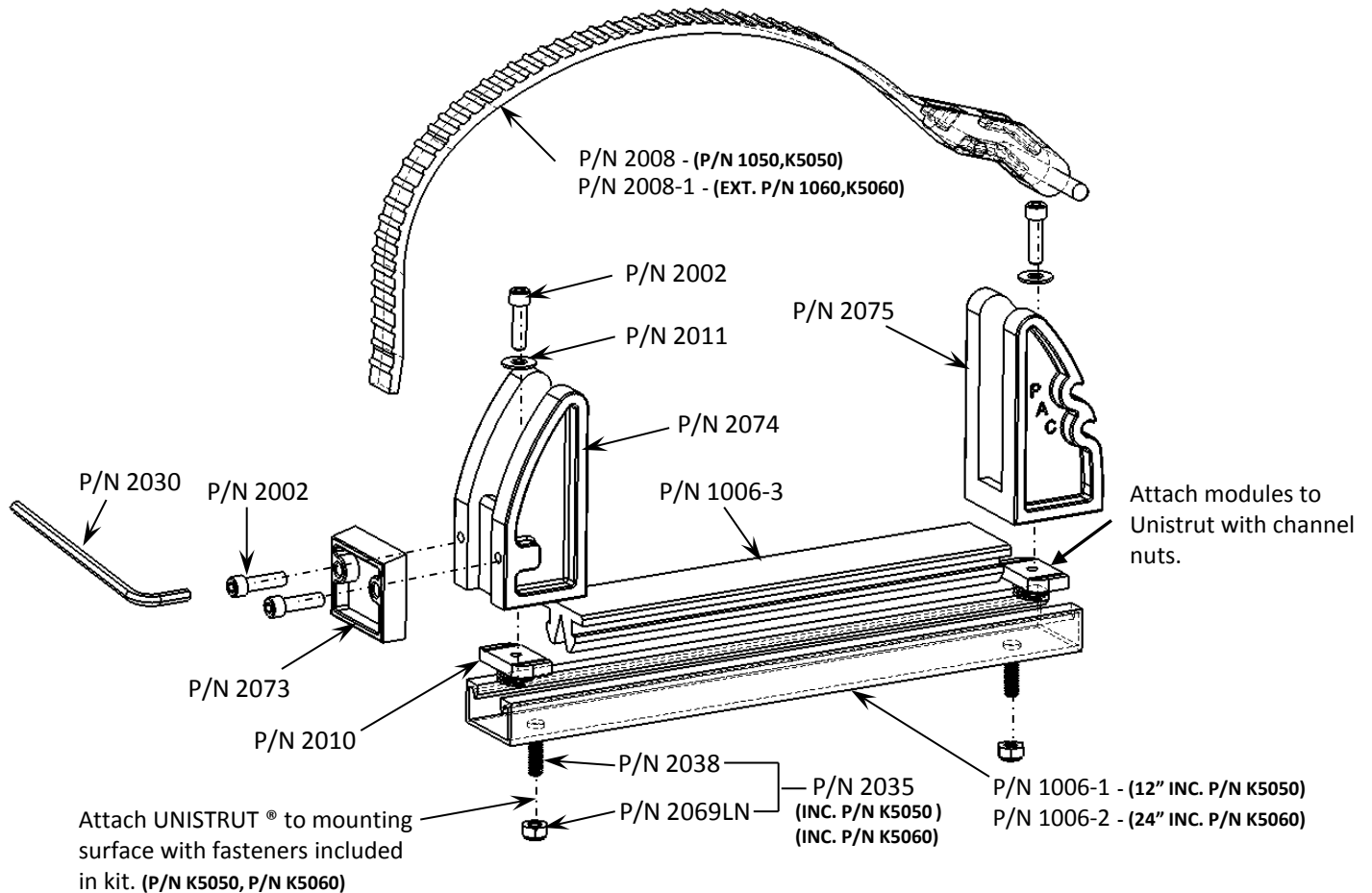
- * This product must be securely mounted to a stable surface and material.
- * Misuse of this product may result damage or injury and void warranty.
- * Verify that all fasteners have been tightened securely before putting into service.

P/N 1050, P/N K5050(KIT) SUPER ADJUSTAMOUNTS

P/N 1060, P/N K5060(KIT) EXTENDED SUPER ADJUSTAMOUNTS

Super Adjustamount brackets are intended to mount to standard 1-5/8" wide UNISTRUT® channel (not included).

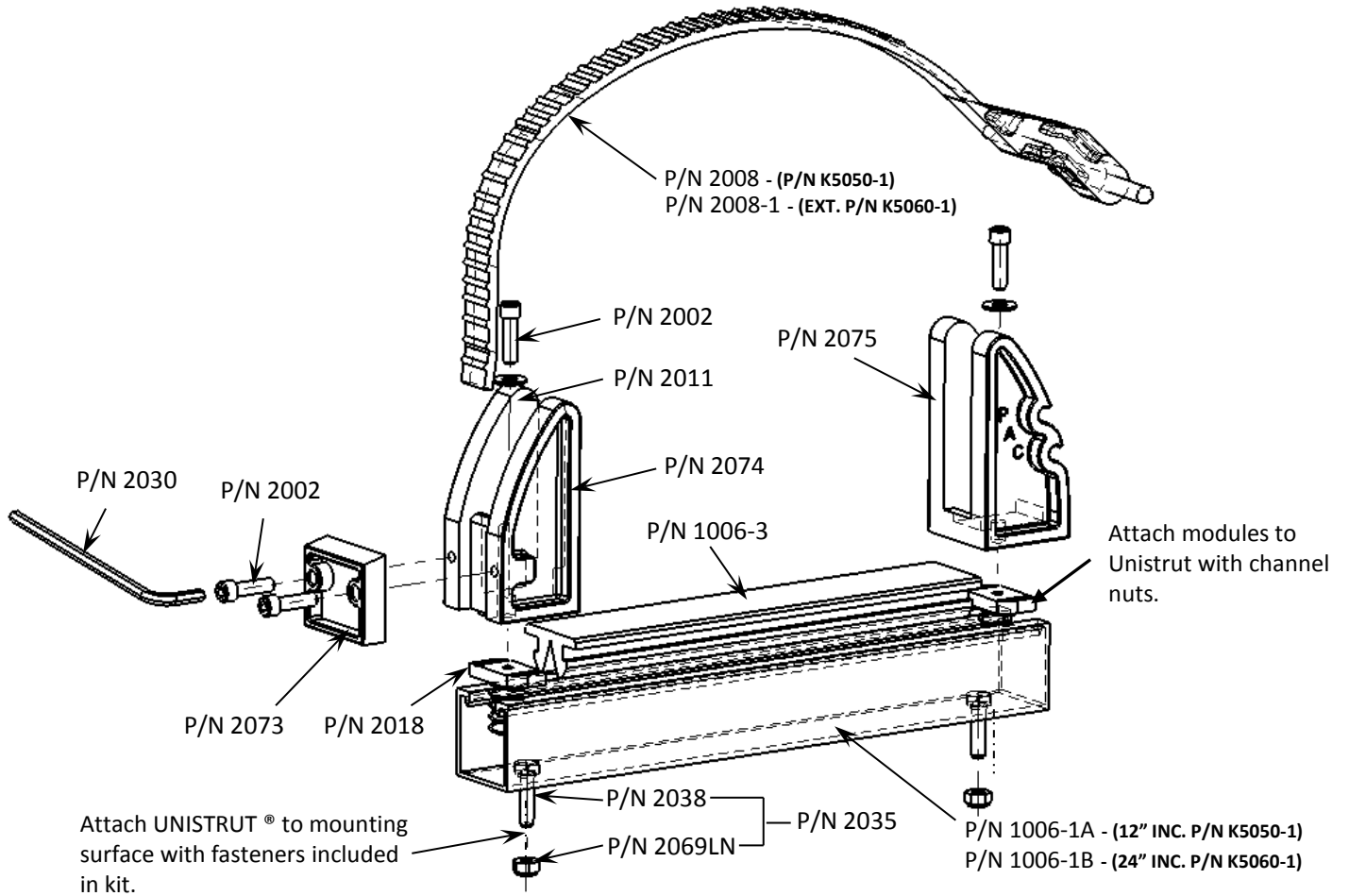
Super Adjustamount Kits include a 12"(K5050) or 24" (K5060) long section of 13/16" tall x 1-5/8" wide UNISTRUT® channel.



**P/N K5050-1
SUPER ADJUSTAMOUNT HD KIT**

**P/N K5060-1
EXTENDED SUPER ADJUSTAMOUNT HD KIT**

Super Adjustamount (HD) Kits include larger Uni-Strut® channel (1-5/8" x 1-5/8")

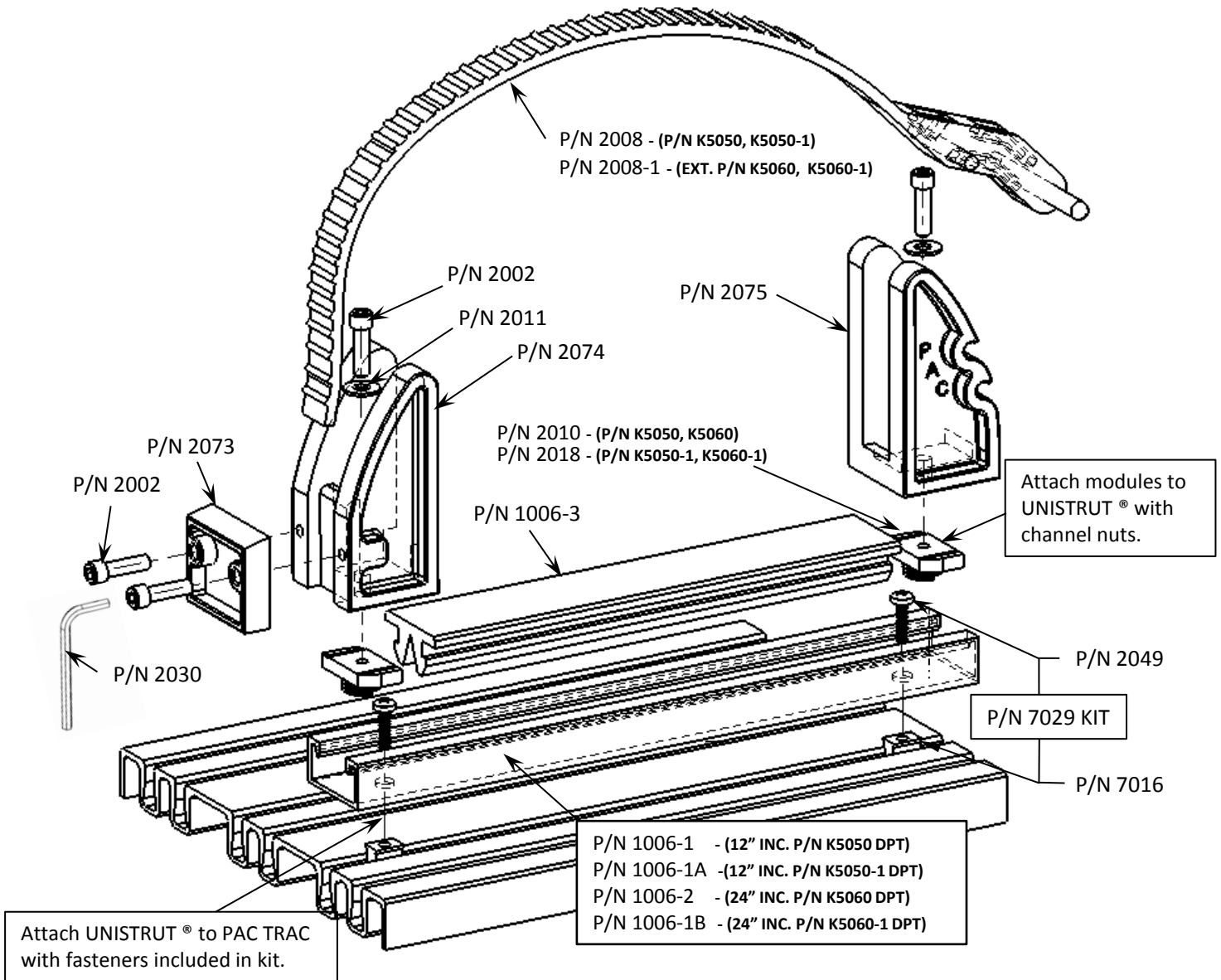


P/N K5050 PT
P/N K5060 PT

P/N K5050-1 PT
P/N K5060-1 PT

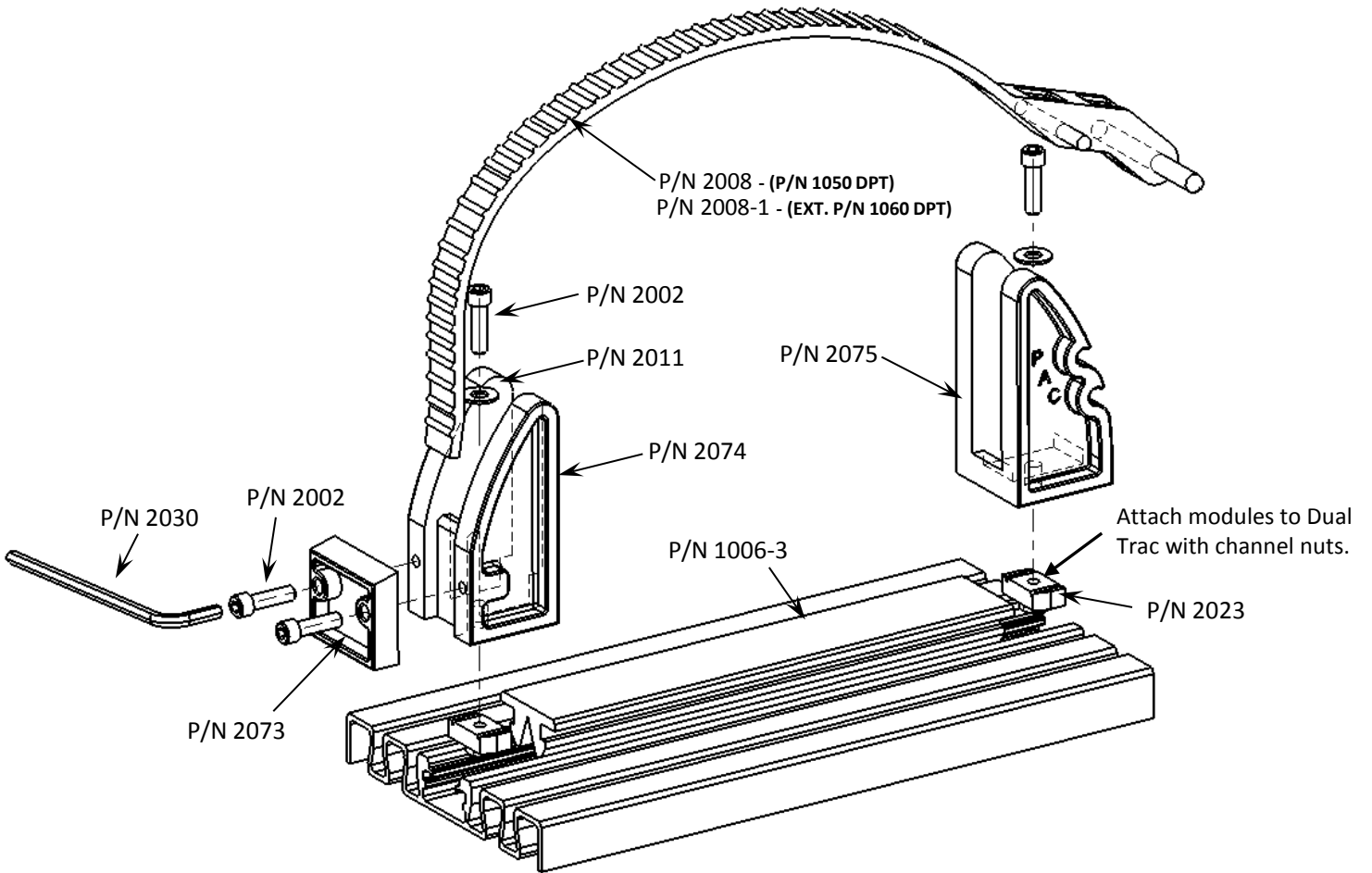
**SUPER ADJUSTAMOUNT KITS
PAC TRAC (PT) MOUNTING OPTION**

Super Adjustamount Kit (PT) brackets are intended to mount to **PAC TRAC (P/N 7000)**, **PAC DUAL TRAC (P/N 7020)**, **DOUBLE FACE DUAL TRAC (P/N 7040)** aluminum extrusions (sold separately).



Place Trac Lok inserts **P/N 7016** into channel on **PAC TRAC** in desired location and attach UNISTRUT® with screws. Tighten to a maximum 15 in-lbs

Super Adjustamount (DPT) brackets are intended to mount to PAC DUAL TRAC (P/N 7020) aluminum extrusion (sold separately)



Place channel nuts **P/N 2023** into channel on **PAC DUAL TRAC** in desired location and attach modules with screws. Tighten to a maximum 25 in-lbs