



SUPER ADJUSTAMOUNT SPACER P/N 1006-4

INSTALLATION INSTRUCTIONS

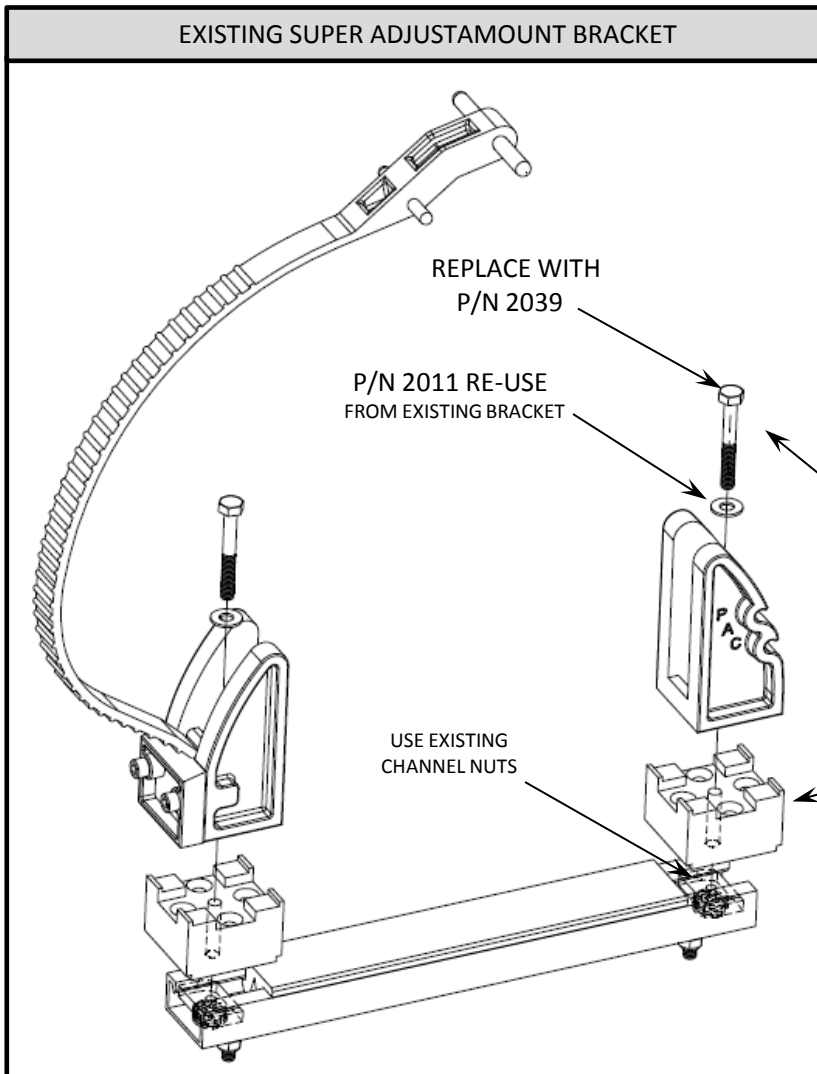
For additional assistance call (888)-514-0083 between 8AM-5PM EST or email: info@pactoolmounts.com

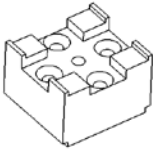

CAUTION

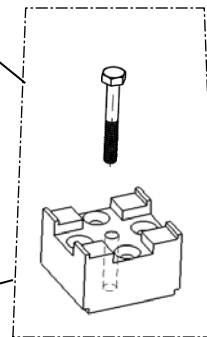
To avoid the risk of personal injury, property damage or product damage, please use the included fasteners for mounting.

- * This product must be securely mounted to a stable surface and material.
- * Misuse of this product may result damage or injury and void warranty.
- * Verify that all fasteners have been tightened securely before putting into service.

Super Adjustamount Spacers work with all Super Adjustamount brackets. With the spacers in place, end modules can secure taller items as well as provide increased hand clearance for securing the lock strap. Spacers can be utilized in either or both ends (shown below).



| SUPER ADJUSTAMOUNT SPACER | | QTY |
|--|------------------------------------|-----|
|  | P/N 1006-4P Spacer | 1 |
|  | P/N 2039 ¼-20 x 2 S.S. Hex Bolt | 1 |



Tighten screws to secure modules in place. See instructions for Super Adjustamount Bracket for additional information and part numbers.