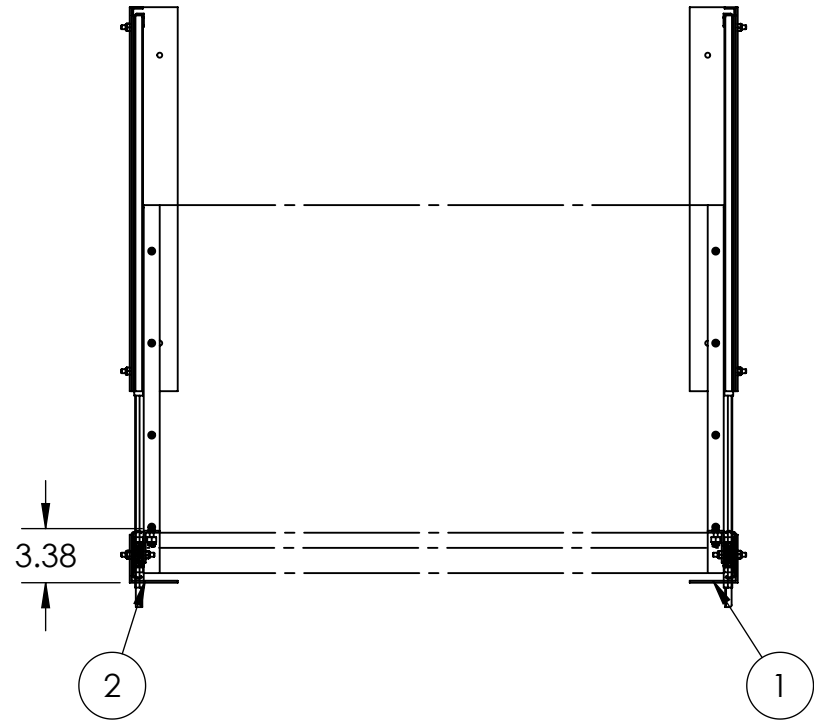
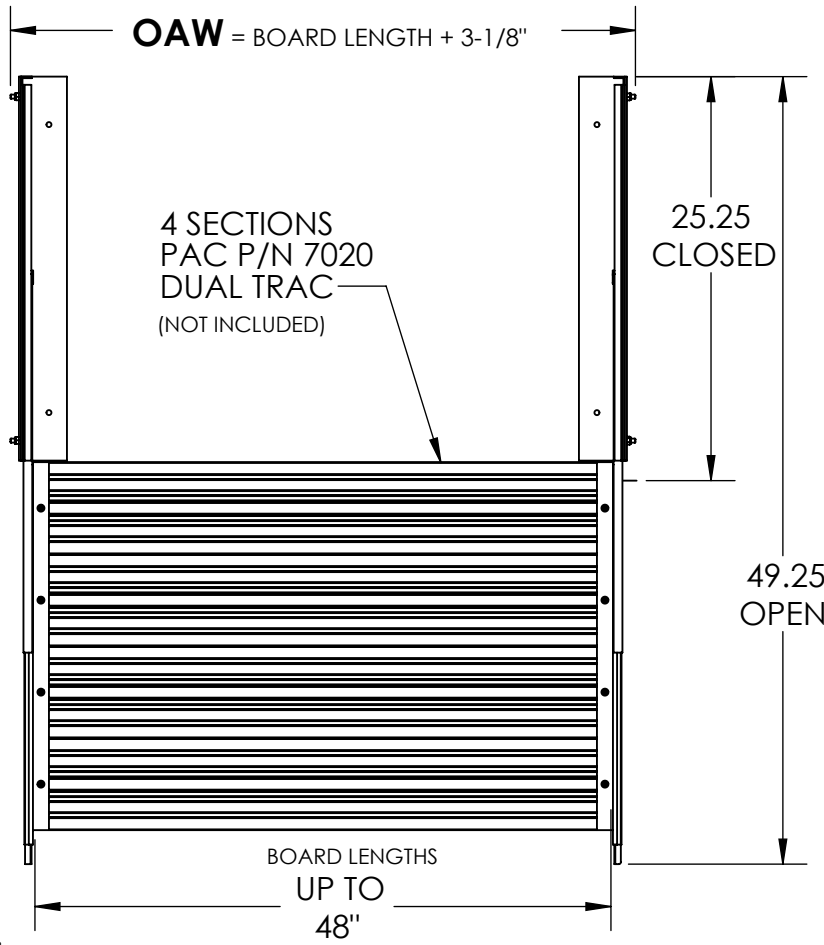


REV	DESCRIPTION	DATE	APPR



NOTES:

BOARD MATERIAL: (ORDER SEPARATELY)
P/N 7020 DUAL TRAC - 4 SECTIONS REQ'D (MAX. = 48")

LOAD CAPACITY: (INCLUDING BOARD WEIGHT)
MAX. LOAD 400LBS AT FULL 24" EXTENSION

SPACE REQUIREMENTS:

OAW=7020 CUT LG + 3-1/8"
MIN. DEPTH REQ'D = 25-3/8"
MIN. HGT REQ'D = 3-3/8"

FEATURES:

LOCK IN/ LOCK OUT

ITEM NO.	PAC P/N	PART NAME	QTY
2	HSO-24-903	SLIDE ASSEMBLY LOCKING LH	1
1	HSO-24-901	SLIDE ASSEMBLY LOCKING RH	1

**PERFORMANCE
ADVANTAGE
COMPANY**



TOLERANCES UNLESS OTHERWISE SPECIFIED

.X = ±.03
.XX = ±.010
.XXX = ±.005
.XXXX = ±0.0005
ANGLES ±0.5°
FRACTIONAL ±1/64

THIRD ANGLE PROJECTION



COLOR

NAME	DATE
DRAWN BY: JPG	11-8-13
APPR. BY:	
MFG BY:	
MFG. P/N:	
ENG APPR.:	
MATERIAL:	
ALT. MATERIAL:	
FINISH:	

THE INFORMATION CONTAINED IN THIS DRAWING IS THE SOLE PROPERTY OF PERFORMANCE ADVANTAGE CO. ANY REPRODUCTION IN PART OR AS A WHOLE WITHOUT THE WRITTEN PERMISSION OF PERFORMANCE ADVANTAGE CO. IS PROHIBITED.

TITLE:

HORIZONTAL SLIDE OUT
4 SECTION 24" TRAVEL

PART NUMBER

HSO-24

REV

SCALE: 1:12

SHEET 1 OF 1