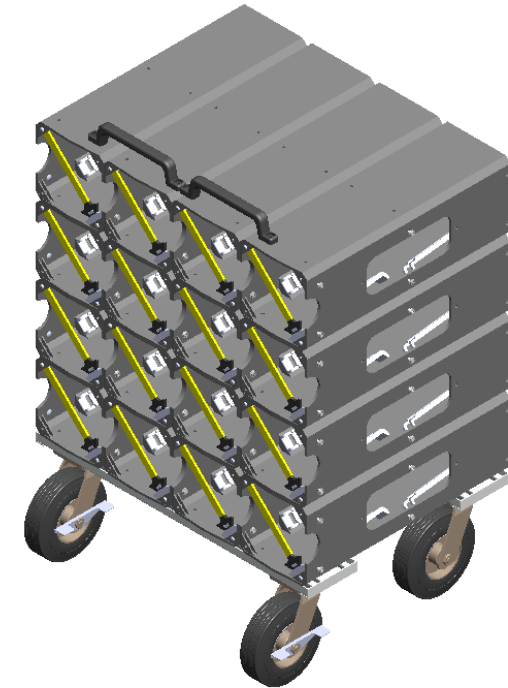
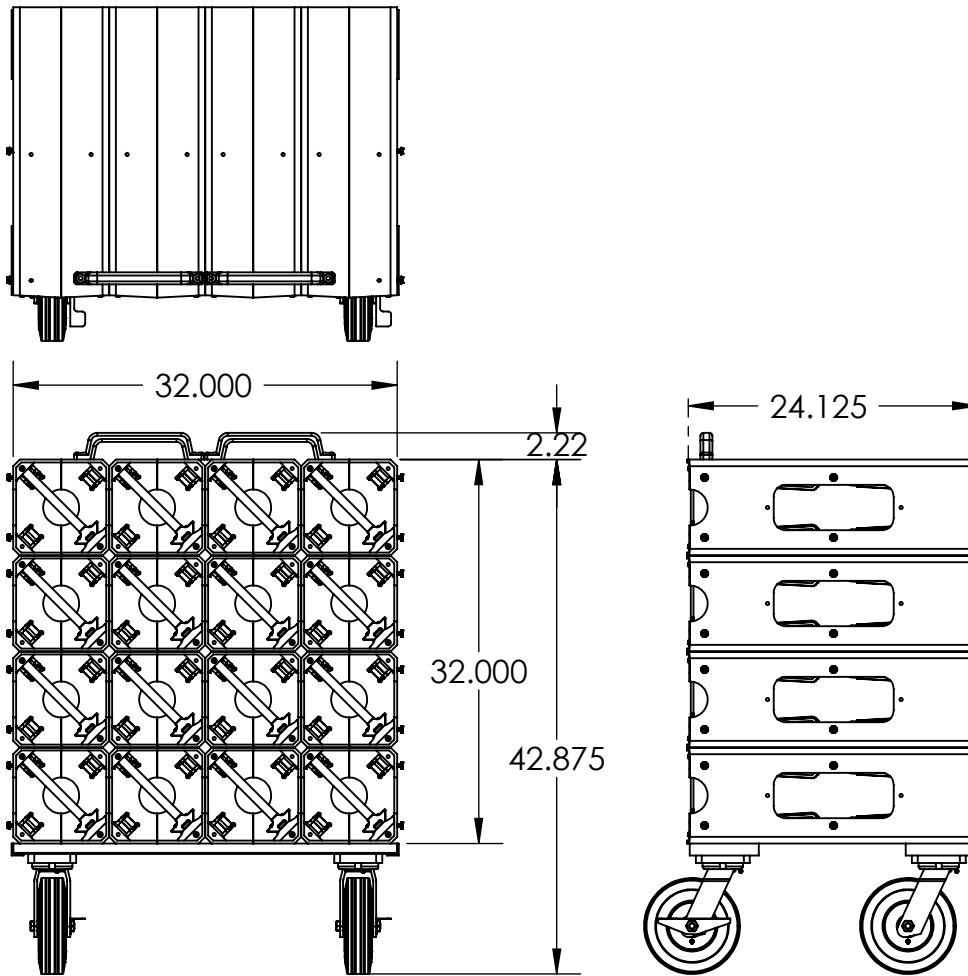


REV	DESCRIPTION	DATE	APPR



NOTES:

**Performance
Advantage
Company**



TOLERANCES UNLESS OTHERWISE SPECIFIED

- .X = ± .03
- .XX = ± .010
- .XXX = ± .005
- .XXXX = ± 0.0005
- ANGLES ± 0.5 °
- FRACTIONAL ± 1/64

THIRD ANGLE PROJECTION



COLOR

	NAME	DATE
DRAWN BY		
APPR. BY		
MFG BY		
MFG. P/N		
ENG APPR.		
MATERIAL		
ALT. MATERIAL		
FINISH		

THE INFORMATION CONTAINED IN THIS DRAWING IS THE SOLE PROPERTY OF PERFORMANCE ADVANTAGE CO. ANY REPRODUCTION IN PART OR AS A WHOLE WITHOUT THE WRITTEN PERMISSION OF PERFORMANCE ADVANTAGE CO. IS PROHIBITED.

TITLE:

**CYLINDER MATE MOBILE
(16 PACK)**

PART NUMBER
CM6000-16

REV

SCALE: 1:16

SHEET 1 OF 1