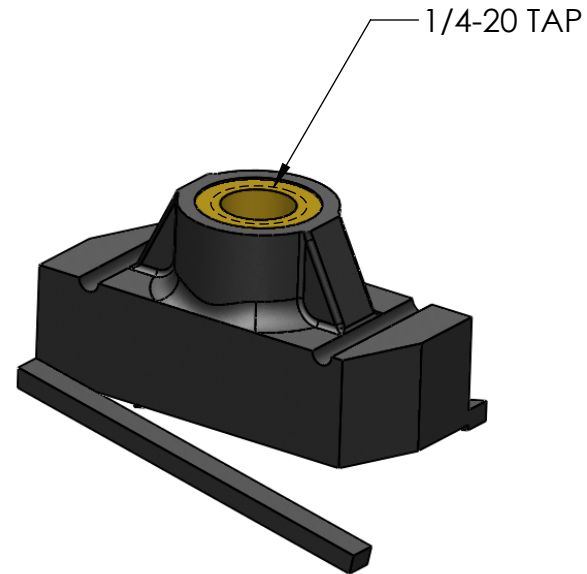
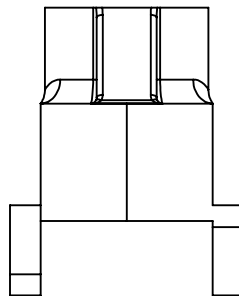
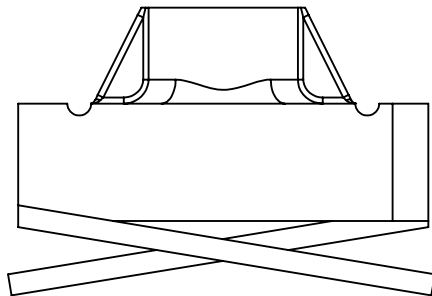
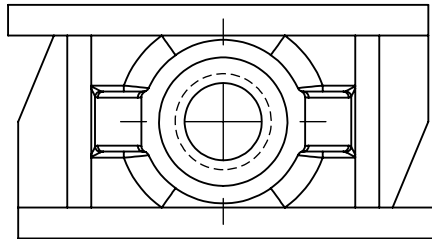


REV	DESCRIPTION	DATE	APPR



NOTES:

FOR USE WITH PAC PRODUCTS:

- P/N 7020 DUAL TRAC
- P/N 7040 DOUBLE FACE DUAL TRAC
- P/N 7050 MINI DUAL TRAC

**Performance
Advantage
Company**



TOLERANCES UNLESS OTHERWISE SPECIFIED

- .X= ± .03
- .XX= ± .010
- .XXX= ± .005
- .XXXX= ± 0.0005
- ANGLES ± 0.5 °
- FRACTIONAL ± 1/64

THIRD ANGLE PROJECTION



COLOR

	NAME	DATE
DRAWN BY		
APPR. BY		
MFG BY		
MFG. P/N		
ENG APPR.		
MATERIAL		
ALT. MATERIAL		
FINISH		

THE INFORMATION CONTAINED IN THIS DRAWING IS THE SOLE PROPERTY OF **PERFORMANCE ADVANTAGE CO.** ANY REPRODUCTION IN PART OR AS A WHOLE WITHOUT THE WRITTEN PERMISSION OF PERFORMANCE ADVANTAGE CO. IS PROHIBITED.

TITLE:

1/4-20 CHANNEL NUT

PART NUMBER

3024

REV

SCALE: 2:1

SHEET 1 OF 1