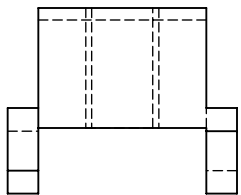
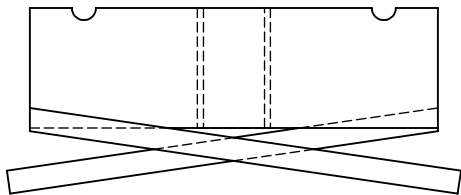
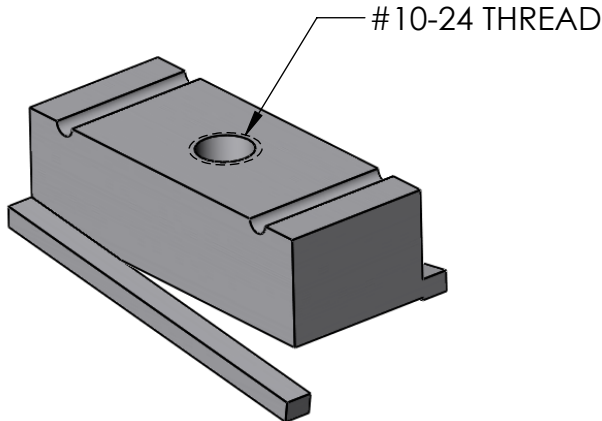
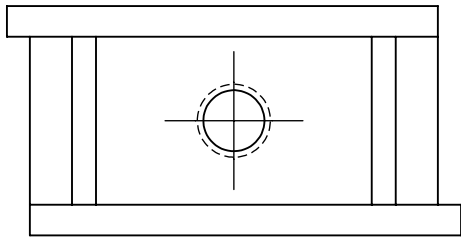


| REV | DESCRIPTION | DATE | APPR |
|-----|-------------|------|------|
| | | | |



NOTES:

FOR USE WITH PAC PRODUCTS:

- P/N 7020 DUAL TRAC
- P/N 7040 DOUBLE FACE DUAL TRAC
- P/N 7050 MINI DUAL TRAC

**Performance
Advantage
Company**



TOLERANCES UNLESS OTHERWISE SPECIFIED

- .X= ± .03
- .XX= ± .010
- .XXX= ± .005
- .XXXX= ± 0.0005
- ANGLES ± 0.5 °
- FRACTIONAL ± 1/64

THIRD ANGLE PROJECTION



COLOR

| NAME | DATE |
|---------------|-------------|
| DRAWN BY | |
| APPR. BY | |
| MFG BY | PM PLASTICS |
| MFG. P/N | |
| ENG APPR. | |
| MATERIAL | NYLON |
| ALT. MATERIAL | |
| FINISH | |

THE INFORMATION CONTAINED IN THIS DRAWING IS THE SOLE PROPERTY OF PERFORMANCE ADVANTAGE CO. ANY REPRODUCTION IN PART OR AS A WHOLE WITHOUT THE WRITTEN PERMISSION OF PERFORMANCE ADVANTAGE CO. IS PROHIBITED.

TITLE:

CHANNEL NUT

| | |
|--------------------|-----|
| PART NUMBER | REV |
| 3023 | |

SCALE: 2:1 SHEET 1 OF 1