



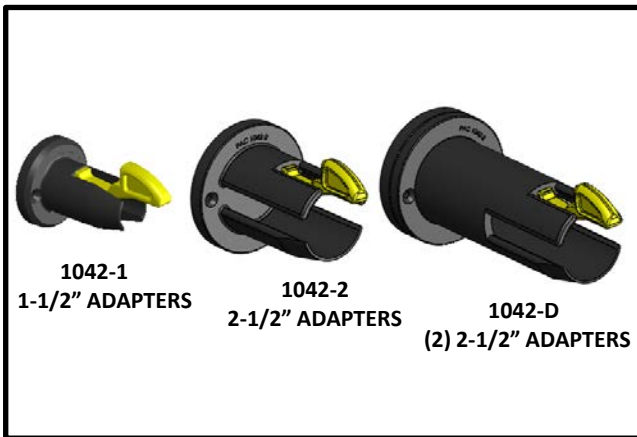
ADAPTER LOKS P/N 1042-1, -2, -D INSTALLATION INSTRUCTIONS

For additional assistance call 888-514-0083 between 8AM-5PM EST or email: info@pactoolmounts.com

CAUTION

To avoid the risk of personal injury, property damage or product damage, please use the included fasteners for mounting.

- * The bracket must be securely mounted to a stable surface and material.
- * When mounting bracket to PAC TRAC aluminum products P/N 7000, P/N 7020, P/N 7040, P/N 7050 with the included Trac Lok inserts P/N 7016, torque the screws to a maximum 15 in-lbs.
- * PAC recommends regular and frequent inspections to be certain of proper operation and installation.



MTG. HARDWARE		QTY
PAC Fastener Packet P/N 7046		
	P/N 2043 #10-24 x 1 S.S. Flat Head Screw	2
	P/N 2049LN #10-24 S.S. Locking Hex Nut	2
	P/N 7016 Trac Lok Insert	2
	P/N 2091 #10-24 x 1-1/2 S.S. Flat Head Screw	2

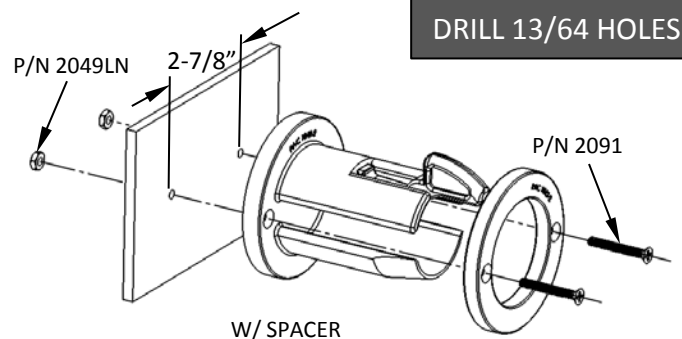
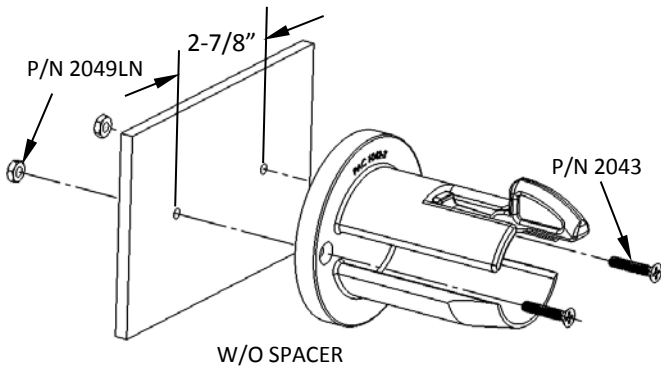


FIGURE 1
(Thru Mounting Method)

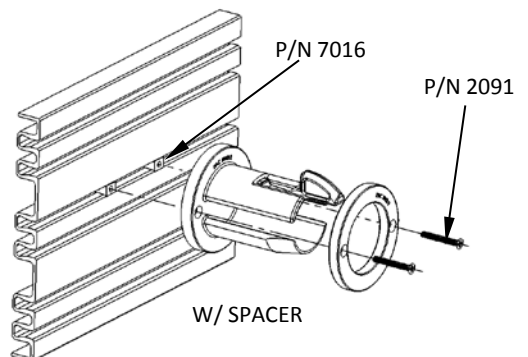
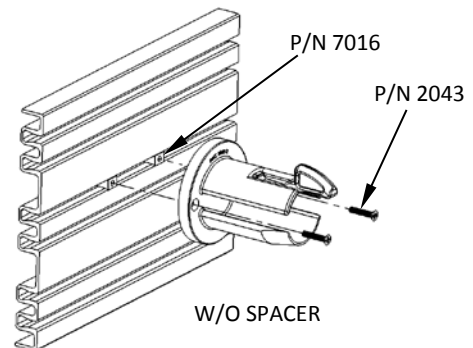


FIGURE 2
(PAC TRAC Mounting)

DRILL 13/64 HOLES