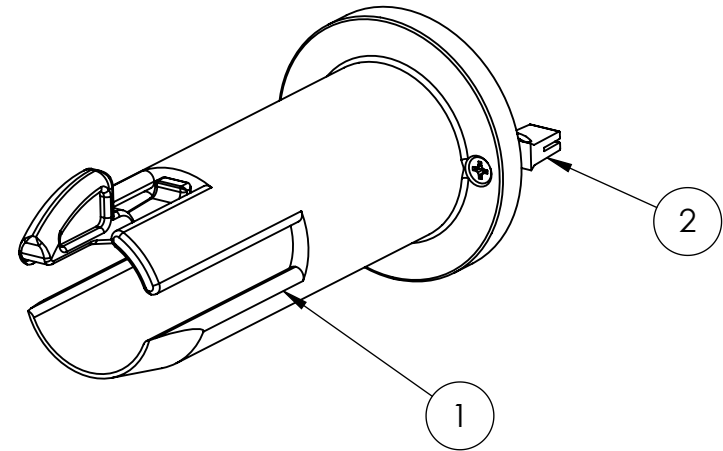
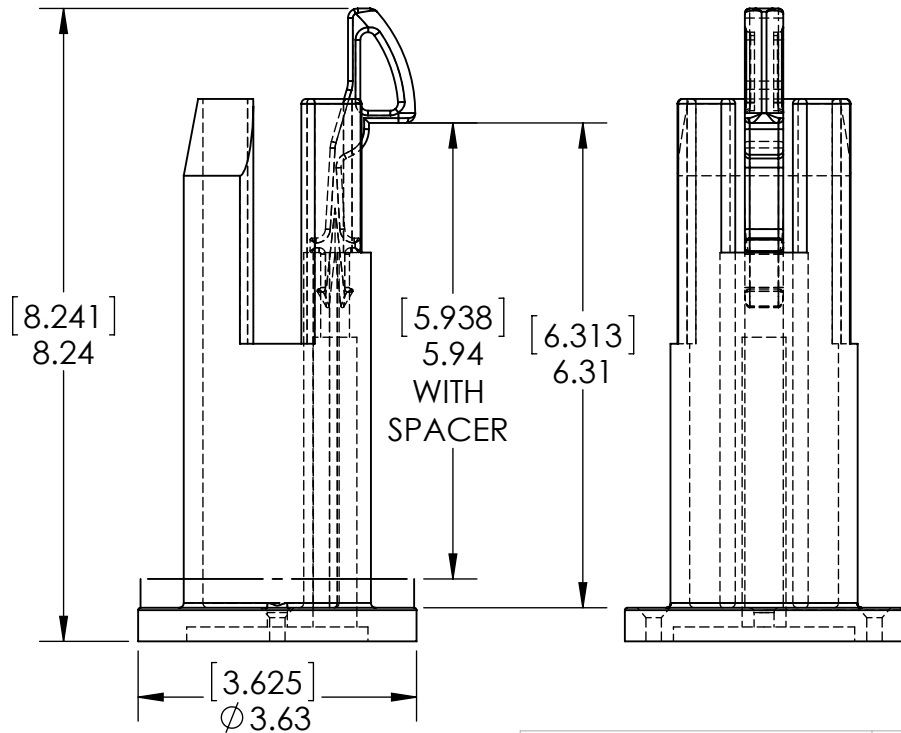
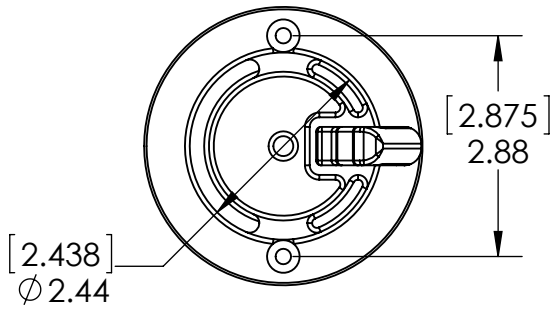


REV	DESCRIPTION	DATE	APPR
		-	



2	7046	FASTENER PACK	1
1	1042-DP	DUAL ADAPTER LOK	1
ITEM NO.	PAC P/N	PART NAME	QTY.

**NOTES:**

6-5/16 MAX LOCK HEIGHT

FOR DUAL HOLDING

**P**ERFORMANCE  
**A**DVANTAGE  
**C**OMPANY



**TOLERANCES UNLESS OTHERWISE SPECIFIED**

.X= ± .03  
.XX= ± .010  
.XXX= ± .005  
.XXXX= ± 0.0005  
ANGLES ± 0.5 °  
FRACTIONAL ± 1/64

THIRD ANGLE PROJECTION



COLOR

	NAME	DATE
DRAWN BY	JPG	2/10/2010
APPR. BY	REY	
MFG BY	RODGARD	
MFG. P/N		
ENG APPR.		
MATERIAL		
ALT. MATERIAL		
FINISH		

THE INFORMATION CONTAINED IN THIS DRAWING IS THE SOLE PROPERTY OF PERFORMANCE ADVANTAGE CO. ANY REPRODUCTION IN PART OR AS A WHOLE WITHOUT THE WRITTEN PERMISSION OF PERFORMANCE ADVANTAGE CO. IS PROHIBITED.

**TITLE:**

DUAL ADAPTER LOK

**PART NUMBER**

1042-D

REV

SCALE: 1:2.5

SHEET 1 OF 2